






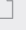

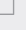

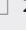

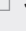



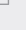
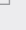

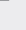

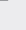

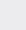

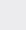

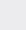

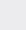

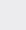

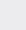

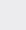

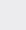

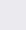

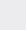
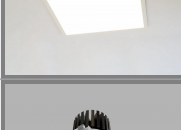
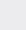

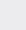

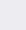

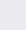

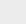







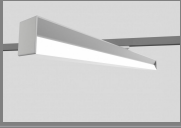




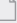





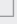

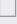

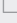

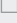

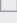

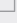

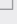

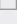

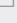

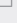

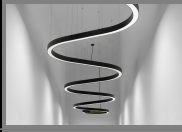











Singleluminaires

Basi		 4	Basi2.0		 6
Burbu		 8	Drob		 12
Fini		 16	Gatu		 28
Huge		 35	Ilbi		 41
Ilbi+		 44	Indi		 47
Ineli		 49	Kopti		 53
Kvado		 55	Legio		 59
Leira		 63	Lina28		 73
Lina35		 80	Lina45		 102
Lina45-T		 120	Lina60		 123
Lina60-T		 146	Lina80		 148
Pleki		 186	Puri		 188
Ravo		 194	Ravo-C		 198
Rofo		 200	Rotao100		 207

Rotao60		 211	Rundo		 216
Sant		 231	Sant-T		 241
Shift		 243	Shift-C		 249
Sineli		 252	Stan		 255
Stret		 266	Styrk		 269
Ture		 271	Ture-C		 276
Vali		 281	Vali55		 284
Vali55-T		 288	Vali80		 292
Vali80-T		 296	Zuli		 300

Systemluminaires

Flumo100-S		20	Flumo60-S		24
Global Trac		32	Lina35-S		95
Lina45-S		111	Lina60-S		131
Lina80-S		163	Mila-S		183
Sant-S		234	Unda-S		278
Zuli-S		310			



Type of installation	Surface, Suspended
Light distribution	Direct, Direct-indirect
Colour of the luminaires	Black, Silver, White
Colour Temperature	3000 K warm white, 4000 K cool white
Material	Aluminium
Light source	LED MODUL
Connection of the luminaires	ON/OFF DALI ON/OFF + 1h emergency
Lifetime	L80/B20 0 hours

Family

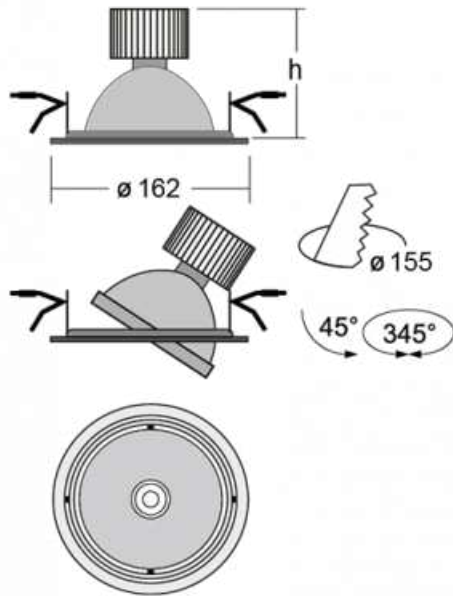
Basi

The Basi family of luminaires can be described simply – it has perfect light parameters and contains special sources. The high-brightness LEDs with colour rendering of $Ra > 80$ or $Ra > 90$ perfectly illuminates the desired object. That is what makes Basi especially suitable for shopping centres, cultural spaces or car showrooms. The RealColour technology with colour rendering of $Ra > 97$ shows the colours of objects as naturally as daylight. StrongColour will highlight the desired colour and RealWhite will further improve the illumination of white objects. The luminaire is tiltable so if you need to illuminate moving objects, simply direct the luminous flux.

Luminaire family variants Basi



Basi



Assembly



Light distribution



Energy class

energy_class_d

Marks

Notes

Beam angle	24, 41, 62
Colour of the luminaires	● ● ●
Colour Temperature	3000 K warm white 4000 K cool white
Optic system	Reflector
Connection of the luminaires	ON/OFF DALI ON/OFF + 1h emergency ON/OFF + 3h emergency DALI + 1h emergency DALI + 3h emergency ON/OFF multiwatt
Ra	80

Luminaires come complete with all necessary accessories.

Accessories



Type of installation	Recessed
Light distribution	Direct
Colour of the luminaires	Black, Silver, White
Colour Temperature	3000 K warm white, 4000 K cool white
Material	Sheet metal
Light source	LED MODUL
Connection of the luminaires	ON/OFF DALI ON/OFF + 1h emergency ON/OFF + 3h emergency DALI + 1h emergency DALI + 3h emergency ON/OFF multiwatt
Lifetime	L80/B20, L80/B10 0 hours

Family

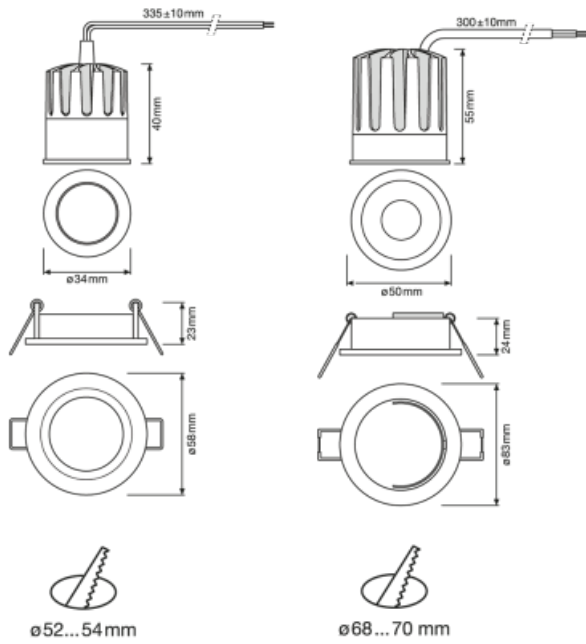
Basi2.0

We have expanded the Basi family with new small siblings. We offer the new additions in white at no extra charge. They achieve maximum luminous fluxes of 650 lm and 1500 lm and a colour rendering index of Ra90. These unobtrusive but efficient downlights have beam angles of 15°, 24°, 36° (40°).

Luminaire family variants Basi2.0



Basi 2.0



Assembly



Light distribution



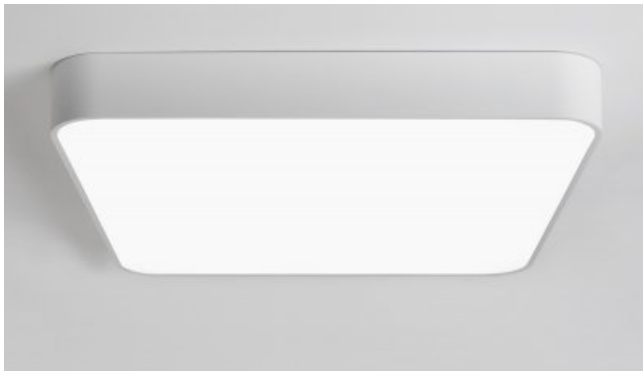
Energy class

energy_class_g

Marks

Notes	Beam angle	15, 24, 36, 40
	Colour of the luminaires	● ●
	Colour Temperature	3000 K warm white 4000 K cool white
	Optic system	FLOOD - wide angle SPOT - narrow angle MEDIUM - middle angle
	Connection of the luminaires	ON/OFF DALI
	Ra	90

Accessories



Type of installation	Recessed
Light distribution	Direct
Colour of the luminaires	Black, White
Colour Temperature	3000 K warm white, 4000 K cool white
Material	Aluminium
Light source	LED MODUL
MacAdam Light source	3
Connection of the luminaires	ON/OFF DALI
Lifetime	L70/B50 50 000 hours
Warranty	60 months

Family

Burbu

In the Burbu family, we round off squares with corners and we make ovals from rectangles. These luminaires with a 70 mm profile height have a positive and pleasant effect in the room. Combine luminaires with different diameters and different hanging possibilities. In a range of colours and power versions, flush-mount, wall and pendant models, the Burbu family of luminaires are ideal for hotel lobbies, entrance halls, offices, shops and households.

Luminaire family variants Burbu

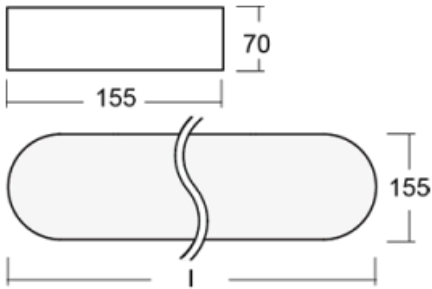


Burbu
Assembly

Light distribution

Energy class

energy_class_g

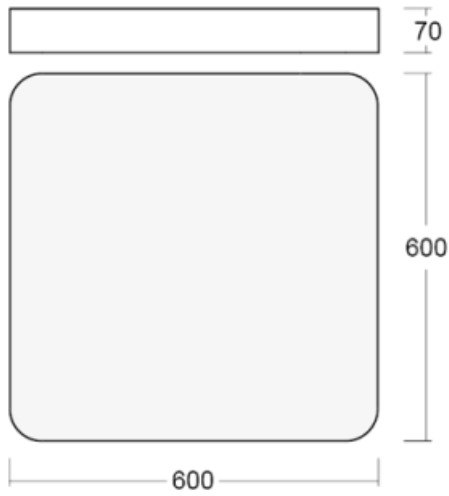
Marks


Code	Dimensions l/w/h (mm)	Power of the luminaire (W)	Luminous flux (lm)	Colour Temperature (K)	UGR
19-205K-30GEE/840, W	922 × 155 × 70	28.2	3220	4000	< 23.8
19-205K-40GEE/840, W	1222 × 155 × 70	37.6	4290	4000	< 23.8
19-205K-50GEE/840, W	1522 × 155 × 70	47	5360	4000	< 23.8

AnThese codes represent white luminaires with chromaticity temperature 4000K and opal diffuser.

Notes	Colour of the luminaires	
	Colour Temperature	3000 K warm white 4000 K cool white
	Optic system	Microprisma Opal diffuser
	Connection of the luminaires	ON/OFF DALI ON/OFF + 1h emergency ON/OFF + 3h emergency
	Ra	80

For pendant assembly, you must order a pendant set containing cables and a ceiling cup.

Burbu

Assembly

Light distribution


Energy class

energy_class_g

Marks

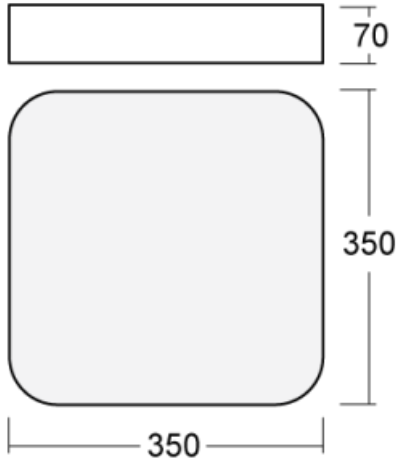
Code	Dimensions l/w/h (mm)	Power of the luminaire (W)	Luminous flux (lm)	Colour Temperature (K)	UGR
19-214K-10GEE/840, W	350 × 350 × 70	12.4	1440	4000	< 21.4
19-214K-40GEE/840, W	600 × 600 × 70	34.1	4680	4000	< 21.5

AnThese codes represent white luminaires with chromaticity temperature 4000K and opal diffuser.

Notes	Colour of the luminaires	
	Colour Temperature	3000 K warm white 4000 K cool white
	Optic system	Microprisma Opal diffuser
	Connection of the luminaires	ON/OFF DALI ON/OFF + 1h emergency ON/OFF + 3h emergency DALI + bluetooth
	Ra	80

For pendant assembly, you must order a pendant set containing cables and a ceiling cup.

Burbu



Assembly

Light distribution

Energy class

Marks

Notes

For pendant assembly, you must order a pendant set containing cables and a ceiling cup.

Accessories



Code	Description
00-00333, W	suspension set 2000mm, 4 pcs.of wires, cable 5x0,75mm, ceiling cup
00-00340, W	suspension set 4000mm, 4 pcs.of wires, cable 5x0,75mm, ceiling cup
00-00344, W	suspension set 6000mm, 4 pcs.of wires, cable 5x0,75mm, ceiling cup

Notes

Accessories colour



Type of installation Surface, Wall mounted, Suspended

Light distribution Direct

Colour of the luminaires Black, Silver, White

Colour Temperature 3000 K warm white, 4000 K cool white

Material Aluminium

Light source LED MODUL

Connection of the luminaires
 ON/OFF
 DALI
 ON/OFF + 1h emergency
 ON/OFF + 3h emergency
 DALI + bluetooth

Lifetime L80/B20 50 000 hours

Warranty 60 months

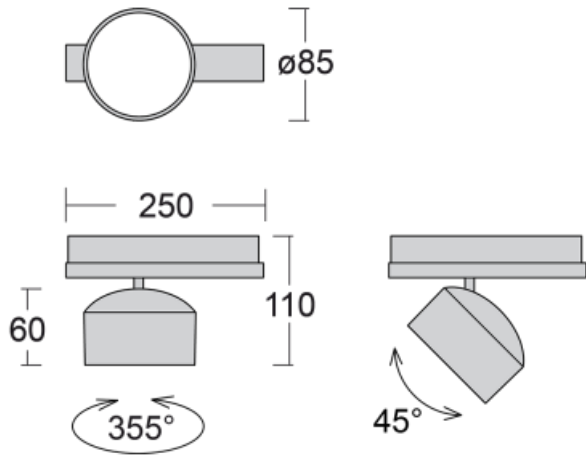
Family

Drobo

A dimmable, tilting track luminaire, whose shape is slightly reminiscent of headlights used on vintage cars. It features highbrightness LEDs with colour rendering of Ra>80 or Ra>90, transparent plexiglass or satin diffuser. The luminaires use adapters for the Global Track three-circuit tracks. Thanks to their minimalist design, they have lower luminous fluxes and are therefore more suitable for smaller shops with lower ceilings, such as drugstores or pharmacies. However, they can also be used in bars or less formal lobbies.

Luminaire family variants Drob



Drob

Assembly

Light distribution

Energy class

energy_class_d energy_class_e

Marks

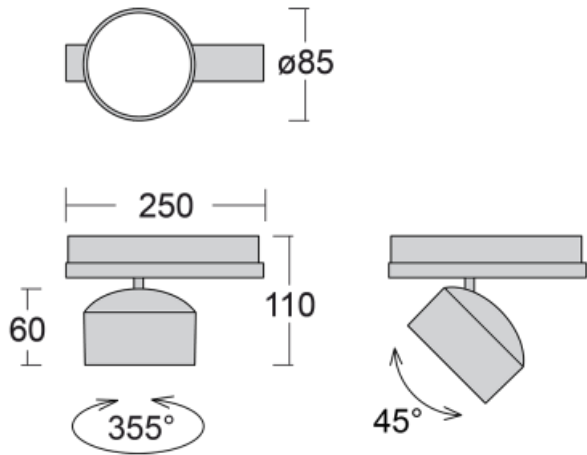
Code	Dimensions l/w/h (mm)	Power of the luminaire (W)	Luminous flux (lm)	Colour Temperature (K)	UGR
177-600F-10GGE/840, W	ø 85 × 110	16.7	2300	4000	< 17.4
177-600F-10GGE/940, W	ø 85 × 110	16.7	2000	4000	< 16.9

The indicated codes stand for a white luminaire with colour temperature of 4000K and with a medium-wide beam angle.

Notes	Beam angle	18, 25, 32, 52
	Colour of the luminaires	● ● ●
	Colour Temperature	3000 K warm white 4000 K cool white
	Optic system	Reflector
	Connection of the luminaires	ON/OFF DALI
	Ra	80 90

Track luminaires come complete with adapters for Global Track from Nordic Aluminium.

Drob



Assembly



Light distribution



Energy class

energy_class_g

Marks

Code	Dimensions l/w/h (mm)	Power of the luminaire (W)	Luminous flux (lm)	Colour Temperature (K)	UGR
177-600X-10GXX/840, W	ø 0 × 0	16.7	2000	4000	< 99

The indicated codes stand for a white luminaire with colour temperature of 4000K and with a medium-wide beam angle.

Notes

Colour of the luminaires	<input type="radio"/>
Colour Temperature	4000 K cool white
Ra	0

Track luminaires come complete with adapters for Global Track from Nordic Aluminium.

Accessories



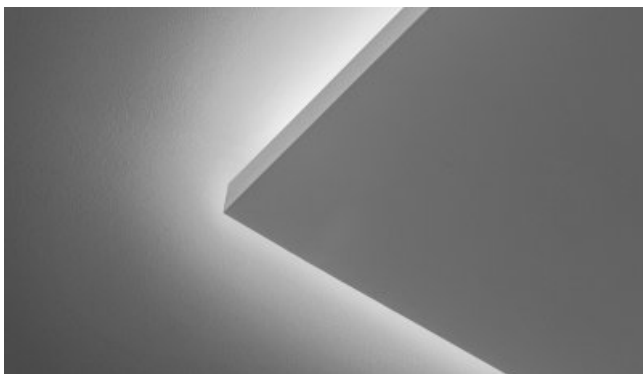
Code	Description
00-01000	reflector 18°
00-01001	reflector 25°
00-01002	reflector 32°
00-01003	reflector 52°



Code	Description
00-01100	Satinice diffuser



Code	Description
00-01101	Linear optic



Type of installation	3 circuit track
Light distribution	Direct
Colour of the luminaires	White
Colour Temperature	4000 K cool white
Material	Aluminium
Light source	LED MODUL
MacAdam Light source	3
Connection of the luminaires	ON/OFF DALI
Lifetime	L80/B20 50 000 hours
Warranty	60 months

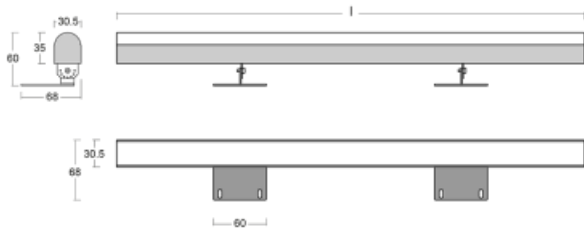
Family

Fini

A single luminaire, Fini, is an invisible luminaire that will enhance the atmosphere of any interior. The luminaires are adjustable which will help you achieve an ideal light effect without any shadows. You can line up a number of single luminaires that come in the lengths of 850 mm, 1130 mm, 1410 mm or 1690 mm. We offer three levels of luminous flux, a tuneable white version and an important IP40 protection. The height available for installing the luminaire should be at least 25 cm, which will help achieve an optimal light effect by adjusting the tilt of the luminaire.

Luminaire family variants Fini



Fini

Assembly

Light distribution

Energy class

energy_class_g

Marks

Code	Dimensions l/w/h (mm)	Power of the luminaire (W)	Luminous flux (lm)	Colour Temperature (K)	UGR
160-202K-15GEE/840, E	850 × 68 × 60	11.2	1450	4000	< 23
160-202K-15GGE/840, E	850 × 68 × 60	15.8	2000	4000	< 24.1
160-202K-15GHE/840, E	850 × 68 × 60	31.4	3650	4000	< 26.2
160-202K-20GEE/840, E	1130 × 68 × 60	14.8	1950	4000	< 23.1
160-202K-20GGE/840, E	1130 × 68 × 60	20.8	2650	4000	< 24.1
160-202K-20GHE/840, E	1130 × 68 × 60	41.8	4900	4000	< 26.3
160-202K-25GEE/840, E	1410 × 68 × 60	18.8	2500	4000	< 23.2
160-202K-25GGE/840, E	1410 × 68 × 60	27.7	3340	4000	< 24.1
160-202K-25GHE/840, E	1410 × 68 × 60	52.3	6100	4000	< 26.3
160-202K-30GEE/840, E	1690 × 68 × 60	22.4	2950	4000	< 23.1
160-202K-30GGE/840, E	1690 × 68 × 60	31.3	4000	4000	< 24.2
160-202K-30GHE/840, E	1690 × 68 × 60	63.2	7300	4000	< 26.3

These codes represent luminaires without a profile with chromaticity temperature 4000K and opal diffuser.

Notes

Colour of the luminaires	<input type="radio"/>
Colour Temperature	3000 K warm white 4000 K cool white
Optic system	Opal diffuser
Connection of the luminaires	ON/OFF DALI
Ra	80

Luminaires come complete with all necessary accessories.

Accessories



Family

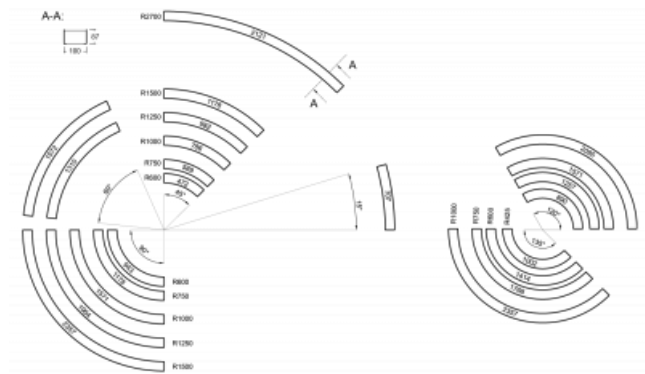
Flumo100-S

Large spaces and long corridors – such places require something special: a linear aluminium profile that winds along the corridor in a perfect curve and navigates you through the space. The system luminaires of the Flumo100-S family will fully adapt to your possibilities and imagination. They can run straight or meander like the Colorado River. All the different lengths and angles mean that there are no limits. To assemble the Flumo-S lighting system you can choose between the pendant and surface versions. They are available with an opal diffuser or microprism in a wide range of colours according to the Halla RAL chart. The luminaires can be controlled via Bluetooth technology from your smart device.

Type of installation	Surface
Light distribution	Direct
Colour of the luminaires	Silver
Colour Temperature	3000 K warm white, 4000 K cool white
Material	Aluminium
MacAdam Light source	3
Connection of the luminaires	ON/OFF DALI
Lifetime	L80/B20 50 000 hours
Warranty	60 months

Luminaire family variants Flumo100-S



Flumo100-S

Assembly

Light distribution


Energy class

energy_class_g

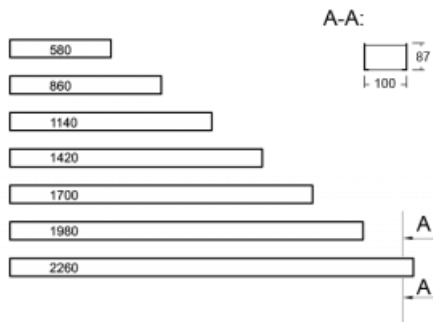
Marks

Code	Dimensions l/w/h (mm)	Power of the luminaire (W)	Luminous flux (lm)	Colour Temperature (K)	UGR
128S-XXXK-XXGXE/840, W	0 × 100 × 87	8.3	830	4000	< 99

AnThese codes represent white luminaires with chromaticity temperature 4000K and opal diffuser.

Notes	Colour of the luminaires	
Colour Temperature	3000 K warm white 4000 K cool white	
Optic system	Microprisma Opal diffuser	
Connection of the luminaires	ON/OFF	
Ra	80	

End caps, suspensions, supply cables, and ceiling cup for luminaires must be ordered separately. To connect into systems, please order the respective number of couplers.

Flumo100-S

Assembly

Light distribution

Energy class

energy_class_g

Marks

Code	Dimensions l/w/h (mm)	Power of the luminaire (W)	Luminous flux (lm)	Colour Temperature (K)	UGR
128S-X0XK-XXGXE/840, W	0 × 100 × 87	5.8	580	4000	< 99

AnThese codes represent white luminaires with chromaticity temperature 4000K and opal diffuser.

Notes	Colour of the luminaires	● ● ●
	Colour Temperature	3000 K warm white 4000 K cool white
	Optic system	Microprisma Opal diffuser
	Connection of the luminaires	ON/OFF
	Ra	80

End caps, suspensions, supply cables, and ceiling cup for luminaires must be ordered separately. To connect into systems, please order the respective number of couplers.

Accessories



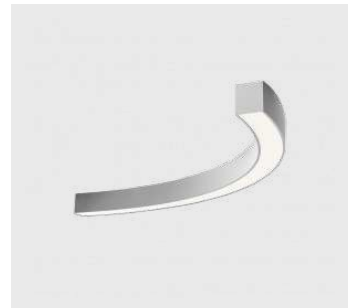
Type of installation	Surface, Suspended
Light distribution	Direct
Colour of the luminaires	Black, Silver, White
Colour Temperature	3000 K warm white, 4000 K cool white
Material	Aluminium
Connection of the luminaires	ON/OFF
Lifetime	L80/B20 0 hours

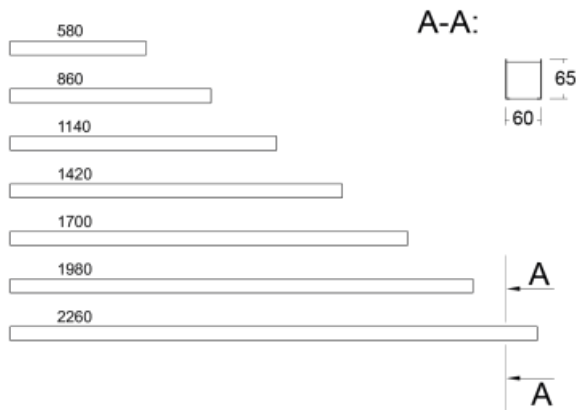
Family

Flumo60-S

Based on the great success of Flumo100-S, we decided to create its little brother called Flumo60-S with a narrower profile of 60 mm for a more decent look. It is a linear aluminium profile that winds along the ceiling in a perfect curve and navigates you through the space. The Flumo60-S luminaires are available in both pendant and surface versions. Thanks to a wide range of radii and lengths, the luminaire can be used to create countless shapes of light objects. If we add the possibility of direct or direct-indirect distribution of light and two types of optical systems, we get a universal tool for illuminating social, public or commercial spaces.

Luminaire family variants Flumo60-S



Flumo60-S

Assembly

Light distribution

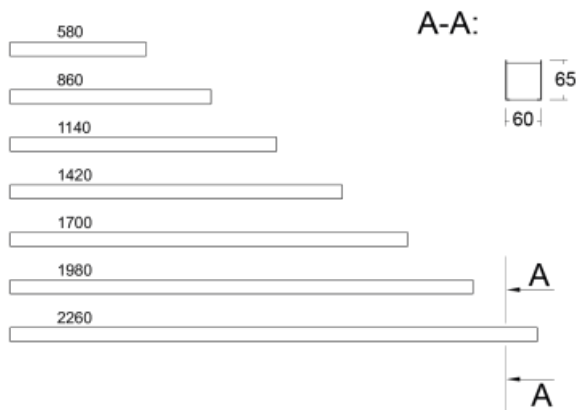
Energy class

energy_class_g

Marks

Notes	Colour of the luminaires	● ● ●
	Colour Temperature	3000 K warm white 4000 K cool white
	Optic system	Microprisma Opal diffuser
	Connection of the luminaires	ON/OFF
	Ra	80

End caps, suspensions, supply cables, and ceiling cup for luminaires must be ordered separately. To connect into systems, please order the respective number of couplers.


Flumo60-S

Assembly

Light distribution

Energy class

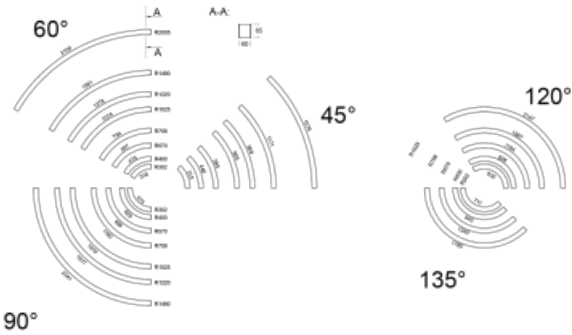
energy_class_g

Marks

Notes	Colour of the luminaires	
	Colour Temperature	3000 K warm white 4000 K cool white
	Optic system	Microprisma Opal diffuser
	Connection of the luminaires	ON/OFF
	Ra	80

End caps, suspensions, supply cables, and ceiling cup for luminaires must be ordered separately. To connect into systems, please order the respective number of couplers.

Flumo60-S



Assembly




Light distribution



Energy class

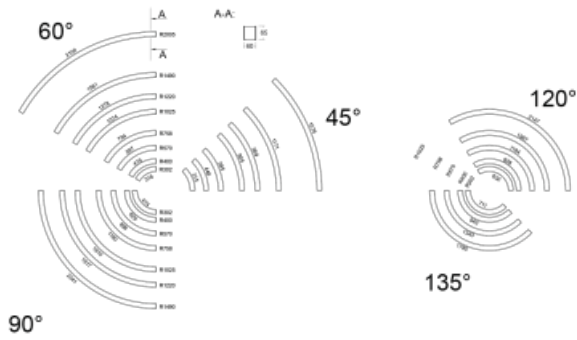
energy_class_g

Marks

Notes	Colour of the luminaires	
	Colour Temperature	3000 K warm white 4000 K cool white
	Optic system	Microprisma Opal diffuser
	Connection of the luminaires	ON/OFF
	Ra	80

End caps, suspensions, supply cables, and ceiling cup for luminaires must be ordered separately. To connect into systems, please order the respective number of couplers.

Flumo60-S



Assembly



Light distribution



Energy class

energy_class_g

Marks

Notes

Colour of the luminaires

Colour Temperature 3000 K warm white
4000 K cool white

Optic system Microprisma
Opal diffuser

Connection of the luminaires ON/OFF

Ra 80

End caps, suspensions, supply cables, and ceiling cup for luminaires must be ordered separately. To connect into systems, please order the respective number of couplers.

Accessories



Type of installation	Surface
Light distribution	Direct
Colour of the luminaires	Black, Silver, White
Colour Temperature	3000 K warm white, 4000 K cool white
Material	Aluminium
Light source	LED MODUL
Connection of the luminaires	ON/OFF
Lifetime	L80/B20 0 hours

Family

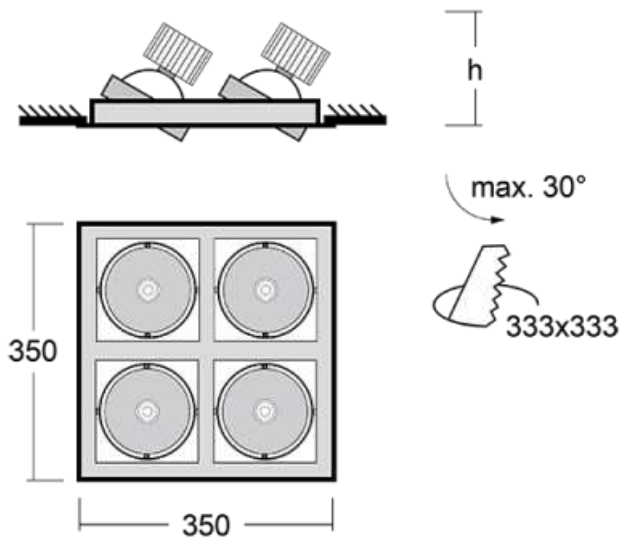
Gatu

If we combine a simple design with advanced functionality, we get the luminaires of Gatu family. The recessed luminaire with an adjustable reflector can be aimed at the required object. In addition to high-brightness LEDs with colour rendering of $Ra > 80$ or $Ra > 90$, the luminaire also contains a wide range of light sources. The RealWhite technology highlights the white, StrongColour highlights the selected colour, and RealColour with an extremely high colour rendering of $Ra > 97$ emphasizes the object's own colour. The illuminated object thus looks even more appealing, which makes Gatu luminaires suitable for commercial and cultural spaces, car showrooms and shop windows.

Luminaire family variants Gatu



Gatu



Assembly

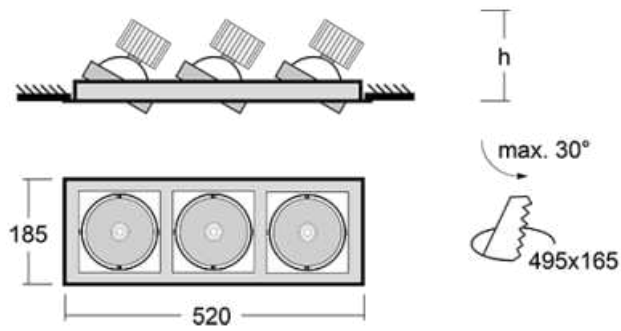
Light distribution

Energy class

Marks

Notes Luminares come complete with all necessary accessories.

Gatu



Assembly

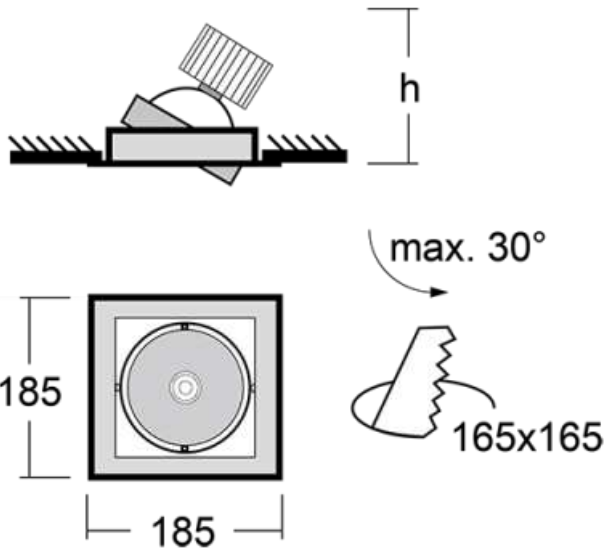
Light distribution

Energy class

Marks

Notes Luminares come complete with all necessary accessories.

Gatu



Assembly



Energy class

energy_class_d

Light distribution



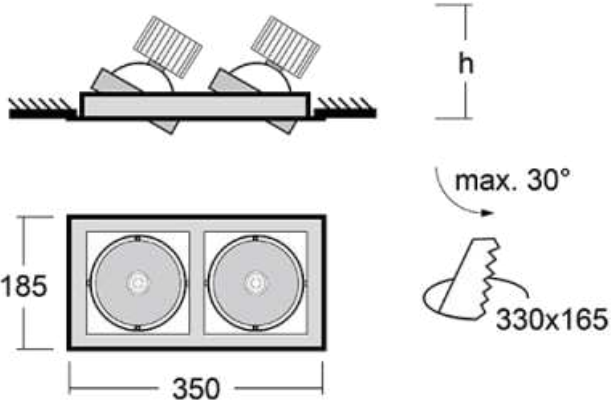
Marks

Notes

Beam angle	24, 41, 62
Colour of the luminaires	● ● ●
Colour Temperature	3000 K warm white 4000 K cool white
Optic system	Reflector
Connection of the luminaires	ON/OFF DALI ON/OFF + 1h emergency ON/OFF + 3h emergency ON/OFF multiwatt
Ra	80

Luminaires come complete with all necessary accessories.

Gatu



Assembly



Light distribution



Energy class

energy_class_d

Marks

Notes

Colour of the luminaires

Colour Temperature 3000 K warm white
4000 K cool white

Optic system Reflector

Connection of the luminaires ON/OFF
DALI
ON/OFF + 1h emergency
ON/OFF + 3h emergency
ON/OFF multiwatt

Luminaires come complete with all necessary accessories.

Accessories

Family

Global Trac

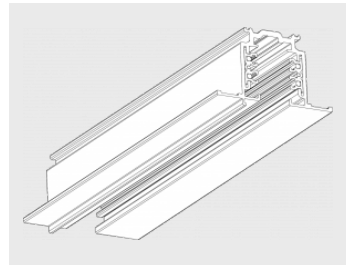
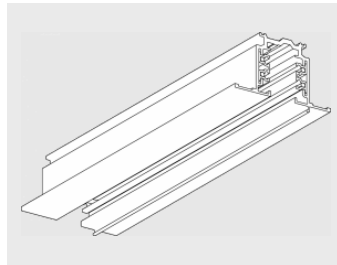
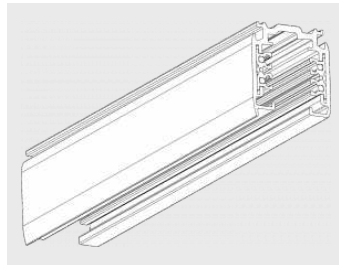
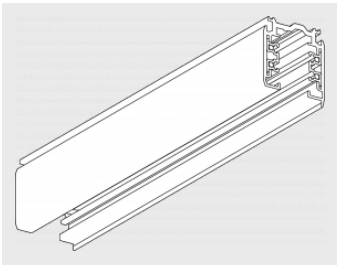
Type of installation Recessed

Light distribution Direct

Colour of the luminaires Black, Silver, White

Material Sheet metal

Luminaire family variants Global Trac



Global Trac on/off

Assembly



Light distribution



Energy class

energy_class_g

Marks

Notes

Colour of the luminaires



Ra

0

Global Trac DALI

Assembly



Light distribution



Energy class

energy_class_g

Marks

Notes

Colour of the luminaires



Ra

0

Global Trac on/off

Assembly




Light distribution



Energy class

energy_class_g

Marks

Notes	Colour of the luminaires	
	Ra	0

Global Trac DALI

Assembly




Light distribution



Energy class

energy_class_g

Marks

Notes	Colour of the luminaires	
	Ra	0

Accessories



Type of installation	Recessed
Light distribution	Direct
Colour of the luminaires	Black, Silver, White
Colour Temperature	3000 K warm white, 4000 K cool white
Material	Aluminium
Light source	LED MODUL
LED type	Tunable White
MacAdam Light source	3
Connection of the luminaires	ON/OFF DALI ON/OFF + 1h emergency ON/OFF + 3h emergency ON/OFF multiwatt
Lifetime	L80/B10 50 000 hours
Warranty	60 months

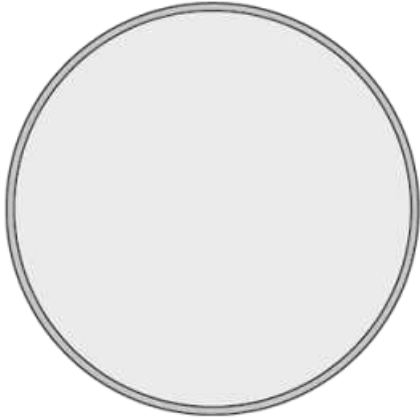
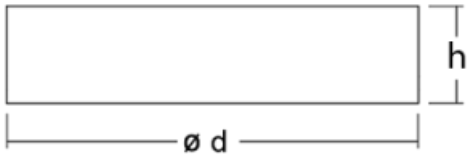
Family

Huge

Circular luminaires with an aluminium profile with a height of 87 mm and an excellent luminous efficacy of up to 145 lm/W. A Huge family not only by its name, but also in terms of its functions and dimensions with a diameter of up to 1150 mm. These surface or pendant luminaires can be used as basic lighting features in commercial and residential spaces. Thanks to sophisticated technology, the luminaires do not cause glare and the lighting can be adapted to smaller or large commercial spaces. You can choose between a version with an opal diffuser made of PMMA or a microprismatic optical system.

Luminaire family variants Huge




Huge**Assembly****Light distribution****Energy class**

energy_class_g

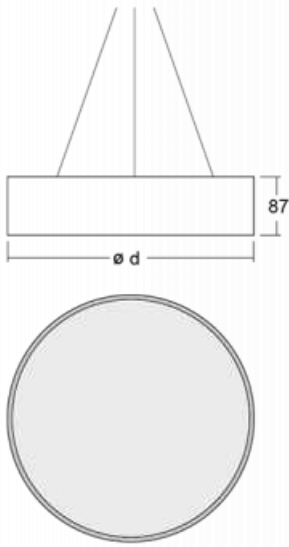
Marks

Code	Dimensions l/w/h (mm)	Power of the luminaire (W)	Luminous flux (lm)	Colour Temperature (K)	UGR
191-230K-10GEM3I/840, W	∅ 300 × 87	13.1	1500	4000	< 23.1
191-230K-10GEEI/840, W	∅ 300 × 87	22.4	2500	4000	< 24.9
191-240K-10GGEI/840, W	∅ 400 × 87	29.1	3500	4000	< 24
191-250K-10GGEI/840, W	∅ 500 × 87	36.4	4500	4000	< 23.3
191-260K-10GGEI/840, W	∅ 600 × 87	40.4	5500	4000	< 22.7
191-260K-10GHE/840, W	∅ 600 × 87	54.8	7110	4000	< 23.6
191-280K-10GEE/840, W	∅ 850 × 87	59	8070	4000	< 20.7
191-280K-10GGM3I/840, W	∅ 850 × 87	76.6	10500	4000	< 22.5
191-280K-10GGE/840, W	∅ 850 × 87	80.9	10920	4000	< 20.7
191-280K-10GHE/840, W	∅ 850 × 87	98.3	13080	4000	< 22.9
191-2A0K-10GEE/840, W	∅ 1150 × 87	94.9	13020	4000	< 20.8
191-2A0K-10GGE/840, W	∅ 1150 × 87	106	17270	4000	< 21.8
191-2A0K-10GHE/840, W	∅ 1150 × 87	145.3	19480	4000	< 22.5

AnThese codes represent white luminaires with chromaticity temperature 4000K and opal diffuser.

Notes	Colour of the luminaires	
	Colour Temperature	3000 K warm white 4000 K cool white 2700 K - 6500 K Tunable White
	Optic system	Microprisma Opal diffuser
	Connection of the luminaires	ON/OFF DALI ON/OFF + 1h emergency DALI + sensor ON/OFF + 3h emergency DALI DT8 DALI + bluetooth ON/OFF multiwatt
	Ra	80 90

For pendant assembly, you must order a pendant set containing cables and a ceiling cup.

Huge

Assembly

Light distribution


Energy class

energy_class_g

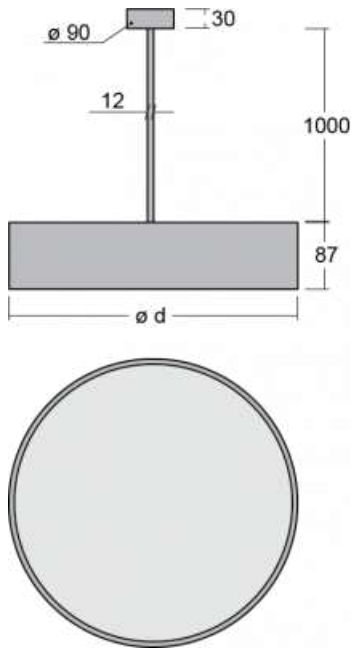
Marks

Code	Dimensions l/w/h (mm)	Power of the luminaire (W)	Luminous flux (lm)	Colour Temperature (K)	UGR
191-230K-10GEEI/840, W + 00-00334, W	ø 300 × 87	22.4	2500	4000	< 22.1
191-240K-10GGEI/840, W + 00-00334, W	ø 400 × 87	29.1	3500	4000	< 24
191-260K-10GGEI/840, W + 00-00334, W	ø 600 × 87	40.4	5500	4000	< 22.8

AnThese codes represent white luminaires with chromaticity temperature 4000K and opal diffuser.

Notes	Colour of the luminaires	
	Colour Temperature	3000 K warm white 4000 K cool white
	Optic system	Microprisma Opal diffuser
	Connection of the luminaires	DALI ON/OFF + 1h emergency ON/OFF + 3h emergency ON/OFF multiwatt
	Ra	80

Luminaires come complete with all necessary accessories.

Huge

Assembly

Light distribution

Energy class

energy_class_g

Marks

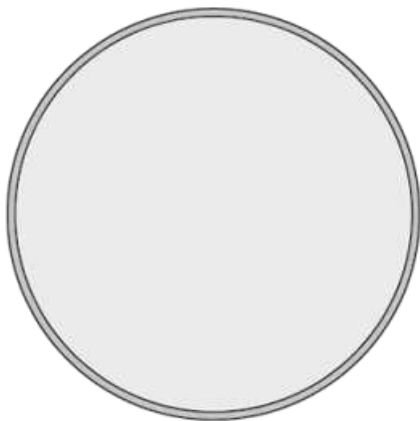
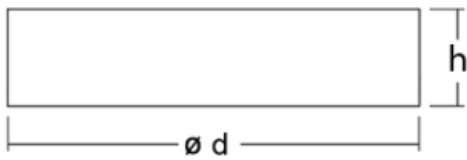
Code	Dimensions l/w/h (mm)	Power of the luminaire (W)	Luminous flux (lm)	Colour Temperature (K)	UGR
191-230K-10GEEI/840, W + 00-00384-1000/HU3, W	$\varnothing 300 \times 87$	22.4	2500	4000	< 22.1
191-240K-10GGEI/840, W + 00-00384-1000/HU4, W	$\varnothing 400 \times 87$	29.1	3500	4000	< 24
191-260K-10GGEI/840, W + 00-00384-1000/HU6, W	$\varnothing 600 \times 87$	40.4	5500	4000	< 22.8

AnThese codes represent white luminaires with chromaticity temperature 4000K and opal diffuser.

Notes	Colour of the luminaires	● ● ●
	Colour Temperature	3000 K warm white 4000 K cool white
	Optic system	Microprisma Opal diffuser
	Connection of the luminaires	ON/OFF + 1h emergency ON/OFF + 3h emergency ON/OFF multiwatt
	Ra	80

Luminaires come complete with all necessary accessories.

Huge



Assembly	Light distribution
Energy class	Marks

Notes For pendant assembly, you must order a pendant set containing cables and a ceiling cup.

Accessories



Type of installation	Suspended
Light distribution	Direct
Colour of the luminaires	Black, Silver, White
Colour Temperature	3000 K warm white, 4000 K cool white
Material	Aluminium
Light source	LED MODUL
Connection of the luminaires	ON/OFF + 1h emergency ON/OFF + 3h emergency ON/OFF multiwatt
Lifetime	L80/B20 0 hours

Family

Ilbi

When Matúš Opálka closed himself into his study for a month, we were wondering what he would come up with. He designed lighting that gives off a gentle but luxurious effect. The indirect two-sided emission with reflection from the wall creates a pleasantly soft light with adjustable intensity. The aluminum profile has been fitted with powerful LED boards. We offer a separate wall-mounted luminaire in black, silver and white embodiment. If you are looking to light up meeting rooms, all kinds of corridors, halls, conference and banquet halls, the Ilbi is for you.

Luminaire family variants Ilbi



Ilbi

Assembly



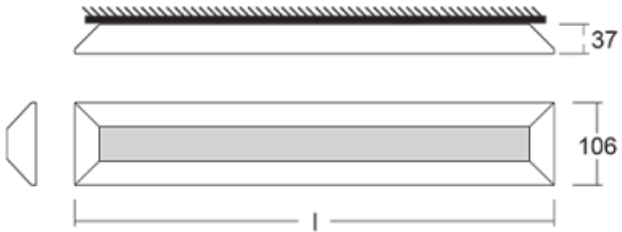
Light distribution



Energy class

energy_class_g

Marks



Notes

Colour of the luminaires

Colour Temperature 3000 K warm white
4000 K cool white

Optic system Opal diffuser

Connection of the luminaires ON/OFF
DALI

Ra 80

Accessories



Code	Description
00-00350, K	cable 3x0,75 1000mm
00-00352, K	cable 3x0,75 2000mm
00-00354, K	cable 5x0,75 1000mm
00-00355, K	cable 5x0,75 2000mm



Code	Description
00-00370, W	ceiling cup 80x80x32mm

Notes

Accessories colour



Type of installation	Surface, Wall mounted, Suspended
Light distribution	Indirect
Colour of the luminaires	Black, Silver, White
Colour Temperature	3000 K warm white, 4000 K cool white
Material	Aluminium
Light source	LED MODUL
MacAdam Light source	3
Connection of the luminaires	ON/OFF DALI
Lifetime	L80/B20 50 000 hours
Warranty	60 months

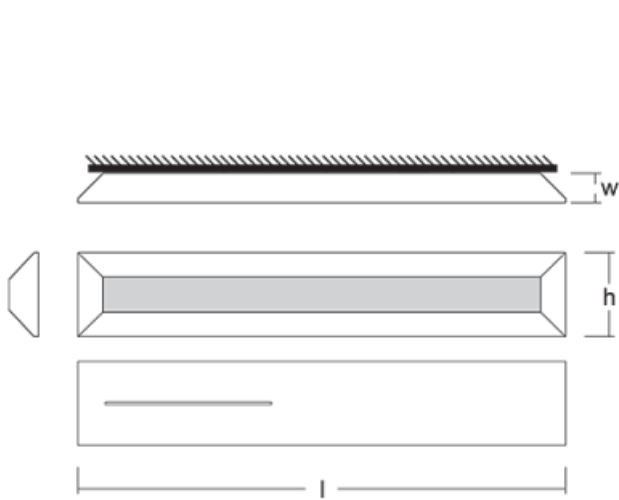
Family

Ilbi+

Combining maximum usefulness with the minimalist design of Matúš Opalka gives you the Ilbi+ family of lighting. We have, moreover, added a dual function. In addition to lighting up the room indirectly, it charges electronic devices through an integrated USB port and acts as a suspension system for inserting hooks, handles or shelves. You can hang your clothes, place books, hang kitchen utensils, lay a towel or other everyday necessities on the luminaire. Ilbi+ luminaires are great for hotels, households, meeting rooms, and thanks to their IP 44 housing also for wellness centers, bathrooms and swimming pool dressing rooms.

Luminaire family variants Ilbi+



Ilbi+

Assembly

Light distribution


Energy class

energy_class_g

Marks

Code	Dimensions l/w/h (mm)	Power of the luminaire (W)	Luminous flux (lm)	Colour Temperature (K)	UGR
109-321K-20GEE/840, W	616 × 37 × 106	19.3	2370	4000	< 10
109-301K-30GEE/840, W	896 × 37 × 106	29	3560	4000	< 10
109-311K-30GEE/840, W	896 × 37 × 106	29	3560	4000	< 10
109-301K-40GEE/840, W	1176 × 37 × 106	38.6	4740	4000	< 10
109-311K-40GEE/840, W	1176 × 37 × 106	38.6	4740	4000	< 10

AnThese codes represent white luminaires with chromaticity temperature 4000K and opal diffuser.

Notes	Colour of the luminaires	
	Colour Temperature	3000 K warm white 4000 K cool white 3500 K neutral white
	Optic system	Opal diffuser
	Connection of the luminaires	ON/OFF
	Ra	80

Wall fastenings must be ordered for the luminaires. Option of ordering shelves, cups, and hanging hooks.

Ilbi+

Assembly



Light distribution




Energy class

energy_class_g

Marks

Code	Dimensions l/w/h (mm)	Power of the luminaire (W)	Luminous flux (lm)	Colour Temperature (K)	UGR
109-331K-40GEE/840, W	1176 × 37 × 106	38.6	4740	4000	< 10
109-341K-40GEE/840, W	1176 × 37 × 106	38.6	4740	4000	< 10

AnThese codes represent white luminaires with chromaticity temperature 4000K and opal diffuser.

Notes	Colour of the luminaires	
	Colour Temperature	3000 K warm white 4000 K cool white
	Optic system	Opal diffuser
	Connection of the luminaires	ON/OFF
	Ra	80

Wall fastenings must be ordered for the luminaires. Option of ordering shelves, cups, and hanging hooks.

Accessories



Type of installation	Wall mounted
Light distribution	Indirect
Colour of the luminaires	Black, Silver, White
Colour Temperature	3000 K warm white, 4000 K cool white
Material	Aluminium
Light source	LED MODUL
Connection of the luminaires	ON/OFF
Lifetime	L80/B20 0 hours

Family

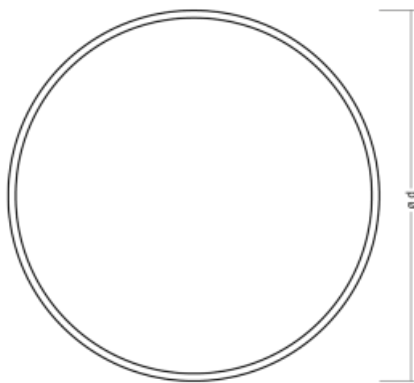
Indi



The Indi luminaire, designed by Matúš Opálka, has won a number of awards, such as the Red Dot Award, the iF Design Award and the German Design Award. This circular luminaire directindirect distribution of light and dimensions from 1 to 4 meters can be used in meeting rooms, all types of corridors, conference halls and social spaces. The aluminium profile has been fitted with powerful LED boards. The indirect distribution of light on two sides creates a pleasant soft light with adjustable intensity.

Luminaire family variants Indi



Indi

Assembly

Light distribution

Energy class

energy_class_g

Marks
Notes

Colour of the luminaires


 Colour Temperature 3000 K warm white
4000 K cool white

Optic system Opal diffuser

 Connection of the luminaires ON/OFF
DALI

Ra 80

Luminaires come complete with all necessary accessories. For assembling luminaires with diameters of 2000 mm or more, you must purchase a tightening strap to install the luminaires.

Accessories



Type of installation	Suspended
Light distribution	Direct-indirect
Colour of the luminaires	Black, Silver, White
Colour Temperature	3000 K warm white, 4000 K cool white
Material	Aluminium
Light source	LED MODUL
MacAdam Light source	3
Connection of the luminaires	ON/OFF DALI
Lifetime	L80/B20 50 000 hours
Warranty	60 months

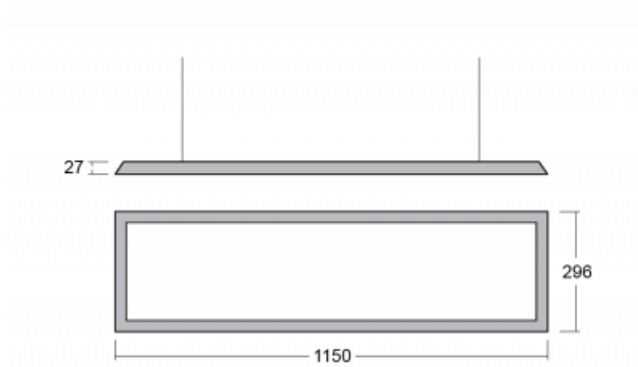
Family

Ineli

Pendant luminaire with a transparent optical system, two luminous fluxes and a height of only 27 mm, which is best used in an office. The Ineli luminaire with direct-indirect distribution of light will catch your eye with its low aluminium profile, forming the frame of the lighting area. Thanks to its superior technical features, it can also make every meeting room, informal café or relaxation zone more pleasant. Thanks to the fact that the power is supplied via suspension wires, there is no need for a power cable. The luminaire can be hung horizontally or at any angle, which gives the space an impression of uniqueness and airiness. In addition, it can be perfectly combined with the free-standing version, i.e. the Sineli luminaire.

Luminaire family variants Ineli



Ineli

Assembly

Light distribution

Energy class

energy_class_g

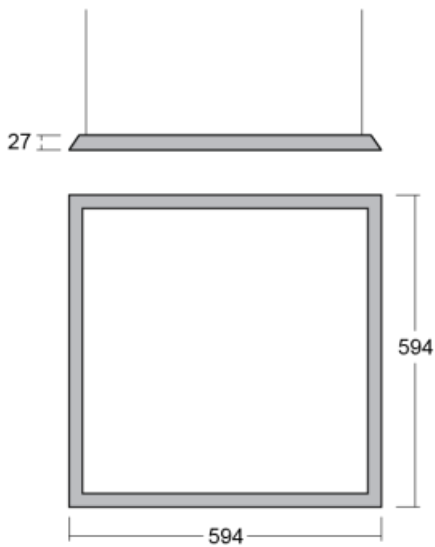
Marks

Code	Dimensions l/w/h (mm)	Power of the luminaire (W)	Luminous flux (lm)	Colour Temperature (K)	UGR
235-571I-20GGE/840, W	1150 × 296 × 27	47.2	7000	4000	< 15.6
235-571I-20GHE/840, W	1150 × 296 × 27	66.7	9500	4000	< 16.6

These codes represent white luminaires with chromaticity temperature 4000K and micro-prismatic optical system.

Notes	Colour of the luminaires	● ● ●
	Colour Temperature	3000 K warm white 4000 K cool white
	Optic system	Microprisma
	Connection of the luminaires	ON/OFF DALI
	Ra	80

Luminaires come complete with all necessary accessories.

Ineli

Assembly

Light distribution


Energy class

energy_class_g

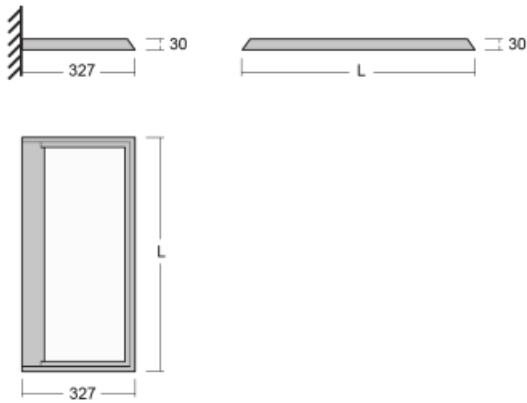
Marks

Code	Dimensions l/w/h (mm)	Power of the luminaire (W)	Luminous flux (lm)	Colour Temperature (K)	UGR
235-501I-10GGE/840, W	595 × 595 × 27	47.2	7000	4000	< 15.3
235-501I-10GHE/840, W	595 × 595 × 27	66.7	9500	4000	< 16.3

These codes represent white luminaires with chromaticity temperature 4000K and micro-prismatic optical system.

Notes	Colour of the luminaires	
	Colour Temperature	3000 K warm white 4000 K cool white
	Optic system	Microprisma
	Connection of the luminaires	ON/OFF DALI
	Ra	80

Luminaires come complete with all necessary accessories.

Ineli

Assembly

Light distribution


Energy class

energy_class_g

Marks

Code	Dimensions l/w/h (mm)	Power of the luminaire (W)	Luminous flux (lm)	Colour Temperature (K)	UGR
235-371I-10GGE/840, W	600 × 340 × 27	35.3	4640	4000	-
235-371I-15GGE/840, W	920 × 340 × 27	51	6560	4000	-

These codes represent white luminaires with chromaticity temperature 4000K and micro-prismatic optical system.

Notes	Colour of the luminaires	
	Colour Temperature	3000 K warm white 4000 K cool white
	Optic system	Microprisma
	Connection of the luminaires	ON/OFF DALI
	Ra	80

Luminaires come complete with all necessary accessories.

Accessories



Type of installation	Wall mounted
Light distribution	Direct-indirect
Colour of the luminaires	Black, Silver, White
Colour Temperature	3000 K warm white, 4000 K cool white
Material	Aluminium
Light source	LED MODUL
Connection of the luminaires	ON/OFF DALI
Lifetime	L80/B20 50 000 hours
Warranty	60 months

Family

Kopti

Luminaire family variants Kopti



Kopti
Assembly

Light distribution


Energy class

energy_class_g

Marks

Code	Dimensions l/w/h (mm)	Power of the luminaire (W)	Luminous flux (lm)	Colour Temperature (K)	UGR
900-200K-10GEE/840, S	615 × 98 × 84	12	1700	4000	-
900-200K-10GGE/840, S	615 × 98 × 84	17	2390	4000	-
900-200K-20GEE/840, S	1175 × 98 × 84	22	3380	4000	-
900-200K-20GGE/840, S	1175 × 98 × 84	30	4720	4000	-
900-200K-25GEE/840, S	1455 × 98 × 84	28	4200	4000	-
900-200K-25GGE/840, S	1455 × 98 × 84	38	5880	4000	-

AnThese codes represent grey luminaires with chromaticity temperature 4000K and opal diffuser.

Notes	Colour of the luminaires	
	Colour Temperature	3000 K warm white 4000 K cool white
	Optic system	Opal diffuser
	Connection of the luminaires	ON/OFF DALI ON/OFF + 3h emergency
	Ra	80

Luminaires come complete with all necessary accessories.

Accessories



Type of installation	Surface, Suspended
Light distribution	Direct
Colour of the luminaires	Silver
Colour Temperature	3000 K warm white, 4000 K cool white
Material	Plastic
Light source	LED MODUL
MacAdam Light source	3
Connection of the luminaires	ON/OFF DALI ON/OFF + 3h emergency
Lifetime	L80/B20 50 000 hours
Warranty	60 months

Family

Kvado

The Kvado family luminaires are made of a high-quality aluminium profile and are available in versions with both direct and direct-indirect distribution of light. Their simple shape and quality of workmanship make them suitable for any space. The luminaires can combine an opal diffuser or microprismatic optics. Thanks to all this, you can use them in administrative buildings, shopping centres, public spaces or residential buildings. Both pendant and surface versions are available in various colours according to our Halla RAL chart.

Luminaire family variants Kvado



Kvado

Assembly

Light distribution


Energy class

energy_class_g

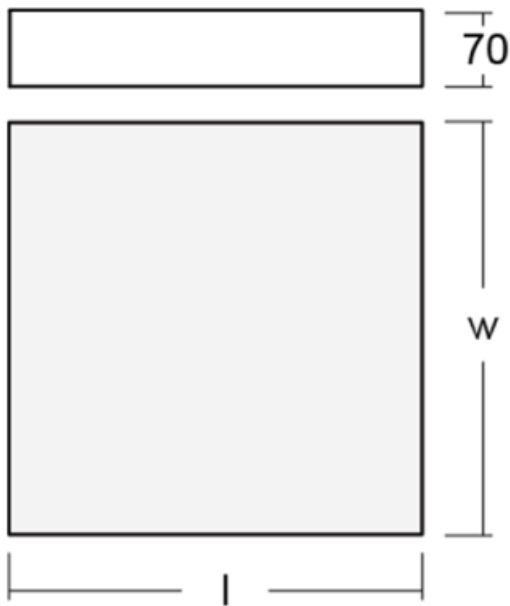
Marks

Code	Dimensions l/w/h (mm)	Power of the luminaire (W)	Luminous flux (lm)	Colour Temperature (K)	UGR
119-224K-40GEE/840, W	1200 × 350 × 70	34.1	4490	4000	< 20.9
119-224K-50GEE/840, W	1500 × 350 × 70	42.6	5610	4000	< 20.9

AnThese codes represent white luminaires with chromaticity temperature 4000K and opal diffuser.

Notes	Colour of the luminaires	
	Colour Temperature	3000 K warm white 4000 K cool white
	Optic system	Microprisma Opal diffuser
	Connection of the luminaires	ON/OFF DALI ON/OFF + 1h emergency ON/OFF + 3h emergency
	Ra	80

For pendant assembly, you must order a pendant set containing cables and a ceiling cup.

Kvado

Assembly

Light distribution


Energy class

energy_class_g

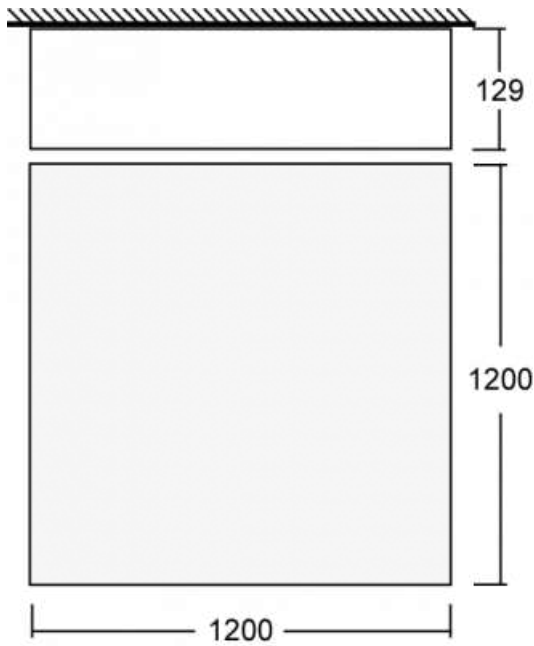
Marks

Code	Dimensions l/w/h (mm)	Power of the luminaire (W)	Luminous flux (lm)	Colour Temperature (K)	UGR
119-214K-10GEE/840, W	350 × 350 × 70	12.4	1440	4000	< 21.4
119-214K-40GEE/840, W	600 × 600 × 70	34.1	4680	4000	< 21.5
119-214K-90GEE/840, W	900 × 900 × 70	76.7	10530	4000	< 21.5

AnThese codes represent white luminaires with chromaticity temperature 4000K and opal diffuser.

Notes	Colour of the luminaires	
	Colour Temperature	3000 K warm white 4000 K cool white
	Optic system	Microprisma Opal diffuser
	Connection of the luminaires	ON/OFF DALI ON/OFF + 1h emergency ON/OFF + 3h emergency
	Ra	80

For pendant assembly, you must order a pendant set containing cables and a ceiling cup.

Kvado

Assembly

Light distribution


Energy class

energy_class_g

Marks

Code	Dimensions l/w/h (mm)	Power of the luminaire (W)	Luminous flux (lm)	Colour Temperature (K)	UGR
14-204K-40GEE/840, W	600 × 600 × 129	36.3	3460	4000	< 20.4
14-204K-90GEE/840, W	900 × 900 × 129	81.6	7790	4000	< 20.3
14-204K-16GEE/840, W	1200 × 1200 × 129	145.2	13840	4000	< 20.2
14-204K-25GEE/840, W	1500 × 1500 × 129	226.8	24460	4000	< 20.3

AnThese codes represent white luminaires with chromaticity temperature 4000K and opal diffuser.

Notes	Colour of the luminaires	
	Colour Temperature	3000 K warm white 4000 K cool white
	Optic system	Microprisma Opal diffuser
	Connection of the luminaires	ON/OFF DALI ON/OFF + 1h emergency
	Ra	80

For pendant assembly, you must order a pendant set containing cables and a ceiling cup.

Accessories



Code	Description
00-00333, W	suspension set 2000mm, 4 pcs.of wires, cable 5x0,75mm, ceiling cup
00-00340, W	suspension set 4000mm, 4 pcs.of wires, cable 5x0,75mm, ceiling cup
00-00344, W	suspension set 6000mm, 4 pcs.of wires, cable 5x0,75mm, ceiling cup

Notes

Accessories colour



Type of installation	Surface, Suspended
Light distribution	Direct
Colour of the luminaires	Black, Silver, White
Colour Temperature	3000 K warm white, 4000 K cool white
Material	Aluminium
Light source	LED MODUL
MacAdam Light source	2
Connection of the luminaires	ON/OFF DALI ON/OFF + 1h emergency
Lifetime	L80/B20 50 000 hours
Warranty	60 months

Family

Legio

We have designed the Legio luminaire in cooperation with Belgian designer Serge Cornelissen, who came up with an interesting idea of two identical luminaires in two different coats. These consist of an outer aluminium profile painted in white, black or silver and an aluminium profile painted in a special white colour. Its shape variations evoke basic geometric shapes that will make us reminisce about geometry lessons in the third grade of our primary school, where these luminaires definitely belong and can be used as an admissible cheat sheet. The variety of shapes and, last but not least, the excellent parameters of 130 lm/W and UGR

Luminaire family variants Legio



Legio
Assembly

Light distribution


Energy class

energy_class_g

Marks

Code	Dimensions l/w/h (mm)	Power of the luminaire (W)	Luminous flux (lm)	Colour Temperature (K)	UGR
123-501K-20GEE/840, W	1130 × 170 × 40	23.3	2940	4000	< 22
123-501K-20GGE/840, W	1130 × 170 × 40	38.8	4530	4000	< 23.5
123-501K-25GEE/840, W	1410 × 170 × 40	31.1	3950	4000	< 21.6
123-501K-25GGE/840, W	1410 × 170 × 40	50.8	6080	4000	< 23.1
123-501K-30GEE/840, W	1690 × 170 × 40	38.8	4960	4000	< 21.4
123-501K-30GGE/840, W	1690 × 170 × 40	63.5	7630	4000	< 22.9
123-501K-40GEE/840, W	2250 × 170 × 40	54.4	6970	4000	< 21.1
123-501K-40GGE/840, W	2250 × 170 × 40	88.9	10730	4000	< 22.6

AnThese codes represent white luminaires with chromaticity temperature 4000K and opal diffuser.

Notes	Colour of the luminaires	
	Colour Temperature	3000 K warm white 4000 K cool white
	Optic system	Microprisma Opal diffuser
	Connection of the luminaires	ON/OFF
	Ra	80

Luminaires come complete with all necessary accessories.

Legio
Assembly

Light distribution


Energy class

energy_class_g

Marks

Code	Dimensions l/w/h (mm)	Power of the luminaire (W)	Luminous flux (lm)	Colour Temperature (K)	UGR
123-551K-20GEE/840, W	1130 × 170 × 40	23.3	2940	4000	< 22
123-551K-20GGE/840, W	1130 × 170 × 40	38.8	4530	4000	< 23.5
123-551K-25GEE/840, W	1410 × 170 × 40	31.1	3950	4000	< 21.6
123-551K-25GGE/840, W	1410 × 170 × 40	50.8	6080	4000	< 23.1
123-551K-30GEE/840, W	1690 × 170 × 40	38.8	4960	4000	< 21.4
123-551K-30GGE/840, W	1690 × 170 × 40	63.5	7630	4000	< 22.9
123-551K-40GEE/840, W	2250 × 170 × 40	54.4	6970	4000	< 21.1
123-551K-40GGE/840, W	2250 × 170 × 40	88.9	10730	4000	< 22.6

AnThese codes represent white luminaires with chromaticity temperature 4000K and opal diffuser.

Notes	Colour of the luminaires	
	Colour Temperature	3000 K warm white 4000 K cool white
	Optic system	Microprisma Opal diffuser
	Connection of the luminaires	ON/OFF
	Ra	80

Luminaires come complete with all necessary accessories.

Accessories



Type of installation	Suspended
Light distribution	Direct-indirect
Colour of the luminaires	Black, Silver, White
Colour Temperature	3000 K warm white, 4000 K cool white
Material	Aluminium
Light source	LED MODUL
LED type	Tunable White
Connection of the luminaires	ON/OFF
Lifetime	L90/B50 50 000 hours
Warranty	60 months

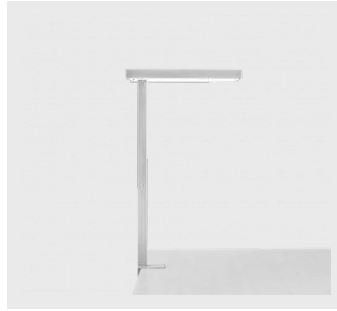
Family

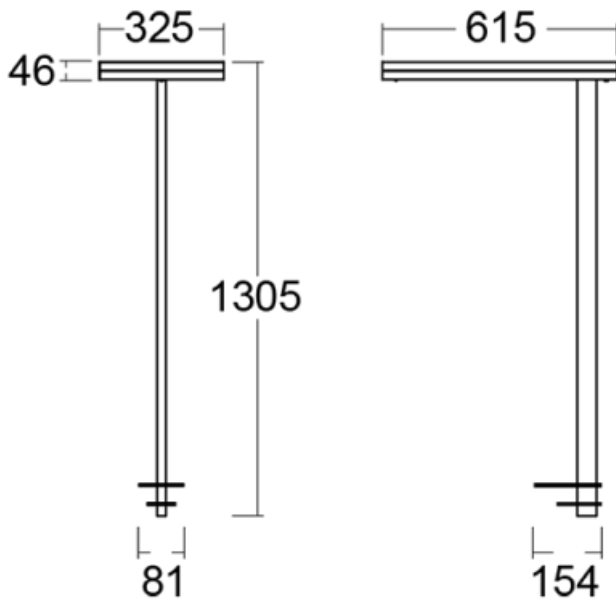
Leira

Leira smart luminaires will win you over not only with their simple design, but mainly with several ways to control the light intensity. The version with non-dimmable electronic ballast will fit perfectly into areas with permanent lighting, e.g. a lobby while luminaires with a dimmer switch will be appreciated, for example, at the reception. The model with a motion sensor will provide automatic dimming in a meeting room. And the office? The best option there is the version with an addressing unit that dims and lights up all the luminaires in the room on the basis of the detection of people and keeps the room perfectly lit for work. Leira luminaires have been designed as a minimalist element suitable for most interiors with the possibility of rearranging the space without unnecessary installations when you only need to move the luminaire.

Luminaire family variants Leira





Leira

Assembly

Light distribution


Energy class

energy_class_g

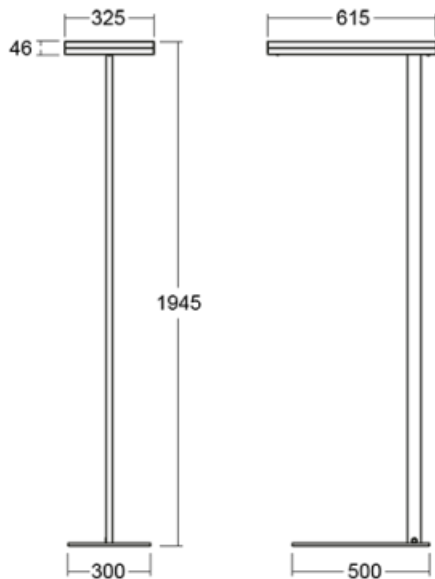
Marks

Code	Dimensions l/w/h (mm)	Power of the luminaire (W)	Luminous flux (lm)	Colour Temperature (K)	UGR
130-831I-10GEE/840, W	615 × 325 × 1305	73	10330	4000	< 13
131-831I-10GEE/840, W	615 × 325 × 1305	73	10330	4000	< 13

These codes represent white luminaires with chromaticity temperature 4000K and micro-prismatic optical system.

Notes	Colour of the luminaires	
	Colour Temperature	3000 K warm white 4000 K cool white 2700 K - 6500 K Tunable White
	Optic system	Microprisma
	Connection of the luminaires	ON/OFF DALI + sensor Other type of dimming DALI DT8
	Ra	80 90

Luminaires come in parts. Their codes are specified in the description of the specific type of luminaire.

Leira

Assembly

Light distribution


Energy class

energy_class_g

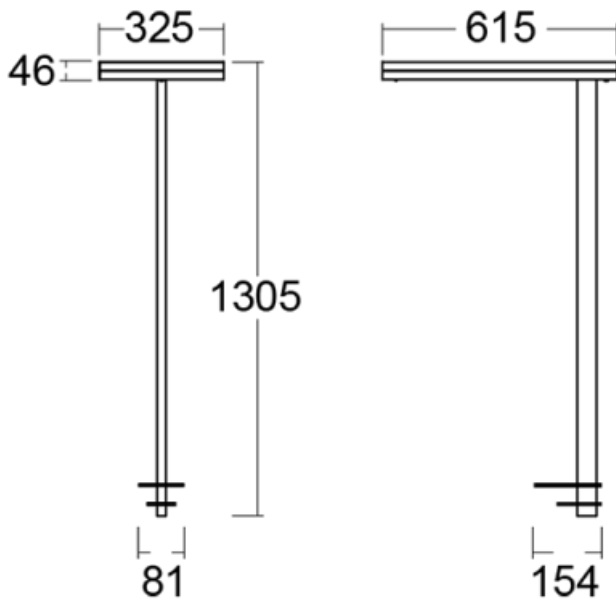
Marks

Code	Dimensions l/w/h (mm)	Power of the luminaire (W)	Luminous flux (lm)	Colour Temperature (K)	UGR
130-731I-10GEE/840, W	615 × 325 × 1945	73	10330	4000	< 13
131-731I-10GEE/840, W	615 × 325 × 1945	73	10330	4000	< 13

These codes represent white luminaires with chromaticity temperature 4000K and micro-prismatic optical system.

Notes	Colour of the luminaires	
	Colour Temperature	3000 K warm white 4000 K cool white 2700 K - 6500 K Tunable White
	Optic system	Microprisma
	Connection of the luminaires	ON/OFF DALI + sensor Other type of dimming DALI DT8
	Ra	80 90

Luminaires come in parts. Their codes are specified in the description of the specific type of luminaire.

Leira

Assembly

Light distribution


Energy class

energy_class_g

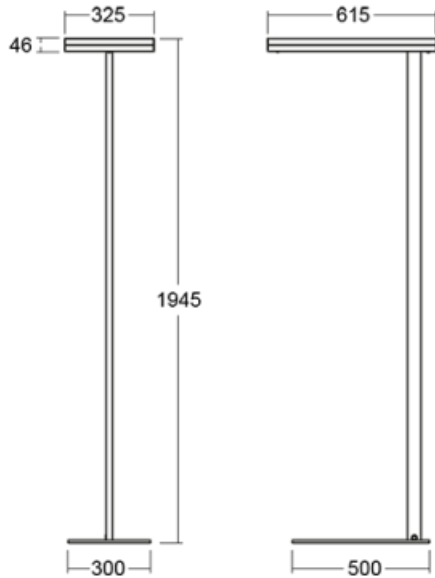
Marks

Code	Dimensions l/w/h (mm)	Power of the luminaire (W)	Luminous flux (lm)	Colour Temperature (K)	UGR
130-821I-10GEE/840, W	615 × 325 × 1305	73	10330	4000	< 13
131-821I-10GEE/840, W	615 × 325 × 1305	73	10330	4000	< 13

These codes represent white luminaires with chromaticity temperature 4000K and micro-prismatic optical system.

Notes	Colour of the luminaires	
	Colour Temperature	3000 K warm white 4000 K cool white 2700 K - 6500 K Tunable White
	Optic system	Microprisma
	Connection of the luminaires	ON/OFF DALI + sensor Other type of dimming DALI DT8
	Ra	80 90

Luminaires come in parts. Their codes are specified in the description of the specific type of luminaire.

Leira

Assembly

Light distribution

Energy class

energy_class_g

Marks

Code	Dimensions l/w/h (mm)	Power of the luminaire (W)	Luminous flux (lm)	Colour Temperature (K)	UGR
130-721I-10GEE/840, W	615 × 325 × 1945	73	10330	4000	< 13
131-721I-10GEE/840, W	615 × 325 × 1945	73	10330	4000	< 13

These codes represent white luminaires with chromaticity temperature 4000K and micro-prismatic optical system.

Notes

 Colour of the
luminaires


Colour Temperature

 3000 K warm white
4000 K cool white

Optic system

Microprisma

 Connection of the
luminaires

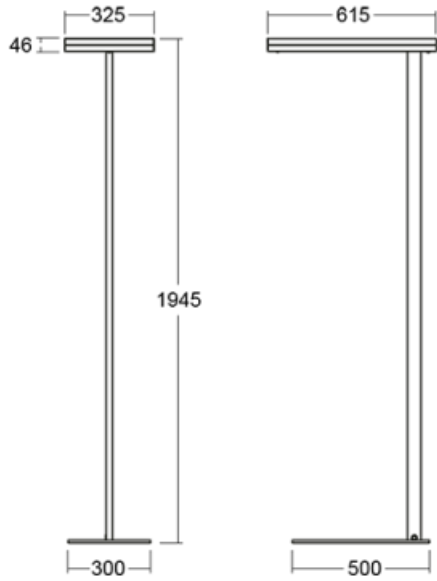
 ON/OFF
DALI + sensor
Other type of dimming

Ra

80

Luminaires come in parts. Their codes are specified in the description of the specific type of luminaire.

Leira



Assembly



Light distribution



Energy class

energy_class_g

Marks

Notes

Colour of the luminaires

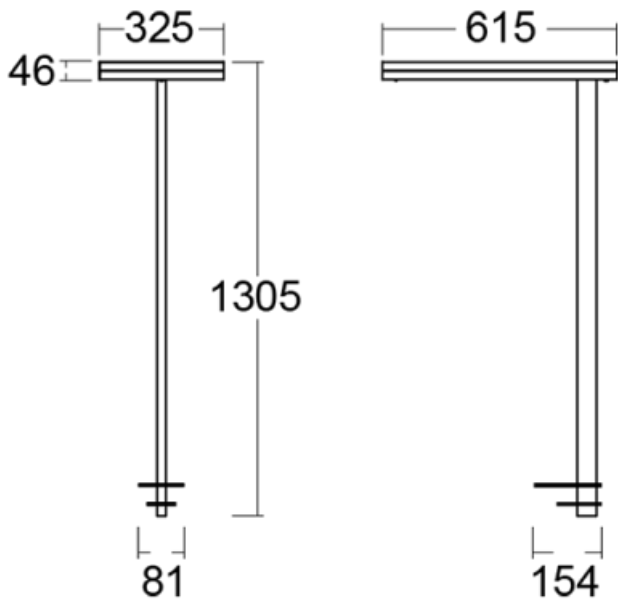


Colour Temperature 4000 K cool white

Ra 0

Luminaires come in parts. Their codes are specified in the description of the specific type of luminaire.

Leira



Assembly



Light distribution



Energy class

energy_class_g

Marks

Code	Dimensions l/w/h (mm)	Power of the luminaire (W)	Luminous flux (lm)	Colour Temperature (K)	UGR
130-831I-10GXX/840, W	0 × 0 × 0	73	10330	4000	< 99

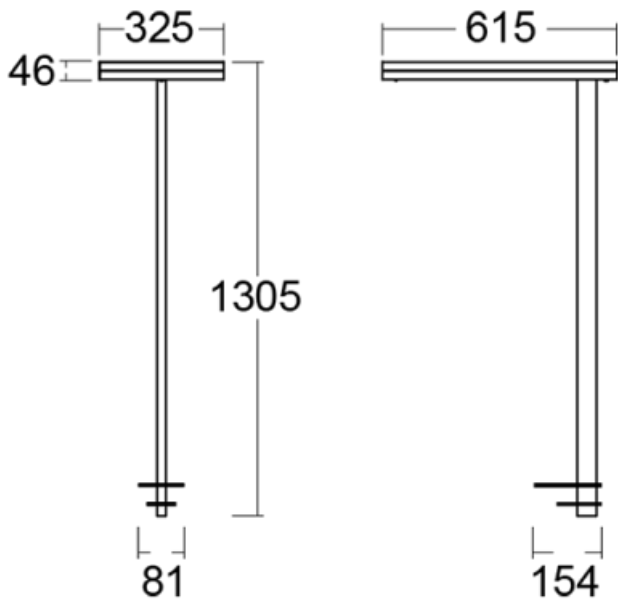
These codes represent white luminaires with chromaticity temperature 4000K and micro-prismatic optical system.

Notes

Colour of the luminaires	
Colour Temperature	4000 K cool white
Ra	0

Luminaires come in parts. Their codes are specified in the description of the specific type of luminaire.

Leira



Assembly



Light distribution



Energy class

energy_class_g

Marks

Code	Dimensions l/w/h (mm)	Power of the luminaire (W)	Luminous flux (lm)	Colour Temperature (K)	UGR
130-821I-10GXX/840, W	0 × 0 × 0	73	10330	4000	< 99

These codes represent white luminaires with chromaticity temperature 4000K and micro-prismatic optical system.

Notes

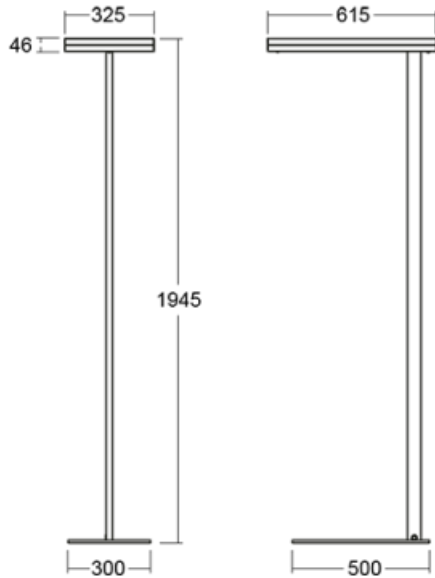
Colour of the luminaires



Colour Temperature 4000 K cool white

Ra 0

Luminaires come in parts. Their codes are specified in the description of the specific type of luminaire.

Leira

Assembly

Light distribution

Energy class

energy_class_g

Marks

Code	Dimensions l/w/h (mm)	Power of the luminaire (W)	Luminous flux (lm)	Colour Temperature (K)	UGR
130-721I-10GXX/840, W	0 × 0 × 0	73	10330	4000	< 99

These codes represent white luminaires with chromaticity temperature 4000K and micro-prismatic optical system.

Notes

 Colour of the
luminaires


Colour Temperature 4000 K cool white

Ra 0

Luminaires come in parts. Their codes are specified in the description of the specific type of luminaire.

Accessories



Type of installation Free-standing

Light distribution Direct-indirect

Colour of the luminaires White

Colour Temperature 4000 K cool white

Material Aluminium

Light source LED MODUL

MacAdam Light source 3

Connection of the luminaires ON/OFF
DALI + sensor
Other type of dimming

Lifetime L80/B20 50 000 hours

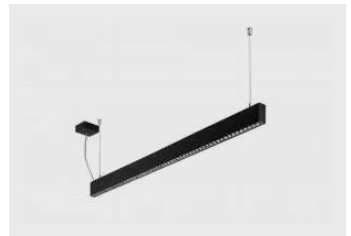
Warranty 60 months

Family

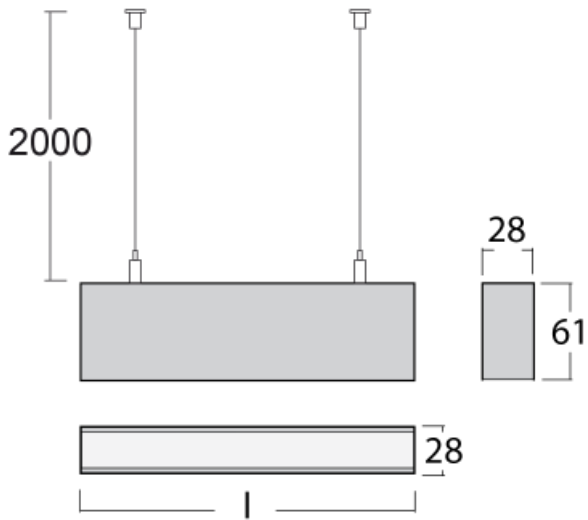
Lina28

The Lina28 luminaire with direct or direct-indirect light distribution is the thinnest linear luminaire in our product range. It is made of highquality aluminium profile and the luminaire also includes an electronic ballast, which does not need to be placed outside the luminaire, as is usual with such thin profiles. The luminaire features an integrated optical louver, which ensures low values of the UGR parameter, or, as an alternative option, an opal diffuser made of PMMA material which guarantees a premium UV stability. All of this makes the pendant luminaire suitable for offices, corridors, social spaces or whenever a minimalist design is required. Share

Luminaire family variants Lina28



Lina28



Assembly



Light distribution



Energy class

energy_class_g

Marks

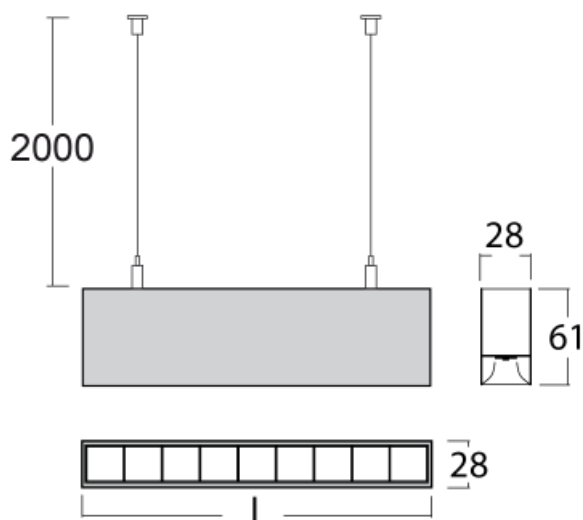
Code	Dimensions l/w/h (mm)	Power of the luminaire (W)	Luminous flux (lm)	Colour Temperature (K)	UGR
28-500K-15GEE/840, W	847 × 28 × 61	11.3	1140	4000	< 26.6
28-501K-15GEE/840, W	847 × 28 × 61	15.1	1630	4000	< 24.4
28-500K-15GGE/840, W	847 × 28 × 61	17.6	1760	4000	< 28.1
28-501K-15GGE/840, W	847 × 28 × 61	23.6	2510	4000	< 25.9
28-500K-20GEE/840, W	1127 × 28 × 61	15	1530	4000	< 26.6
28-501K-20GEE/840, W	1127 × 28 × 61	22.5	2500	4000	< 23.7
28-500K-20GGE/840, W	1127 × 28 × 61	23.4	2350	4000	< 28.1
28-501K-20GGE/840, W	1127 × 28 × 61	41	3850	4000	< 25.2
28-500K-25GEE/840, W	1408 × 28 × 61	18.8	1910	4000	< 26.6
28-500K-25GGE/840, W	1408 × 28 × 61	29.3	2940	4000	< 28.1
28-501K-25GEE/840, W	1408 × 28 × 61	30.1	3370	4000	< 23.3
28-501K-25GGE/840, W	1408 × 28 × 61	47.3	5190	4000	< 24.8
28-500K-30GEE/840, W	1688 × 28 × 61	22.5	2290	4000	< 26.6
28-500K-30GGE/840, W	1688 × 28 × 61	35.1	3530	4000	< 28.1
28-501K-30GEE/840, W	1688 × 28 × 61	37.5	4240	4000	< 23.1
28-501K-30GGE/840, W	1688 × 28 × 61	58.1	6530	4000	< 24.6
28-500K-35GEE/840, W	1969 × 28 × 61	26.3	2670	4000	< 26.6
28-500K-35GGE/840, W	1969 × 28 × 61	41	4120	4000	< 28.1
28-501K-35GEE/840, W	1969 × 28 × 61	45.1	5110	4000	< 22.9
28-501K-35GGE/840, W	1969 × 28 × 61	70	7870	4000	< 24.4
28-500K-40GEE/840, W	2249 × 28 × 61	30	3060	4000	< 26.6
28-500K-40GGE/840, W	2249 × 28 × 61	46.8	4710	4000	< 28.1
28-501K-40GEE/840, W	2249 × 28 × 61	52.5	5980	4000	< 22.8
28-501K-40GGE/840, W	2249 × 28 × 61	81.8	9210	4000	< 24.3

AnThese codes represent white luminaires with chromaticity temperature 4000K and opal diffuser.

Notes	Colour of the luminaires	● ● ●
	Colour Temperature	3000 K warm white 4000 K cool white
	Optic system	Microprisma Opal diffuser
	Connection of the luminaires	ON/OFF DALI
	Ra	80

Luminaires come complete with all necessary accessories.

Lina28



Assembly



Energy class

energy_class_g

Light distribution



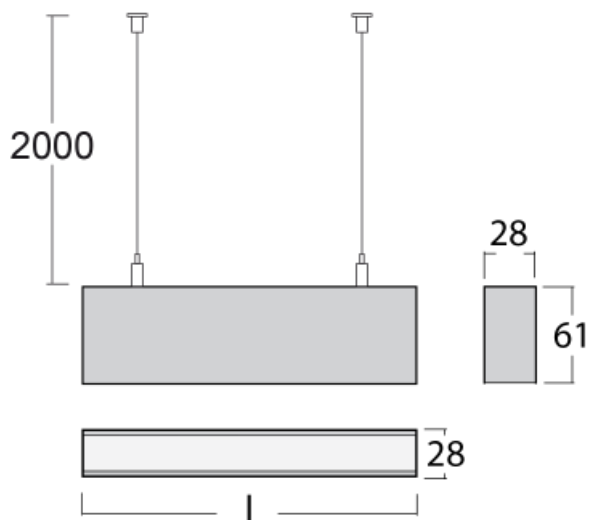
Marks

Code	Dimensions l/w/h (mm)	Power of the luminaire (W)	Luminous flux (lm)	Colour Temperature (K)	UGR
28-500Z-15GEE/840, W	847 × 28 × 61	14	1700	4000	< 15.8
28-501Z-15GEE/840, W	847 × 28 × 61	18.6	2300	4000	< 13.8
28-500Z-15GGE/840, W	847 × 28 × 61	20.9	2450	4000	< 17.1
28-501Z-15GGE/840, W	847 × 28 × 61	27.9	3310	4000	< 15.1
28-500Z-20GEE/840, W	1127 × 28 × 61	18.6	2270	4000	< 15.8
28-501Z-20GEE/840, W	1127 × 28 × 61	27.7	3460	4000	< 13.1
28-500Z-20GGE/840, W	1127 × 28 × 61	27.8	3270	4000	< 17.1
28-501Z-20GGE/840, W	1127 × 28 × 61	41.8	4980	4000	< 14.4
28-500Z-25GEE/840, W	1408 × 28 × 61	23.3	2840	4000	< 15.8
28-500Z-25GGE/840, W	1408 × 28 × 61	34.8	4090	4000	< 17.1
28-501Z-25GEE/840, W	1408 × 28 × 61	37	4620	4000	< 12.8
28-501Z-25GGE/840, W	1408 × 28 × 61	55.8	6650	4000	< 14.1
28-500Z-30GEE/840, W	1688 × 28 × 61	27.9	3410	4000	< 15.8
28-500Z-30GGE/840, W	1688 × 28 × 61	41.7	4910	4000	< 17.1
28-501Z-30GEE/840, W	1688 × 28 × 61	46.1	5790	4000	< 12.6
28-501Z-30GGE/840, W	1688 × 28 × 61	68.7	8320	4000	< 13.8
28-500Z-35GEE/840, W	1969 × 28 × 61	32.6	3980	4000	< 15.8
28-500Z-35GGE/840, W	1969 × 28 × 61	48.7	5730	4000	< 17.1
28-501Z-35GEE/840, W	1969 × 28 × 61	55.4	6950	4000	< 12.4
28-501Z-35GGE/840, W	1969 × 28 × 61	82.7	10000	4000	< 13.7
28-500Z-40GEE/840, W	2249 × 28 × 61	37.2	4550	4000	< 15.8
28-500Z-40GGE/840, W	2249 × 28 × 61	55.6	6550	4000	< 17.1
28-501Z-40GEE/840, W	2249 × 28 × 61	64.5	8110	4000	< 12.3
28-501Z-40GGE/840, W	2249 × 28 × 61	96.6	11670	4000	< 13.6

AnThese codes represent white luminaires with chromaticity temperature 4000K and plastic louvre.

Notes	Colour of the luminaires	● ● ●
	Colour Temperature	3000 K warm white 4000 K cool white
	Optic system	Plastic louvre low UGR
	Connection of the luminaires	ON/OFF DALI Other type of dimming
	Ra	80
	Luminaires come complete with all necessary accessories.	

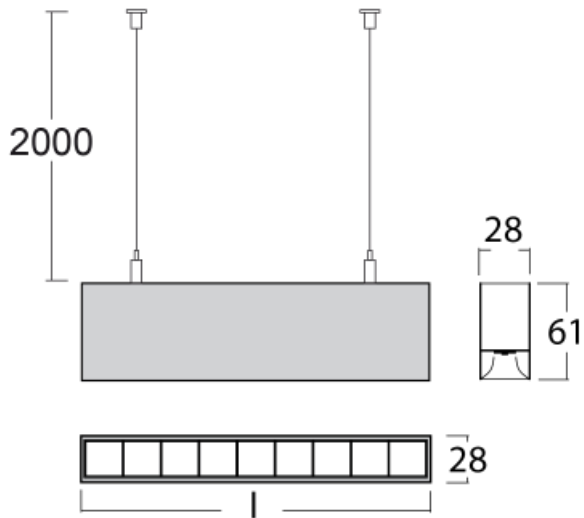
Lina28



Assembly	Light distribution
Energy class	Marks

Notes Luminaires come complete with all necessary accessories.

Lina28



Assembly

Light distribution

Energy class

Marks

Notes

Luminaires come complete with all necessary accessories.

Accessories



Type of installation	Suspended
Light distribution	Direct, Direct-indirect
Colour of the luminaires	Black, Silver, White
Colour Temperature	3000 K warm white, 4000 K cool white
Material	Aluminium
Light source	LED MODUL
MacAdam Light source	2
Connection of the luminaires	ON/OFF DALI Other type of dimming
Lifetime	L80/B20 50 000 hours
Warranty	60 months

Family

Lina35

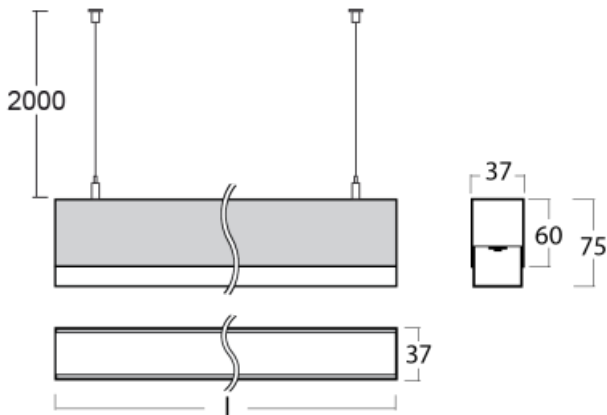
The linear luminaires of the Lina35 family represent one of the thinnest profiles in our product range, while you can choose from several different lengths. The luminaires with direct distribution of light are available in the pendant, surface and recessed versions. Thanks to the option to extend and retract the opal diffuser, you can find the ideal combination of lights for a specific interior according to your needs. Thanks to this variability, Lina35 can be used in virtually all areas, but especially in the social, public and commercial ones. Luminaires with an extended diffuser diffuse their light into a significantly larger area thus helping to soften the entire interior.

Luminaire family variants Lina35





Lina35



Assembly



Light distribution



Energy class

energy_class_g

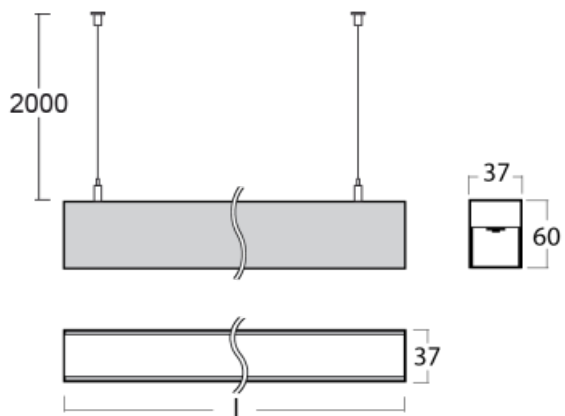
Marks

Code	Dimensions l/w/h (mm)	Power of the luminaire (W)	Luminous flux (lm)	Colour Temperature (K)	UGR
35-550K-10GEE/840, W	561 × 37 × 75	7.7	970	4000	< 25.5
35-550K-10GGE/840, W	561 × 37 × 75	11	1330	4000	< 26.6
35-550K-15GEE/840, W	842 × 37 × 75	11.6	1460	4000	< 25.5
35-550K-15GGE/840, W	842 × 37 × 75	16.5	2000	4000	< 26.6
35-550K-20GEE/840, W	1122 × 37 × 75	15.5	1950	4000	< 25.5
35-550K-20GGE/840, W	1122 × 37 × 75	22	2670	4000	< 26.6
35-550K-25GEE/840, W	1403 × 37 × 75	19.3	2440	4000	< 25.5
35-550K-25GGE/840, W	1403 × 37 × 75	27.6	3340	4000	< 26.6
35-550K-30GEE/840, W	1683 × 37 × 75	23.2	2930	4000	< 25.5
35-550K-30GGE/840, W	1683 × 37 × 75	33.1	4010	4000	< 26.6
35-550K-35GEE/840, W	1964 × 37 × 75	27	3420	4000	< 25.5
35-550K-35GGE/840, W	1964 × 37 × 75	38.6	4670	4000	< 26.6
35-550K-40GEE/840, W	2244 × 37 × 75	30.9	3900	4000	< 25.5
35-550K-40GGE/840, W	2244 × 37 × 75	46	5340	4000	< 26.6
35-550K-50GEE/840, W	2805 × 37 × 75	38.6	4880	4000	< 25.5
35-550K-50GGE/840, W	2805 × 37 × 75	55.1	6680	4000	< 26.6
35-550K-60GEE/840, W	3366 × 37 × 75	46.4	5860	4000	< 25.5
35-550K-60GGE/840, W	3366 × 37 × 75	66.1	8020	4000	< 26.6
35-550K-80GEE/840, W	4488 × 37 × 75	61.8	7810	4000	< 25.5
35-550K-80GGE/840, W	4488 × 37 × 75	88.2	10690	4000	< 26.6

AnThese codes represent white luminaires with chromaticity temperature 4000K and opal diffuser.

Notes	Colour of the luminaires	● ● ●
	Colour Temperature	3000 K warm white 4000 K cool white
	Optic system	Opal diffuser
	Connection of the luminaires	ON/OFF DALI
	Ra	80
	Luminaires come complete with all necessary accessories.	

Lina35



Assembly



Energy class

energy_class_g

Light distribution



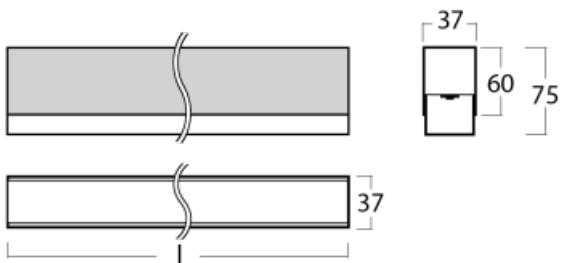
Marks

Code	Dimensions l/w/h (mm)	Power of the luminaire (W)	Luminous flux (lm)	Colour Temperature (K)	UGR
35-500K-10GEE/840, W	566 × 37 × 60	7.7	720	4000	< 25.3
35-500K-10GGE/840, W	566 × 37 × 60	11	990	4000	< 26.4
35-500K-15GGE/840, W	842 × 37 × 60	17.7	1490	4000	< 26.4
35-500K-15GEE/840, W	847 × 37 × 60	11.6	1090	4000	< 25.3
35-500K-20GEE/840, W	1122 × 37 × 60	15.5	1450	4000	< 25.3
35-500K-20GGE/840, W	1122 × 37 × 60	22	1990	4000	< 26.4
35-500K-25GEE/840, W	1403 × 37 × 60	19.3	1820	4000	< 25.3
35-500K-25GGE/840, W	1403 × 37 × 60	27.6	2490	4000	< 26.4
35-500K-30GEE/840, W	1683 × 37 × 60	23.2	2180	4000	< 25.3
35-500K-30GGE/840, W	1683 × 37 × 60	33.1	2990	4000	< 26.4
35-500K-35GEE/840, W	1964 × 37 × 60	27	2550	4000	< 25.3
35-500K-35GGE/840, W	1964 × 37 × 60	38.6	3490	4000	< 26.4
35-500K-40GEE/840, W	2244 × 37 × 60	30.9	2910	4000	< 25.3
35-500K-40GGE/840, W	2244 × 37 × 60	46	3980	4000	< 26.4
35-500K-50GEE/840, W	2805 × 37 × 60	38.6	3640	4000	< 25.3
35-500K-50GGE/840, W	2805 × 37 × 60	55.1	4980	4000	< 26.4
35-500K-60GEE/840, W	3366 × 37 × 60	46.4	4370	4000	< 25.3
35-500K-60GGE/840, W	3366 × 37 × 60	66.1	5980	4000	< 26.4
35-500K-80GEE/840, W	4488 × 37 × 60	61.8	5820	4000	< 25.3
35-500K-80GGE/840, W	4488 × 37 × 60	88.2	7970	4000	< 26.4

AnThese codes represent white luminaires with chromaticity temperature 4000K and opal diffuser.

Notes	Colour of the luminaires	● ● ●
	Colour Temperature	3000 K warm white 4000 K cool white
	Optic system	Opal diffuser
	Connection of the luminaires	ON/OFF DALI
	Ra	80
	Luminaires come complete with all necessary accessories.	

Lina35



Assembly



Energy class

energy_class_g

Light distribution



Marks

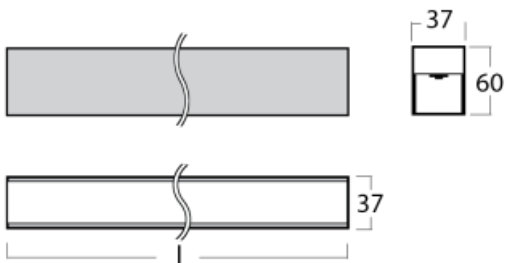
Code	Dimensions l/w/h (mm)	Power of the luminaire (W)	Luminous flux (lm)	Colour Temperature (K)	UGR
35-250K-10GEE/840, W	566 × 37 × 75	7.7	970	4000	< 25.5
35-250K-10GGE/840, W	566 × 37 × 75	11	1330	4000	< 26.6
35-250K-15GEE/840, W	847 × 37 × 75	11.6	1460	4000	< 25.5
35-250K-15GGE/840, W	847 × 37 × 75	16.5	2000	4000	< 26.6
35-250K-20GEE/840, W	1127 × 37 × 75	15.5	1950	4000	< 25.5
35-250K-20GGE/840, W	1127 × 37 × 75	22	2670	4000	< 26.6
35-250K-25GEE/840, W	1408 × 37 × 75	19.3	2440	4000	< 25.5
35-250K-25GGE/840, W	1408 × 37 × 75	27.6	3340	4000	< 26.6
35-250K-30GEE/840, W	1688 × 37 × 75	23.2	2930	4000	< 25.5
35-250K-30GGE/840, W	1688 × 37 × 75	33.1	4010	4000	< 26.6
35-250K-35GEE/840, W	1969 × 37 × 75	27	3420	4000	< 25.5
35-250K-35GGE/840, W	1969 × 37 × 75	38.6	4670	4000	< 26.6
35-250K-40GEE/840, W	2249 × 37 × 75	30.9	3900	4000	< 25.5
35-250K-40GGE/840, W	2249 × 37 × 75	46	5340	4000	< 26.6
35-250K-50GEE/840, W	2810 × 37 × 75	38.6	4880	4000	< 25.5
35-250K-50GGE/840, W	2810 × 37 × 75	82.4	6680	4000	< 26.6
35-250K-60GEE/840, W	3371 × 37 × 75	46.4	5860	4000	< 25.5
35-250K-60GGE/840, W	3371 × 37 × 75	66.1	8020	4000	< 26.6
35-250K-80GEE/840, W	4493 × 37 × 75	61.8	7810	4000	< 25.5
35-250K-80GGE/840, W	4493 × 37 × 75	88.2	10690	4000	< 26.6

AnThese codes represent white luminaires with chromaticity temperature 4000K and opal diffuser.

Notes	Colour of the luminaires	● ● ●
	Colour Temperature	3000 K warm white 4000 K cool white
	Optic system	Opal diffuser
	Connection of the luminaires	ON/OFF DALI
	Ra	80

Luminaires come complete with all necessary accessories.

Lina35



Assembly



Light distribution




Energy class

energy_class_g

Marks

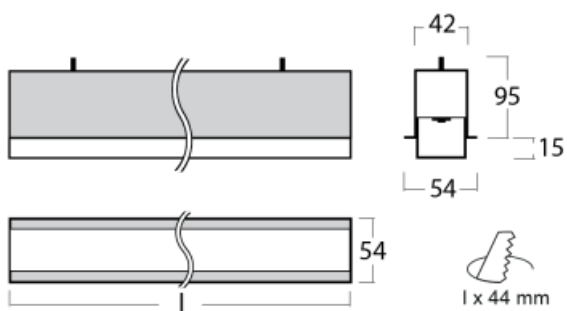
Code	Dimensions l/w/h (mm)	Power of the luminaire (W)	Luminous flux (lm)	Colour Temperature (K)	UGR
35-200K-10GEE/840, W	566 × 37 × 60	7.7	720	4000	< 25.3
35-200K-10GGE/840, W	566 × 37 × 60	11	990	4000	< 26.4
35-200K-15GEE/840, W	847 × 37 × 60	11.6	1090	4000	< 25.3
35-200K-15GGE/840, W	847 × 37 × 60	17.7	1490	4000	< 26.4
35-200K-20GEE/840, W	1127 × 37 × 60	15.5	1450	4000	< 25.3
35-200K-20GGE/840, W	1127 × 37 × 60	22	1990	4000	< 26.4
35-200K-25GEE/840, W	1408 × 37 × 60	19.3	1820	4000	< 25.3
35-200K-25GGE/840, W	1408 × 37 × 60	27.6	2490	4000	< 26.4
35-200K-30GEE/840, W	1688 × 37 × 60	23.2	2180	4000	< 25.3
35-200K-30GGE/840, W	1688 × 37 × 60	33.1	2990	4000	< 26.4
35-200K-35GEE/840, W	1969 × 37 × 60	27	2550	4000	< 25.3
35-200K-35GGE/840, W	1969 × 37 × 60	38.6	3490	4000	< 26.4
35-200K-40GEE/840, W	2249 × 37 × 60	30.9	2910	4000	< 25.3
35-200K-40GGE/840, W	2249 × 37 × 60	46	3980	4000	< 26.4
35-200K-50GEE/840, W	2810 × 37 × 60	38.6	3640	4000	< 25.3
35-200K-50GGE/840, W	2810 × 37 × 60	55.1	4980	4000	< 26.4
35-200K-60GEE/840, W	3371 × 37 × 60	46.4	4370	4000	< 25.3
35-200K-60GGE/840, W	3371 × 37 × 60	66.1	5980	4000	< 26.4
35-200K-80GEE/840, W	4493 × 37 × 60	61.8	5820	4000	< 25.3
35-200K-80GGE/840, W	4493 × 37 × 60	88.2	7970	4000	< 26.4

AnThese codes represent white luminaires with chromaticity temperature 4000K and opal diffuser.

Notes	Colour of the luminaires	
	Colour Temperature	3000 K warm white 4000 K cool white
	Optic system	Opal diffuser
	Connection of the luminaires	ON/OFF DALI
	Ra	80

Luminaires come complete with all necessary accessories.

Lina35



Assembly



Energy class

energy_class_g

Light distribution



Marks

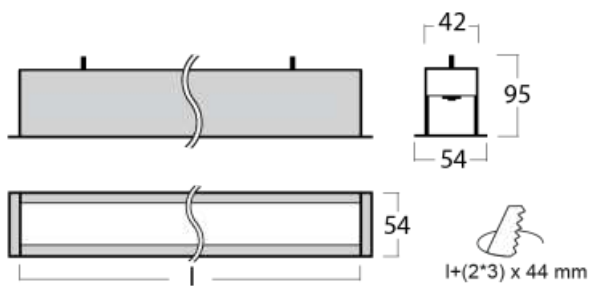
Code	Dimensions l/w/h (mm)	Power of the luminaire (W)	Luminous flux (lm)	Colour Temperature (K)	UGR
35-050K-10GEE/840, W	581 × 54 × 95	7.7	970	4000	< 25.5
35-050K-10GGE/840, W	581 × 54 × 95	11	1330	4000	< 26.6
35-050K-15GEE/840, W	862 × 54 × 95	11.6	1460	4000	< 25.5
35-050K-15GGE/840, W	862 × 54 × 95	16.5	2000	4000	< 26.6
35-050K-20GEE/840, W	1142 × 54 × 95	15.5	1950	4000	< 25.5
35-050K-20GGE/840, W	1142 × 54 × 95	22	2670	4000	< 26.6
35-050K-25GEE/840, W	1423 × 54 × 95	19.3	2440	4000	< 25.5
35-050K-25GGE/840, W	1423 × 54 × 95	27.6	3340	4000	< 26.6
35-050K-30GEE/840, W	1703 × 54 × 95	23.2	2930	4000	< 25.5
35-050K-30GGE/840, W	1703 × 54 × 95	33.1	4010	4000	< 26.6
35-050K-35GEE/840, W	1984 × 54 × 95	27	3420	4000	< 25.5
35-050K-35GGE/840, W	1984 × 54 × 95	38.6	4670	4000	< 26.6
35-050K-40GEE/840, W	2264 × 54 × 95	30.9	3900	4000	< 25.5
35-050K-40GGE/840, W	2264 × 54 × 95	46	5340	4000	< 26.6
35-050K-50GEE/840, W	2825 × 54 × 95	38.6	4880	4000	< 25.5
35-050K-50GGE/840, W	2825 × 54 × 95	55.1	6680	4000	< 26.6
35-050K-60GEE/840, W	3386 × 54 × 95	46.4	5860	4000	< 25.5
35-050K-60GGE/840, W	3386 × 54 × 95	66.1	8020	4000	< 26.6
35-050K-80GEE/840, W	4508 × 54 × 95	61.8	7810	4000	< 25.5
35-050K-80GGE/840, W	4508 × 54 × 95	88.2	10690	4000	< 26.6

AnThese codes represent white luminaires with chromaticity temperature 4000K and opal diffuser.

Notes	Colour of the luminaires	● ● ●
	Colour Temperature	3000 K warm white 4000 K cool white
	Optic system	Opal diffuser
	Connection of the luminaires	ON/OFF DALI
	Ra	80

Luminaires come complete with all necessary accessories.

Lina35



Assembly



Energy class

energy_class_g

Light distribution




Marks

Code	Dimensions l/w/h (mm)	Power of the luminaire (W)	Luminous flux (lm)	Colour Temperature (K)	UGR
35-000K-10GEE/840, W	581 × 54 × 95	7.7	720	4000	< 25.5
35-000K-10GGE/840, W	581 × 54 × 95	11	990	4000	< 26.6
35-000K-15GEE/840, W	862 × 54 × 95	11.6	1090	4000	< 25.5
35-000K-15GGE/840, W	862 × 54 × 95	16.5	1490	4000	< 26.6
35-000K-20GEE/840, W	1142 × 54 × 95	15.5	1450	4000	< 25.3
35-000K-20GGE/840, W	1142 × 54 × 95	23.9	1990	4000	< 26.4
35-000K-25GEE/840, W	1423 × 54 × 95	19.3	1820	4000	< 25.3
35-000K-25GGE/840, W	1423 × 54 × 95	27.6	2490	4000	< 26.4
35-000K-30GEE/840, W	1703 × 54 × 95	23.2	2180	4000	< 25.3
35-000K-30GGE/840, W	1703 × 54 × 95	33.1	2990	4000	< 26.4
35-000K-35GEE/840, W	1984 × 54 × 95	27	2550	4000	< 25.3
35-000K-35GGE/840, W	1984 × 54 × 95	38.6	3490	4000	< 26.4
35-000K-40GEE/840, W	2264 × 54 × 95	30.9	2910	4000	< 25.3
35-000K-40GGE/840, W	2264 × 54 × 95	46	3980	4000	< 26.4
35-000K-50GEE/840, W	2825 × 54 × 95	38.6	3640	4000	< 25.3
35-000K-50GGE/840, W	2825 × 54 × 95	55.1	4980	4000	< 26.4
35-000K-60GEE/840, W	3386 × 54 × 95	46.4	4370	4000	< 25.3
35-000K-60GGE/840, W	3386 × 54 × 95	66.1	5980	4000	< 26.4
35-000K-80GEE/840, W	4508 × 54 × 95	61.8	5820	4000	< 25.3
35-000K-80GGE/840, W	4508 × 54 × 95	88.2	7970	4000	< 26.4

AnThese codes represent white luminaires with chromaticity temperature 4000K and opal diffuser.

Notes

Colour of the luminaires 

Colour Temperature 3000 K warm white
4000 K cool white

Optic system Opal diffuser

Connection of the luminaires ON/OFF
DALI

Ra 80

Luminaires come complete with all necessary accessories.

Accessories



Type of installation	Recessed
Light distribution	Direct
Colour of the luminaires	Black, Silver, White
Colour Temperature	3000 K warm white, 4000 K cool white
Material	Aluminium
Light source	LED MODUL
MacAdam Light source	2
Connection of the luminaires	ON/OFF DALI
Lifetime	L90/B50 50 000 hours
Warranty	60 months

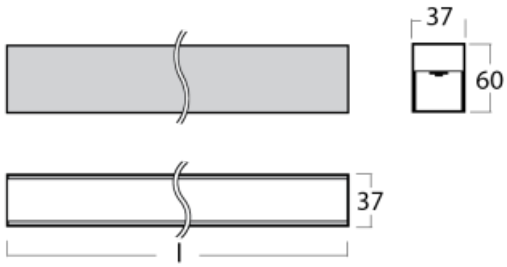
Family

Lina35-S

The linear system luminaires of the Lina35-S family provide one of the thinnest profiles in our product range. The luminaires with direct distribution of light are available in the pendant, surface, and recessed versions for ceiling installations and can also be mounted on the wall. In any case, you can line the luminaires up in a row thus creating the ideal length to meet your needs. Thanks to the option to extend and retract the opal diffuser, you can find the ideal combination of lights for a specific interior according to your needs. Thanks to this variability, Lina35-S can be used in virtually any area, but especially in the social, public and commercial ones. Luminaires with an extended diffuser diffuse their light into a significantly larger area thus helping to soften the entire interior.

Luminaire family variants Lina35-S




Lina35-S**Assembly****Light distribution****Energy class**

energy_class_g

Marks

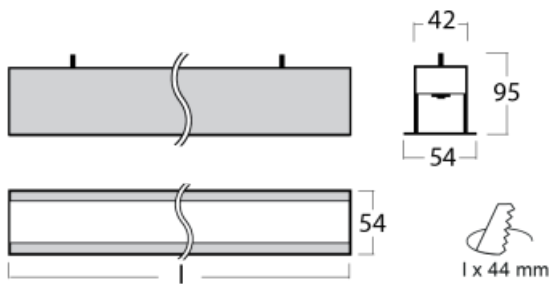
Code	Dimensions l/w/h (mm)	Power of the luminaire (W)	Luminous flux (lm)	Colour Temperature (K)	UGR
35S-200K-10GEE/840, W	561 × 37 × 60	7.7	720	4000	< 25.3
35S-200K-10GGE/840, W	561 × 37 × 60	11	990	4000	< 26.4
35S-200K-15GEE/840, W	842 × 37 × 60	11.6	1090	4000	< 25.3
35S-200K-15GGE/840, W	842 × 37 × 60	17.7	1490	4000	< 26.4
35S-200K-20GEE/840, W	1122 × 37 × 60	15.5	1450	4000	< 25.3
35S-200K-20GGE/840, W	1122 × 37 × 60	22	1990	4000	< 26.4
35S-200K-25GEE/840, W	1403 × 37 × 60	19.3	1820	4000	< 25.3
35S-200K-25GGE/840, W	1403 × 37 × 60	27.6	2490	4000	< 26.4
35S-200K-30GEE/840, W	1683 × 37 × 60	23.2	2180	4000	< 25.3
35S-200K-30GGE/840, W	1683 × 37 × 60	33.1	2990	4000	< 26.4
35S-200K-35GEE/840, W	1964 × 37 × 60	27	2550	4000	< 25.3
35S-200K-35GGE/840, W	1964 × 37 × 60	38.6	3490	4000	< 26.4
35S-200K-40GEE/840, W	2244 × 37 × 60	30.9	2910	4000	< 25.3
35S-200K-40GGE/840, W	2244 × 37 × 60	46	3980	4000	< 26.4
35S-200K-50GEE/840, W	2805 × 37 × 60	38.6	3640	4000	< 25.3
35S-200K-50GGE/840, W	2805 × 37 × 60	55.1	4980	4000	< 26.4
35S-200K-60GEE/840, W	3366 × 37 × 60	46.4	4370	4000	< 25.3
35S-200K-60GGE/840, W	3366 × 37 × 60	66.1	5980	4000	< 26.4
35S-200K-80GEE/840, W	4488 × 37 × 60	61.8	5820	4000	< 25.3
35S-200K-80GGE/840, W	4488 × 37 × 60	88.2	7970	4000	< 26.4

AnThese codes represent white luminaires with chromaticity temperature 4000K and opal diffuser.

Notes	Colour of the luminaires	
	Colour Temperature	3000 K warm white 4000 K cool white
	Optic system	Opal diffuser
	Connection of the luminaires	ON/OFF DALI
	Ra	80

End caps, suspensions, supply cables, and ceiling cup for luminaires must be ordered separately. To connect into systems, please order the respective number of couplers.

Lina35-S



Assembly



Energy class

energy_class_g


Light distribution



Marks

Code	Dimensions l/w/h (mm)	Power of the luminaire (W)	Luminous flux (lm)	Colour Temperature (K)	UGR
35S-000K-10GEE/840, W	561 × 54 × 95	7.7	720	4000	< 25.5
35S-000K-10GGE/840, W	561 × 54 × 95	11	990	4000	< 26.6
35S-000K-15GEE/840, W	842 × 54 × 95	11.6	1090	4000	< 25.5
35S-000K-15GGE/840, W	842 × 54 × 95	16.5	1490	4000	< 26.6
35S-000K-20GEE/840, W	1122 × 54 × 95	15.5	1450	4000	< 25.3
35S-000K-20GGE/840, W	1122 × 54 × 95	23.9	1990	4000	< 26.4
35S-000K-25GEE/840, W	1403 × 54 × 95	19.3	1820	4000	< 25.3
35S-000K-25GGE/840, W	1403 × 54 × 95	27.6	2490	4000	< 26.4
35S-000K-30GEE/840, W	1683 × 54 × 95	23.2	2180	4000	< 25.3
35S-000K-30GGE/840, W	1683 × 54 × 95	33.1	2990	4000	< 26.4
35S-000K-35GEE/840, W	1964 × 54 × 95	27	2550	4000	< 25.3
35S-000K-35GGE/840, W	1964 × 54 × 95	38.6	3490	4000	< 26.4
35S-000K-40GEE/840, W	2244 × 54 × 95	30.9	2910	4000	< 25.3
35S-000K-40GGE/840, W	2244 × 54 × 95	46	3980	4000	< 26.4

AnThese codes represent white luminaires with chromaticity temperature 4000K and opal diffuser.

Notes	Colour of the luminaires	
	Colour Temperature	3000 K warm white 4000 K cool white
	Optic system	Opal diffuser
	Connection of the luminaires	ON/OFF DALI
	Ra	80

The appropriate quantity of terminals must be ordered for the luminaires. Order the appropriate quantity of connectors for connecting in the series.

Accessories



Code	Description
00-00350, K	cable 3x0,75 1000mm
00-00352, K	cable 3x0,75 2000mm
00-00354, K	cable 5x0,75 1000mm
00-00355, K	cable 5x0,75 2000mm
00-00356, K	cable 5x0,75 4000mm
00-00357, K	cable 5x0,75 6000mm
00-00358, K	cable 3x0,75 4000mm
00-00360, K	cable 3x0,75 6000mm



Code	Description
00-00370, W	ceiling cup 80x80x32mm

Notes

Accessories colour





Family

Lina45



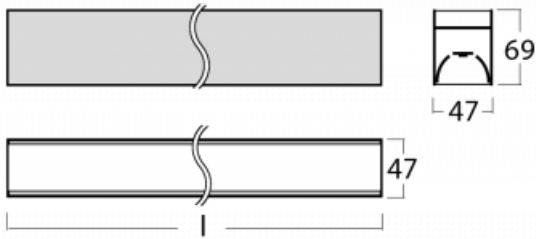
Imagine a linear luminaire that can satisfy all your needs: it meets UGR, has high efficiency and you can build it to your specifications. And it looks great too. The Lina45 offers opal, microprism and optical louvre variants, so it can easily meet both UGR under 19 at 4300 lm luminous flux. It is a great solution for visually demanding spaces, as it even meets UGR under 16 in some variants. The indirect lighting component is provided by a clear plexi option or a wide-lighting diffuser (batwing distribution), which creates more even ceiling illumination.

Type of installation	Recessed
Light distribution	Direct
Colour of the luminaires	Black, Silver, White
Colour Temperature	3000 K warm white, 4000 K cool white
Material	Aluminium
Light source	LED MODUL
MacAdam Light source	3
Connection of the luminaires	ON/OFF DALI
Lifetime	L90/B50 50 000 hours
Warranty	60 months

Luminaire family variants Lina45



Lina45
Assembly
Light distribution

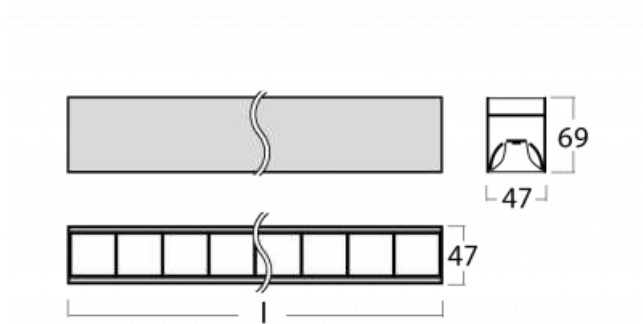
Energy class
Marks


Code	Dimensions l/w/h (mm)	Power of the luminaire (W)	Luminous flux (lm)	Colour Temperature (K)	UGR
145-2C0K-10GEE/840, W	566 × 47 × 69	8.5	1240	4000	< 26
145-2C0K-10GGE/840, W	566 × 47 × 69	13.1	1940	4000	< 27.6
145-2C0K-15GEE/840, W	847 × 47 × 69	12.2	1870	4000	< 26
145-2C0K-15GGE/840, W	847 × 47 × 69	19	2920	4000	< 27.6
145-2C0K-20GEE/840, W	1127 × 47 × 69	15.8	2490	4000	< 26.1
145-2C0K-20GGE/840, W	1127 × 47 × 69	24.9	3890	4000	< 27.6
145-2C0K-25GEE/840, W	1408 × 47 × 69	19.8	3110	4000	< 26.1
145-2C0K-25GGE/840, W	1408 × 47 × 69	31	4870	4000	< 27.6
145-2C0K-30GEE/840, W	1688 × 47 × 69	23.4	3740	4000	< 26.1
145-2C0K-30GGE/840, W	1688 × 47 × 69	36.7	5840	4000	< 27.6
145-2C0K-35GEE/840, W	1969 × 47 × 69	27	4360	4000	< 26.1
145-2C0K-35GGE/840, W	1969 × 47 × 69	42.4	6820	4000	< 27.6
145-2C0K-40GEE/840, W	2249 × 47 × 69	30.5	4980	4000	< 26.1
145-2C0K-40GGE/840, W	2249 × 47 × 69	47.9	7790	4000	< 27.6

AnThese codes represent white luminaires with chromaticity temperature 4000K and opal diffuser.

Notes	Colour of the luminaires	● ● ●
	Colour Temperature	3000 K warm white 4000 K cool white
	Optic system	Microprisma Opal diffuser
	Connection of the luminaires	ON/OFF DALI ON/OFF + 1h emergency ON/OFF + 3h emergency
	Ra	80
	Luminaires come complete with all necessary accessories.	

Lina45



Assembly



Energy class


Light distribution



Marks

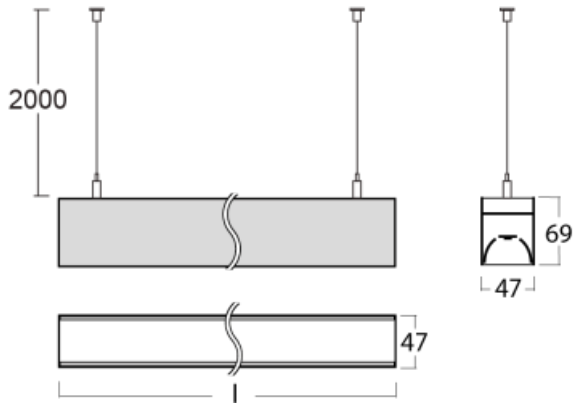
Code	Dimensions l/w/h (mm)	Power of the luminaire (W)	Luminous flux (lm)	Colour Temperature (K)	UGR
145-2C0Z-10GEE/840, W	566 × 47 × 69	12.3	1710	4000	< 18.1
145-2C0Z-10GGE/840, W	566 × 47 × 69	16.1	2250	4000	< 19.1
145-2C0Z-15GEE/840, W	847 × 47 × 69	17.7	2570	4000	< 18.1
145-2C0Z-15GGE/840, W	847 × 47 × 69	24.1	3380	4000	< 19.1
145-2C0Z-20GEE/840, W	1127 × 47 × 69	23.6	3420	4000	< 18.1
145-2C0Z-20GGE/840, W	1127 × 47 × 69	32.3	4500	4000	< 19.1
145-2C0Z-25GEE/840, W	1408 × 47 × 69	28.8	4280	4000	< 18.1
145-2C0Z-25GGE/840, W	1408 × 47 × 69	39.2	5630	4000	< 19.1
145-2C0Z-30GEE/840, W	1688 × 47 × 69	34.9	5130	4000	< 18.1
145-2C0Z-30GGE/840, W	1688 × 47 × 69	46.3	6760	4000	< 19.1
145-2C0Z-35GEE/840, W	1969 × 47 × 69	40.1	5990	4000	< 18.1
145-2C0Z-35GGE/840, W	1969 × 47 × 69	53.1	7880	4000	< 19.1
145-2C0Z-40GEE/840, W	2249 × 47 × 69	45.3	6850	4000	< 18.1
145-2C0Z-40GGE/840, W	2249 × 47 × 69	61	9010	4000	< 19.1

AnThese codes represent white luminaires with chromaticity temperature 4000K and plastic louvre.

Notes	Colour of the luminaires	
	Colour Temperature	3000 K warm white 4000 K cool white
	Optic system	Plastic louvre low UGR
	Connection of the luminaires	ON/OFF DALI ON/OFF + 1h emergency ON/OFF + 3h emergency
	Ra	80

Luminaires come complete with all necessary accessories.

Lina45



Assembly



Energy class

Light distribution



Marks

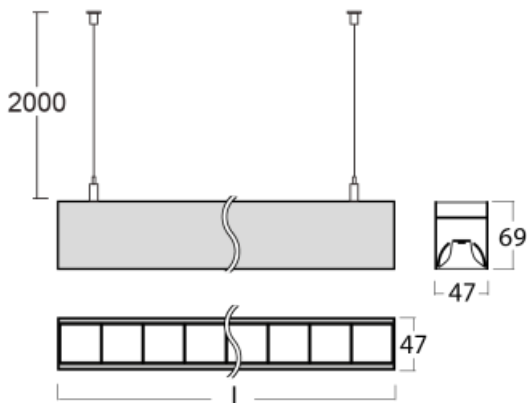
Code	Dimensions l/w/h (mm)	Power of the luminaire (W)	Luminous flux (lm)	Colour Temperature (K)	UGR
145-5C0K-10GEE/840, W	566 × 47 × 69	8.5	1240	4000	< 26
145-5C1K-10GEE/840, W	566 × 47 × 69	12.2	1870	4000	< 23.6
145-5C0K-10GGE/840, W	566 × 47 × 69	13.1	1940	4000	< 27.6
145-5C1K-10GGE/840, W	566 × 47 × 69	19.7	2920	4000	< 25.1
145-5C0K-15GEE/840, W	847 × 47 × 69	12.2	1870	4000	< 26.1
145-5C0K-15GGE/840, W	847 × 47 × 69	19	2920	4000	< 27.6
145-5C1K-15GEE/840, W	847 × 47 × 69	20.3	3120	4000	< 23
145-5C1K-15GGE/840, W	847 × 47 × 69	31.7	4870	4000	< 24.6
145-5C0K-20GEE/840, W	1127 × 47 × 69	15.8	2490	4000	< 26.1
145-5C0K-20GGE/840, W	1127 × 47 × 69	24.9	3890	4000	< 27.6
145-5C1K-20GEE/840, W	1127 × 47 × 69	27.4	4370	4000	< 22.8
145-5C1K-20GGE/840, W	1127 × 47 × 69	43.6	6830	4000	< 24.3
145-5C0K-25GEE/840, W	1408 × 47 × 69	19.8	3110	4000	< 26.1
145-5C0K-25GGE/840, W	1408 × 47 × 69	31	4870	4000	< 27.6
145-5C1K-25GEE/840, W	1408 × 47 × 69	35.3	5620	4000	< 22.7
145-5C1K-25GGE/840, W	1408 × 47 × 69	55.7	8780	4000	< 24.2
145-5C0K-30GEE/840, W	1688 × 47 × 69	23.4	3740	4000	< 26.1
145-5C0K-30GGE/840, W	1688 × 47 × 69	36.7	5840	4000	< 27.6
145-5C1K-30GEE/840, W	1688 × 47 × 69	42.4	6870	4000	< 22.6
145-5C1K-30GGE/840, W	1688 × 47 × 69	67.4	10730	4000	< 24.1
145-5C0K-35GEE/840, W	1969 × 47 × 69	27	4360	4000	< 26.1
145-5C0K-35GGE/840, W	1969 × 47 × 69	42.4	6820	4000	< 27.6
145-5C1K-35GEE/840, W	1969 × 47 × 69	49.5	8110	4000	< 22.5
145-5C1K-35GGE/840, W	1969 × 47 × 69	78.7	12680	4000	< 24.1
145-5C0K-40GEE/840, W	2249 × 47 × 69	30.5	4980	4000	< 26.1
145-5C0K-40GGE/840, W	2249 × 47 × 69	47.9	7790	4000	< 27.6
145-5C1K-40GEE/840, W	2249 × 47 × 69	56.5	9360	4000	< 22.5
145-5C1K-40GGE/840, W	2249 × 47 × 69	89.8	14630	4000	< 24

AnThese codes represent white luminaires with chromaticity temperature 4000K and opal diffuser.

Notes	Colour of the luminaires	● ● ●
	Colour Temperature	3000 K warm white 4000 K cool white
	Optic system	Microprisma Opal diffuser
	Connection of the luminaires	ON/OFF DALI ON/OFF + 1h emergency ON/OFF + 3h emergency
	Ra	80

Luminaires come complete with all necessary accessories.

Lina45



Assembly



Light distribution



Energy class

Marks

Code	Dimensions l/w/h (mm)	Power of the luminaire (W)	Luminous flux (lm)	Colour Temperature (K)	UGR
145-5C0Z-10GEE/840, W	566 × 47 × 69	12.3	1710	4000	< 18.1
145-5C0Z-10GGE/840, W	566 × 47 × 69	16.1	2250	4000	< 19.1
145-5C1Z-10GEE/840, W	566 × 47 × 69	17.7	2610	4000	< 15.2
145-5C1Z-10GGE/840, W	566 × 47 × 69	24.1	3440	4000	< 16.1
145-5C0Z-15GEE/840, W	847 × 47 × 69	17.7	2570	4000	< 18.1
145-5C0Z-15GGE/840, W	847 × 47 × 69	24.1	3380	4000	< 19.1
145-5C1Z-15GEE/840, W	847 × 47 × 69	28.8	4370	4000	< 14.6
145-5C1Z-15GGE/840, W	847 × 47 × 69	39.2	5750	4000	< 15.6
145-5C0Z-20GEE/840, W	1127 × 47 × 69	23.6	3420	4000	< 18.1
145-5C0Z-20GGE/840, W	1127 × 47 × 69	32.3	4500	4000	< 19.1
145-5C1Z-20GEE/840, W	1127 × 47 × 69	40.1	6120	4000	< 14.3
145-5C1Z-20GGE/840, W	1127 × 47 × 69	53.1	8060	4000	< 15.3
145-5C0Z-25GEE/840, W	1408 × 47 × 69	28.8	4280	4000	< 18.1
145-5C0Z-25GGE/840, W	1408 × 47 × 69	39.2	5630	4000	< 19.1
145-5C1Z-25GEE/840, W	1408 × 47 × 69	50.9	7880	4000	< 14.2
145-5C1Z-25GGE/840, W	1408 × 47 × 69	70.2	10370	4000	< 15.2
145-5C0Z-30GEE/840, W	1688 × 47 × 69	34.9	5130	4000	< 18.1
145-5C0Z-30GGE/840, W	1688 × 47 × 69	46.3	6760	4000	< 19.1
145-5C1Z-30GEE/840, W	1688 × 47 × 69	63.7	9640	4000	< 14.1
145-5C1Z-30GGE/840, W	1688 × 47 × 69	83.4	12690	4000	< 15.1
145-5C0Z-35GEE/840, W	1969 × 47 × 69	40.1	5990	4000	< 18.1
145-5C0Z-35GGE/840, W	1969 × 47 × 69	53.1	7880	4000	< 19.1
145-5C1Z-35GEE/840, W	1969 × 47 × 69	74.4	11400	4000	< 14.1
145-5C1Z-35GGE/840, W	1969 × 47 × 69	99.7	15000	4000	< 15
145-5C0Z-40GEE/840, W	2249 × 47 × 69	45.3	6850	4000	< 18.1
145-5C0Z-40GGE/840, W	2249 × 47 × 69	61	9010	4000	< 19.1
145-5C1Z-40GEE/840, W	2249 × 47 × 69	83.4	13150	4000	< 14
145-5C1Z-40GGE/840, W	2249 × 47 × 69	114.4	17310	4000	< 15

AnThese codes represent white luminaires with chromaticity temperature 4000K and plastic louvre.

Notes	Colour of the luminaires	● ● ●
	Colour Temperature	3000 K warm white 4000 K cool white
	Optic system	Plastic louvre low UGR
	Connection of the luminaires	ON/OFF DALI ON/OFF + 1h emergency ON/OFF + 3h emergency
	Ra	80

Luminaires come complete with all necessary accessories.

Accessories



Family

Lina45-S

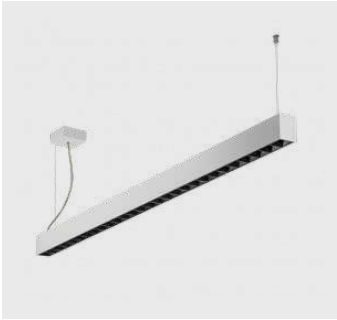


Imagine a linear luminaire that can satisfy all your needs: it meets UGR, has high efficiency and you can build it to your specifications. And it looks great too. The Lina45-S offers opal, microprism and optical louvre variants, so it can easily meet both UGR under 19 at 4300 lm luminous flux. It is a great solution for visually demanding spaces, as it even meets UGR under 16 in some variants. The indirect lighting component is provided by a clear plexi option or a wide-lighting diffuser (batwing distribution), which creates more even ceiling illumination. Another welcome feature is the option of a curtain at the joint of the profiles, which are also fitted with caps to prevent even minimal draughts. The individual segments are easily connected using connectors and plugged into 230 V.

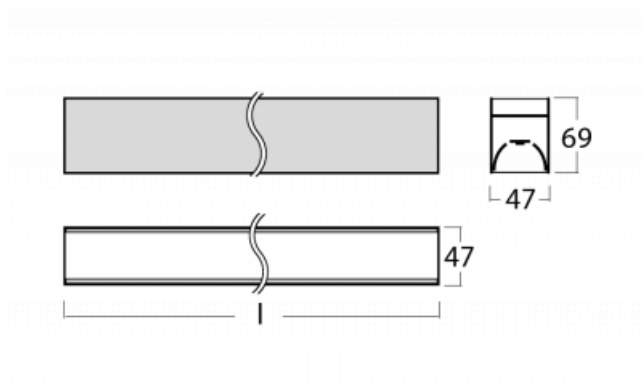
Type of installation	Suspended
Light distribution	Direct, Direct-indirect clear plexi, Direct-indirect wide-lighting distribution
Colour of the luminaires	Black, Silver, White
Colour Temperature	3000 K warm white, 4000 K cool white
Material	Aluminium
Light source	LED MODUL
MacAdam Light source	3
Connection of the luminaires	ON/OFF DALI ON/OFF + 1h emergency ON/OFF + 3h emergency
Lifetime	L80/B20 50 000 hours
Warranty	60 months

Luminaire family variants Lina45-S





Lina45-S



Assembly



Light distribution




Energy class

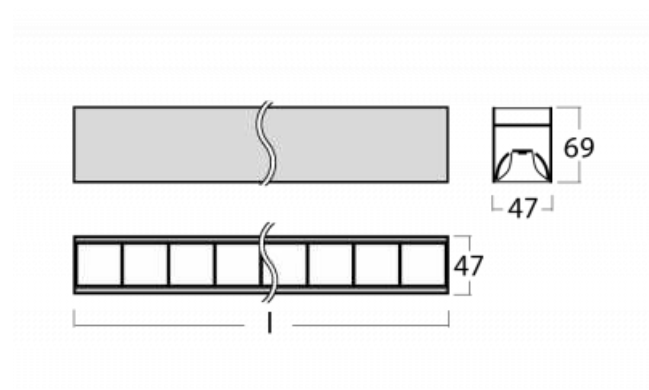
Marks

Code	Dimensions l/w/h (mm)	Power of the luminaire (W)	Luminous flux (lm)	Colour Temperature (K)	UGR
145S-2C0K-10GEE/840, W	561 × 47 × 69	8.5	1240	4000	< 26
145S-5C1K-10GEE/840, W	561 × 47 × 69	12.2	1870	4000	< 23.6
145S-2C0K-10GGE/840, W	561 × 47 × 69	13.1	1940	4000	< 27.6
145S-5C1K-10GGE/840, W	561 × 47 × 69	19.7	2920	4000	< 25.1
145S-2C0K-15GEE/840, W	842 × 47 × 69	12.2	1870	4000	< 26
145S-2C0K-15GGE/840, W	842 × 47 × 69	19	2920	4000	< 27.6
145S-5C1K-15GEE/840, W	842 × 47 × 69	20.3	3120	4000	< 23
145S-5C1K-15GGE/840, W	842 × 47 × 69	31.7	4870	4000	< 24.6
145S-2C0K-20GEE/840, W	1122 × 47 × 69	15.8	2490	4000	< 26.1
145S-2C0K-20GGE/840, W	1122 × 47 × 69	24.9	3890	4000	< 27.6
145S-5C1K-20GEE/840, W	1122 × 47 × 69	27.4	4370	4000	< 22.8
145S-5C1K-20GGE/840, W	1122 × 47 × 69	43.6	6830	4000	< 24.3
145S-2C0K-25GEE/840, W	1403 × 47 × 69	19.8	3110	4000	< 26.1
145S-2C0K-25GGE/840, W	1403 × 47 × 69	31	4870	4000	< 27.6
145S-5C1K-25GEE/840, W	1403 × 47 × 69	35.3	5620	4000	< 22.7
145S-5C1K-25GGE/840, W	1403 × 47 × 69	55.7	8780	4000	< 24.2
145S-2C0K-30GEE/840, W	1683 × 47 × 69	23.4	3740	4000	< 26.1
145S-2C0K-30GGE/840, W	1683 × 47 × 69	36.7	5840	4000	< 27.6
145S-5C1K-30GEE/840, W	1683 × 47 × 69	42.4	6870	4000	< 22.6
145S-5C1K-30GGE/840, W	1683 × 47 × 69	67.4	10730	4000	< 24.1
145S-2C0K-35GEE/840, W	1964 × 47 × 69	27	4360	4000	< 26.1
145S-2C0K-35GGE/840, W	1964 × 47 × 69	42.4	6820	4000	< 27.6
145S-5C1K-35GEE/840, W	1964 × 47 × 69	49.5	8110	4000	< 22.5
145S-5C1K-35GGE/840, W	1964 × 47 × 69	78.7	12680	4000	< 24.1
145S-2C0K-40GEE/840, W	2244 × 47 × 69	30.5	4980	4000	< 26.1
145S-2C0K-40GGE/840, W	2244 × 47 × 69	47.9	7790	4000	< 27.6
145S-5C1K-40GEE/840, W	2244 × 47 × 69	56.5	9360	4000	< 22.5
145S-5C1K-40GGE/840, W	2244 × 47 × 69	89.8	14630	4000	< 24

AnThese codes represent white luminaires with chromaticity temperature 4000K and opal diffuser.

Notes	Colour of the luminaires	
	Colour Temperature	3000 K warm white 4000 K cool white
	Optic system	Microprisma Opal diffuser
	Connection of the luminaires	ON/OFF DALI ON/OFF + 1h emergency ON/OFF + 3h emergency
	Ra	80
	End caps, cups, supply cable, and wire suspension for luminaires must be ordered separately. For connection into systems, please order the respective number of couplers, disassembly sets, or a supplementary cable for emergency systems.	

Lina45-S



Assembly



Energy class


Light distribution



Marks

Code	Dimensions l/w/h (mm)	Power of the luminaire (W)	Luminous flux (lm)	Colour Temperature (K)	UGR
145S-2C0Z-10GEE/840, W	561 × 47 × 69	12.3	1710	4000	< 18.1
145S-2C0Z-10GGE/840, W	561 × 47 × 69	16.1	2250	4000	< 19.1
145S-5C1Z-10GEE/840, W	561 × 47 × 69	17.7	2610	4000	< 15.2
145S-5C1Z-10GGE/840, W	561 × 47 × 69	24.1	3440	4000	< 16.1
145S-2C0Z-15GEE/840, W	842 × 47 × 69	17.7	2570	4000	< 18.1
145S-2C0Z-15GGE/840, W	842 × 47 × 69	24.1	3380	4000	< 19.1
145S-5C1Z-15GEE/840, W	842 × 47 × 69	28.8	4370	4000	< 14.6
145S-5C1Z-15GGE/840, W	842 × 47 × 69	39.2	5750	4000	< 15.6
145S-2C0Z-20GEE/840, W	1122 × 47 × 69	23.6	3420	4000	< 18.1
145S-2C0Z-20GGE/840, W	1122 × 47 × 69	32.3	4500	4000	< 19.1
145S-5C1Z-20GEE/840, W	1122 × 47 × 69	40.1	6120	4000	< 14.3
145S-5C1Z-20GGE/840, W	1122 × 47 × 69	53.1	8060	4000	< 15.3
145S-2C0Z-25GEE/840, W	1403 × 47 × 69	28.8	4280	4000	< 18.1
145S-2C0Z-25GGE/840, W	1403 × 47 × 69	39.2	5630	4000	< 19.1
145S-5C1Z-25GEE/840, W	1403 × 47 × 69	50.9	7880	4000	< 14.2
145S-5C1Z-25GGE/840, W	1403 × 47 × 69	70.2	10370	4000	< 15.2
145S-2C0Z-30GEE/840, W	1683 × 47 × 69	34.9	5130	4000	< 18.1
145S-2C0Z-30GGE/840, W	1683 × 47 × 69	46.3	6760	4000	< 19.1
145S-5C1Z-30GEE/840, W	1683 × 47 × 69	63.7	9640	4000	< 14.1
145S-5C1Z-30GGE/840, W	1683 × 47 × 69	83.4	12690	4000	< 15.1
145S-2C0Z-35GEE/840, W	1964 × 47 × 69	40.1	5990	4000	< 18.1
145S-2C0Z-35GGE/840, W	1964 × 47 × 69	53.1	7880	4000	< 19.1
145S-5C1Z-35GEE/840, W	1964 × 47 × 69	74.4	11400	4000	< 14.1
145S-5C1Z-35GGE/840, W	1964 × 47 × 69	99.7	15000	4000	< 15
145S-2C0Z-40GEE/840, W	2244 × 47 × 69	45.3	6850	4000	< 18.1
145S-2C0Z-40GGE/840, W	2244 × 47 × 69	61	9010	4000	< 19.1
145S-5C1Z-40GEE/840, W	2244 × 47 × 69	83.4	13150	4000	< 14
145S-5C1Z-40GGE/840, W	2244 × 47 × 69	114.4	17310	4000	< 15

AnThese codes represent white luminaires with chromaticity temperature 4000K and plastic louvre.

Notes	Colour of the luminaires	
	Colour Temperature	3000 K warm white 4000 K cool white
	Optic system	Plastic louvre low UGR
	Connection of the luminaires	ON/OFF DALI ON/OFF + 1h emergency ON/OFF + 3h emergency
	Ra	80

End caps, cups, supply cable, and wire suspension for luminaires must be ordered separately. For connection into systems, please order the respective number of couplers, disassembly sets, or a supplementary cable for emergency systems.

Lina45-S

Assembly




Light distribution



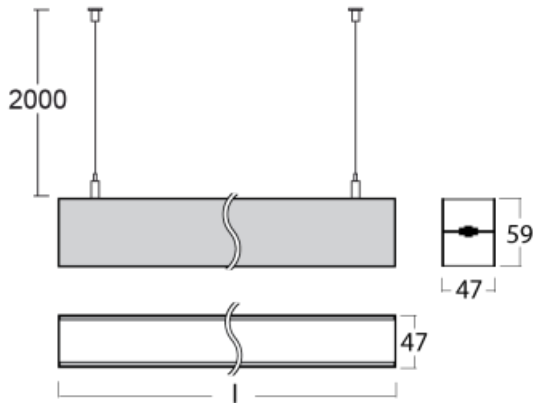
Energy class

Marks

Notes	Colour of the luminaires	
	Colour Temperature	3000 K warm white 4000 K cool white
	Optic system	Microprisma Opal diffuser
	Connection of the luminaires	ON/OFF DALI Other type of dimming

End caps, cups, supply cable, and wire suspension for luminaires must be ordered separately. For connection into systems, please order the respective number of couplers, disassembly sets, or a supplementary cable for emergency systems.

Lina45-S



Assembly

Light distribution

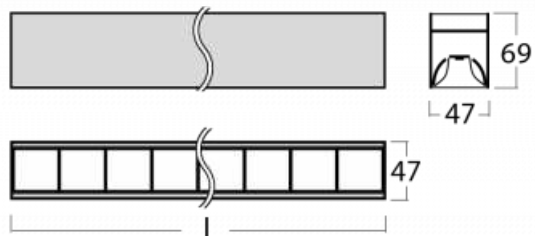
Energy class

Marks

energy_class_g

Notes End caps, cups, supply cable, and wire suspension for luminaires must be ordered separately. For connection into systems, please order the respective number of couplers, disassembly sets, or a supplementary cable for emergency systems.

Lina45-S



Assembly

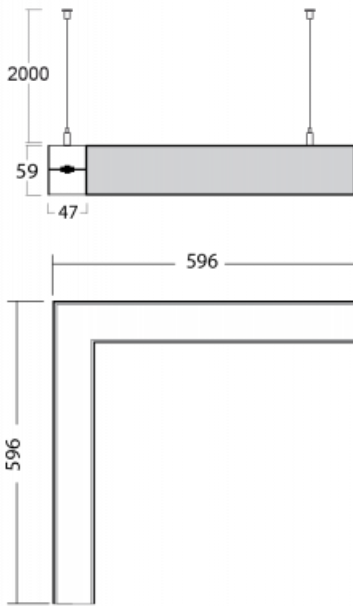
Light distribution

Energy class

Marks

Notes

Lina45-S



Assembly

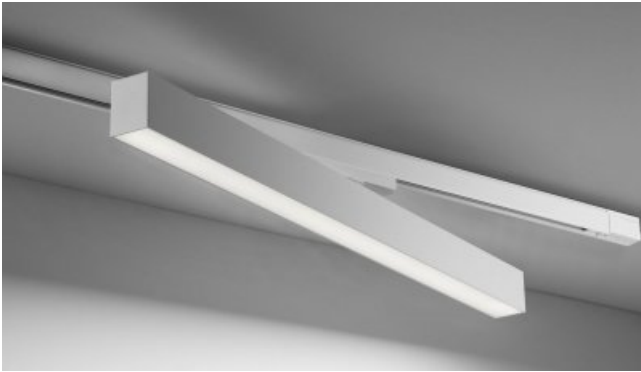
Light distribution

Energy class

Marks

Notes End caps, cups, supply cable, and wire suspension for luminaires must be ordered separately. For connection into systems, please order the respective number of couplers, disassembly sets, or a supplementary cable for emergency systems.

Accessories



Type of installation	Surface, Suspended
Light distribution	Direct, Direct-indirect clear plexi
Colour of the luminaires	Black, Silver, White
Colour Temperature	3000 K warm white, 4000 K cool white
Material	Aluminium
Light source	LED MODUL
Connection of the luminaires	ON/OFF DALI Other type of dimming
Lifetime	L80/B20 0 hours

Family

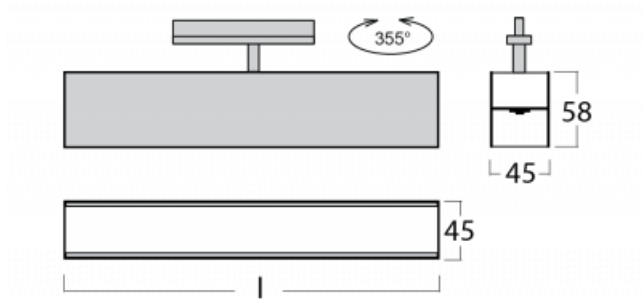
Lina45-T

The Lina45-T luminaires are based on the concept of Lina45 luminaires. In this case, however, the luminaires are installed in three-circuit tracks. These track luminaires with a profile width of only 45 mm are suitable for supplementing accent lighting provided by other luminaires from our product range, for example Vali55-T. With its diffused light, Lina45-T helps to balance the lighting in the room by illuminating the communication zones, especially in the sales areas. The luminaires feature a support adapter in which the luminaire can be rotated along the Z axis thus modifying the arrangement of the system and also partially direct the light in a given space.

Luminaire family variants Lina45-T



Lina45-T



Assembly



Energy class

energy_class_g

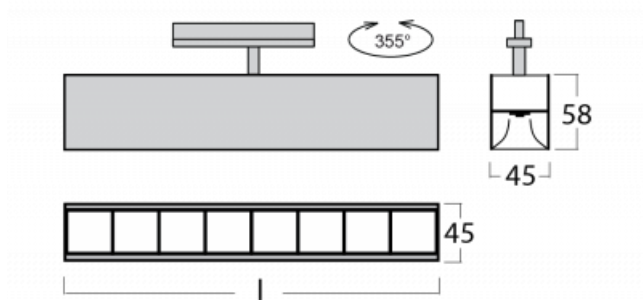
Light distribution



Marks

Notes	Colour of the luminaires	● ● ●
	Colour Temperature	3000 K warm white 4000 K cool white
	Optic system	Microprisma Opal diffuser
	Connection of the luminaires	ON/OFF DALI
	Ra	80
Luminaires come complete with all necessary accessories.		

Lina45-T



Assembly



Energy class


energy_class_g

Light distribution



Marks

Notes

Colour of the luminaires 

Colour Temperature 3000 K warm white
4000 K cool white

Optic system Plastic louvre low UGR

Connection of the luminaires ON/OFF
DALI

Ra 80

Luminaires come complete with all necessary accessories.

Accessories



Type of installation	3 circuit track
Light distribution	Direct
Colour of the luminaires	Black, Silver, White
Colour Temperature	3000 K warm white, 4000 K cool white
Material	Aluminium
Light source	LED MODUL
MacAdam Light source	2
Connection of the luminaires	ON/OFF DALI
Lifetime	L80/B20 50 000 hours
Warranty	60 months

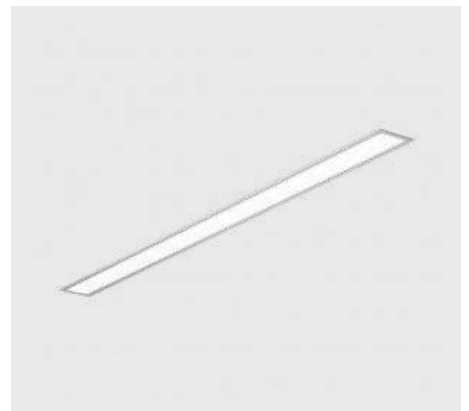
Family

Lina60

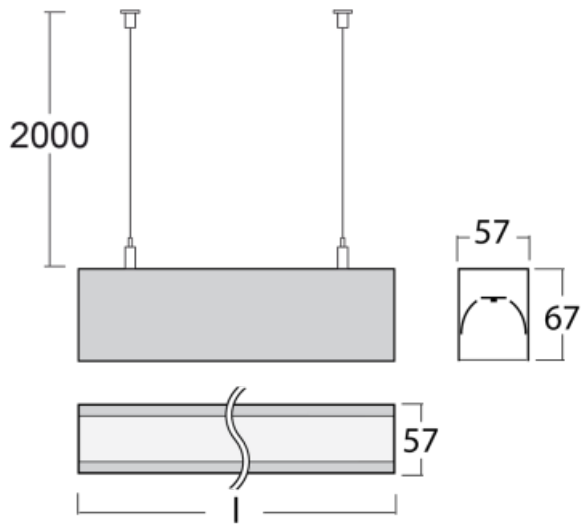


You will appreciate the L-Click system on the Lina60 with direct light distribution, which effectively saves you both time and money. How? The module simply clicks into the profile, so a lot of work is saved during assembly. This solution also prevents the direct touch of the LED technology and lengthens its operating life. In addition to great power output, the luminaire also has a great price. It will find its use in commercial, social and public spaces.

Luminaire family variants Lina60



Lina60



Assembly



Energy class

energy_class_g

Light distribution



Marks

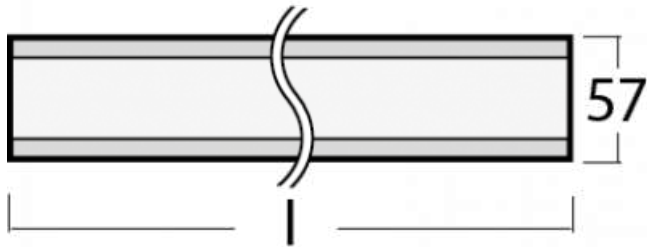
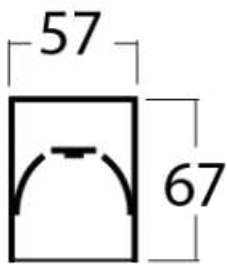
Code	Dimensions l/w/h (mm)	Power of the luminaire (W)	Luminous flux (lm)	Colour Temperature (K)	UGR
04-500K-10GEE/840, W	566 × 57 × 67	7.4	1060	4000	< 25
04-500K-10GGE/840, W	566 × 57 × 67	12.4	1630	4000	< 26.5
04-500K-15GEE/840, W	847 × 57 × 67	11.1	1600	4000	< 25.1
04-500K-15GGE/840, W	847 × 57 × 67	18.6	2450	4000	< 26.5
04-500K-20GEE/840, W	1127 × 57 × 67	16.6	2130	4000	< 25.1
04-500K-20GGE/840, W	1127 × 57 × 67	26	3270	4000	< 26.6
04-500K-25GEE/840, W	1408 × 57 × 67	18.5	2670	4000	< 24.4
04-500K-25GGE/840, W	1408 × 57 × 67	31	4090	4000	< 26.6
04-500K-30GEE/840, W	1688 × 57 × 67	22.2	3200	4000	< 25.1
04-500K-30GGE/840, W	1688 × 57 × 67	37.2	4910	4000	< 26.6
04-500K-35GEE/840, W	1969 × 57 × 67	25.9	3740	4000	< 25.1
04-500K-35GGE/840, W	1969 × 57 × 67	43.4	5720	4000	< 26.5
04-500K-40GEE/840, W	2249 × 57 × 67	29.6	4270	4000	< 25.1
04-500K-40GGE/840, W	2249 × 57 × 67	49.6	6540	4000	< 26.6
04-500K-50GEE/840, W	2810 × 57 × 67	37	5340	4000	< 25.1
04-500K-50GGE/840, W	2810 × 57 × 67	62	8180	4000	< 26.6
04-500K-60GEE/840, W	3371 × 57 × 67	44.4	6410	4000	< 25.1
04-500K-60GGE/840, W	3371 × 57 × 67	74.4	9820	4000	< 26.6
04-500K-80GEE/840, W	4493 × 57 × 67	59.2	8850	4000	< 25.2
04-500K-80GGE/840, W	4493 × 57 × 67	99.2	13090	4000	< 26.6

AnThese codes represent white luminaires with chromaticity temperature 4000K and opal diffuser.

Notes	Colour of the luminaires	● ● ●
	Colour Temperature	3000 K warm white 4000 K cool white
	Optic system	Microprisma Opal diffuser
	Connection of the luminaires	ON/OFF DALI ON/OFF + 1h emergency Other type of dimming ON/OFF + 3h emergency
	Ra	80

The luminaires come with fittings, 2m long suspension, cable and a ceiling cup.

Lina60



Assembly



Energy class

energy_class_g

Light distribution



Marks

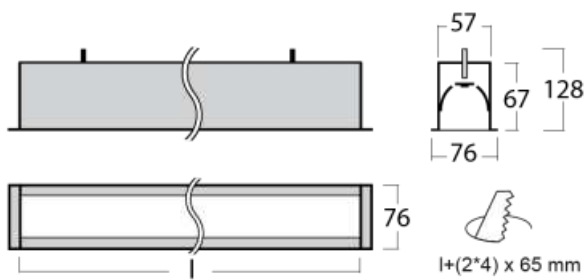
Code	Dimensions l/w/h (mm)	Power of the luminaire (W)	Luminous flux (lm)	Colour Temperature (K)	UGR
04-200K-10GEE/840, W	566 × 57 × 67	7.4	1060	4000	< 25
04-200K-10GGE/840, W	566 × 57 × 67	12.4	1630	4000	< 26.5
04-200K-15GEE/840, W	847 × 57 × 67	11.1	1600	4000	< 25.1
04-200K-15GGE/840, W	847 × 57 × 67	18.6	2450	4000	< 26.5
04-200K-20GEE/840, W	1127 × 57 × 67	16.6	2130	4000	< 25.1
04-200K-20GGE/840, W	1127 × 57 × 67	24.8	3270	4000	< 26.6
04-200K-25GEE/840, W	1408 × 57 × 67	18.5	2670	4000	< 24.4
04-200K-25GGE/840, W	1408 × 57 × 67	31	4090	4000	< 26.6
04-200K-30GEE/840, W	1688 × 57 × 67	22.2	3200	4000	< 25.1
04-200K-30GGE/840, W	1688 × 57 × 67	37.2	4910	4000	< 26.6
04-200K-35GEE/840, W	1969 × 57 × 67	25.9	3740	4000	< 25.1
04-200K-35GGE/840, W	1969 × 57 × 67	43.4	5720	4000	< 26.5
04-200K-40GEE/840, W	2249 × 57 × 67	29.6	4270	4000	< 25.1
04-200K-40GGE/840, W	2249 × 57 × 67	49.6	6540	4000	< 26.6
04-200K-50GEE/840, W	2810 × 57 × 67	37	5340	4000	< 25.1
04-200K-50GGE/840, W	2810 × 57 × 67	62	8180	4000	< 26.6
04-200K-60GEE/840, W	3371 × 57 × 67	44.4	6410	4000	< 25.1
04-200K-60GGE/840, W	3371 × 57 × 67	74.4	9820	4000	< 26.6
04-200K-80GEE/840, W	4493 × 57 × 67	59.2	8850	4000	< 25.2
04-200K-80GGE/840, W	4493 × 57 × 67	99.2	13090	4000	< 26.6

AnThese codes represent white luminaires with chromaticity temperature 4000K and opal diffuser.

Notes	Colour of the luminaires	● ● ●
	Colour Temperature	3000 K warm white 4000 K cool white
	Optic system	Microprisma Opal diffuser
	Connection of the luminaires	ON/OFF DALI ON/OFF + 1h emergency Other type of dimming ON/OFF + 3h emergency
	Ra	80

Luminaires come complete with all necessary accessories.

Lina60



Assembly



Energy class

energy_class_g

Light distribution



Marks

Code	Dimensions l/w/h (mm)	Power of the luminaire (W)	Luminous flux (lm)	Colour Temperature (K)	UGR
04-000K-10GEE/840, W	581 × 76 × 67	7.4	1060	4000	< 25
04-000K-10GGE/840, W	581 × 76 × 67	12.4	1630	4000	< 26.5
04-000K-15GEE/840, W	862 × 76 × 67	11.1	1600	4000	< 25.1
04-000K-15GGE/840, W	862 × 76 × 67	18.6	2450	4000	< 26.5
04-000K-20GEE/840, W	1142 × 76 × 67	16.6	2130	4000	< 25.1
04-000K-20GGE/840, W	1142 × 76 × 67	24.8	3270	4000	< 26.6
04-000K-25GEE/840, W	1423 × 76 × 67	18.5	2670	4000	< 24.4
04-000K-25GGE/840, W	1423 × 76 × 67	31	4090	4000	< 26.6
04-000K-30GEE/840, W	1703 × 76 × 67	22.2	3200	4000	< 25.1
04-000K-30GGE/840, W	1703 × 76 × 67	37.2	4910	4000	< 26.6
04-000K-35GEE/840, W	1984 × 76 × 67	25.9	3740	4000	< 25.1
04-000K-35GGE/840, W	1984 × 76 × 67	43.4	5720	4000	< 26.5
04-000K-40GEE/840, W	2264 × 76 × 67	29.6	4270	4000	< 25.1
04-000K-40GGE/840, W	2264 × 76 × 67	49.6	6540	4000	< 26.6
04-000K-50GEE/840, W	2825 × 76 × 67	37	5340	4000	< 25.1
04-000K-50GGE/840, W	2825 × 76 × 67	62	8180	4000	< 26.6
04-000K-60GEE/840, W	3386 × 76 × 67	44.4	6410	4000	< 25.1
04-000K-60GGE/840, W	3386 × 76 × 67	74.4	9820	4000	< 26.6
04-000K-80GEE/840, W	4508 × 76 × 67	59.2	8850	4000	< 25.2
04-000K-80GGE/840, W	4508 × 76 × 67	99.2	13090	4000	< 26.6

AnThese codes represent white luminaires with chromaticity temperature 4000K and opal diffuser.

Notes	Colour of the luminaires	● ● ●
	Colour Temperature	3000 K warm white 4000 K cool white
	Optic system	Microprisma Opal diffuser
	Connection of the luminaires	ON/OFF DALI ON/OFF + 1h emergency Other type of dimming ON/OFF + 3h emergency
	Ra	80

Luminaires come complete with all necessary accessories.

Accessories



Type of installation	Recessed
Light distribution	Direct
Colour of the luminaires	Black, Silver, White
Colour Temperature	3000 K warm white, 4000 K cool white
Material	Aluminium
Light source	LED MODUL
MacAdam Light source	2
Connection of the luminaires	ON/OFF DALI ON/OFF + 1h emergency Other type of dimming ON/OFF + 3h emergency
Lifetime	L90/B50 50 000 hours
Warranty	60 months

Family

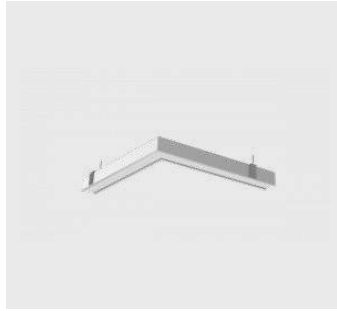
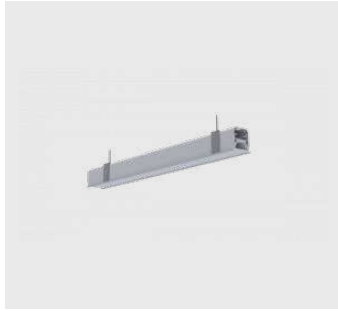
Lina60-S



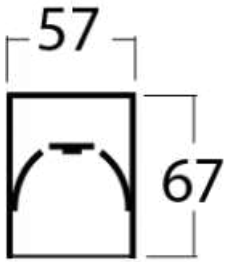
You will appreciate the L-Click system on the Lina60-S luminaire with a direct light distribution, which effectively saves you both time and money. How? The module simply clicks into the profile, so a lot of work is saved during assembly. This solution also prevents the direct touch of the LED technology and lengthens its operating life. The Lina60-S lighting system can be assembled creating endless lines and a big variety of shapes. In addition to great power output, the luminaire also has a great price. It will find its use in commercial, social and public spaces.

Luminaire family variants Lina60-S





Lina60-S



Assembly



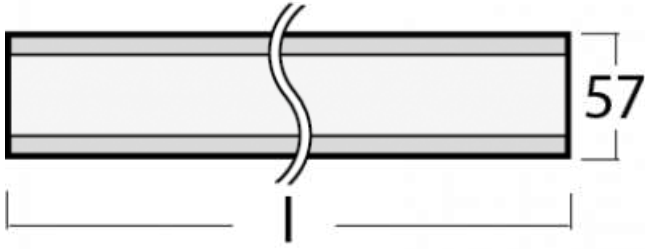
Light distribution



Energy class

energy_class_g

Marks



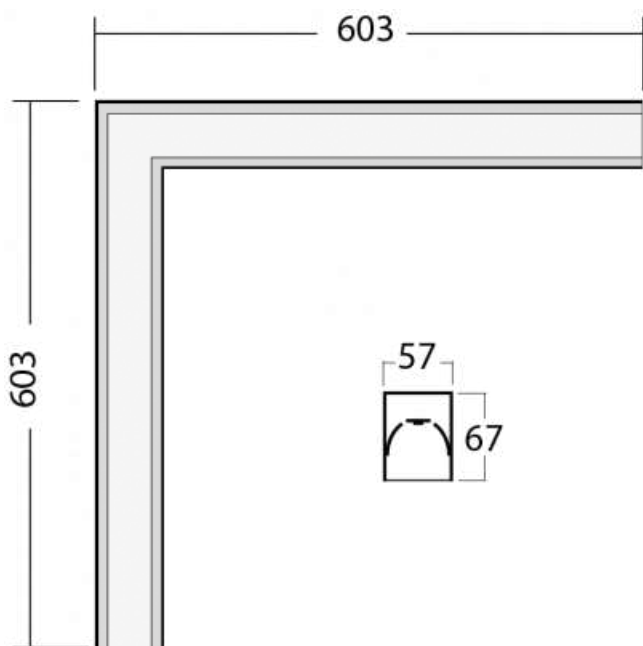
Code	Dimensions l/w/h (mm)	Power of the luminaire (W)	Luminous flux (lm)	Colour Temperature (K)	UGR
04S-200K-10GEE/840, W	561 × 57 × 67	7.4	1060	4000	< 25
04S-200K-10GGE/840, W	561 × 57 × 67	12.4	1630	4000	< 26.5
04S-200K-15GEE/840, W	842 × 57 × 67	11.1	1600	4000	< 25.1
04S-200K-15GGE/840, W	842 × 57 × 67	18.6	2450	4000	< 26.5
04S-200K-20GEE/840, W	1122 × 57 × 67	16.6	2130	4000	< 25.1
04S-200K-20GGE/840, W	1122 × 57 × 67	24.8	3270	4000	< 26.6
04S-200K-25GEE/840, W	1403 × 57 × 67	18.5	2670	4000	< 24.4
04S-200K-25GGE/840, W	1403 × 57 × 67	31	4090	4000	< 26.6
04S-200K-30GEE/840, W	1683 × 57 × 67	22.2	3200	4000	< 25.1
04S-200K-30GGE/840, W	1683 × 57 × 67	37.2	4910	4000	< 26.6
04S-200K-35GEE/840, W	1964 × 57 × 67	25.9	3740	4000	< 25.1
04S-200K-35GGE/840, W	1964 × 57 × 67	43.4	5720	4000	< 26.5
04S-200K-40GEE/840, W	2244 × 57 × 67	29.6	4270	4000	< 25.1
04S-200K-40GGE/840, W	2244 × 57 × 67	49.6	6540	4000	< 26.6
04S-200K-50GEE/840, W	2805 × 57 × 67	37	5340	4000	< 25.1
04S-200K-50GGE/840, W	2805 × 57 × 67	62	8180	4000	< 26.6
04S-200K-60GEE/840, W	3366 × 57 × 67	44.4	6410	4000	< 25.1
04S-200K-60GGE/840, W	3366 × 57 × 67	74.4	9820	4000	< 26.6
04S-200K-80GEE/840, W	4488 × 57 × 67	59.2	8850	4000	< 25.2
04S-200K-80GGE/840, W	4488 × 57 × 67	99.2	13090	4000	< 26.6

AnThese codes represent white luminaires with chromaticity temperature 4000K and opal diffuser.

Notes	Colour of the luminaires	● ● ●
	Colour Temperature	3000 K warm white 4000 K cool white
	Optic system	Microprisma Opal diffuser
	Connection of the luminaires	ON/OFF DALI ON/OFF + 1h emergency Other type of dimming ON/OFF + 3h emergency
	Ra	80

End caps, suspensions, supply cables, and ceiling cup for luminaires must be ordered separately. To connect into systems, please order the respective number of couplers.

Lina60-S



Assembly



Light distribution




Energy class

energy_class_g

Marks

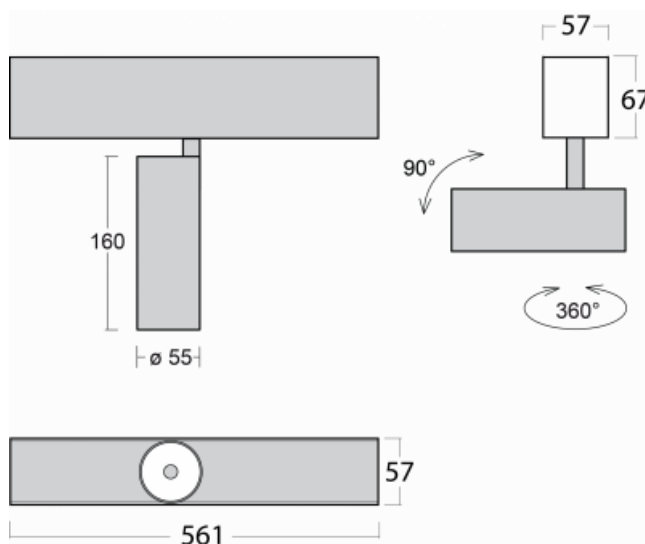
Code	Dimensions l/w/h (mm)	Power of the luminaire (W)	Luminous flux (lm)	Colour Temperature (K)	UGR
04S-220K-20GEE/840, W	603 × 603 × 67	16.6	2130	4000	< 24.8
04S-220K-20GGE/840, W	603 × 603 × 67	24.8	3270	4000	< 26.3

AnThese codes represent white luminaires with chromaticity temperature 4000K and opal diffuser.

Notes	Colour of the luminaires	
	Colour Temperature	3000 K warm white 4000 K cool white
	Optic system	Microprisma Opal diffuser
	Connection of the luminaires	ON/OFF DALI Other type of dimming
	Ra	80

End caps, suspensions, supply cables, and ceiling cup for luminaires must be ordered separately. To connect into systems, please order the respective number of couplers.

Lina60-S



Assembly



Energy class

energy_class_g

Light distribution



Marks

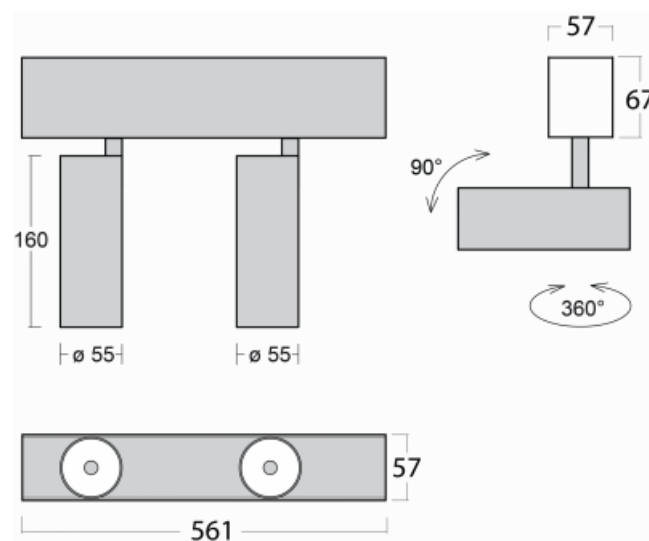
Code	Dimensions l/w/h (mm)	Power of the luminaire (W)	Luminous flux (lm)	Colour Temperature (K)	UGR
04S-200F-10GDE/940, W	561 × 57 × 67	13.6	1250	4000	< 21.7
04S-200F-10GGE/940, W	561 × 57 × 67	20	1750	4000	< 22.8

The indicated codes stand for a white luminaire with colour temperature of 4000K and with a medium-wide beam angle.

Notes	Beam angle	17, 27, 45, 68
	Colour of the luminaires	● ● ●
	Colour Temperature	3000 K warm white 4000 K cool white
	Optic system	Reflector
	Connection of the luminaires	ON/OFF DALI
	Ra	90

End caps, suspensions, supply cables, and ceiling cup for luminaires must be ordered separately. To connect into systems, please order the respective number of couplers.

Lina60-S



Assembly



Energy class

energy_class_g

Light distribution



Marks

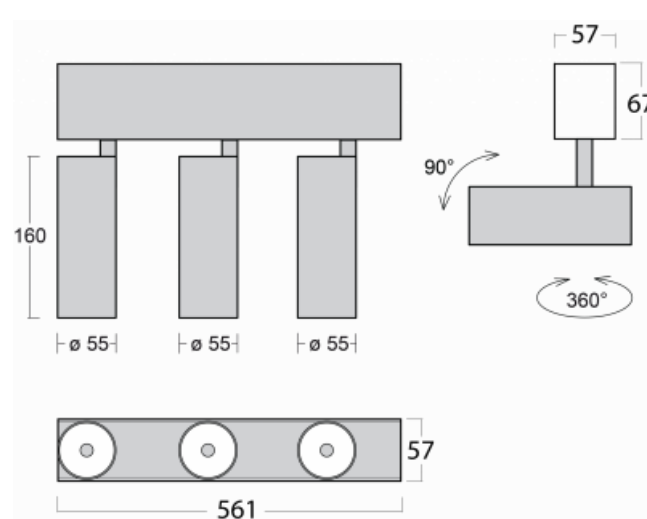
Code	Dimensions l/w/h (mm)	Power of the luminaire (W)	Luminous flux (lm)	Colour Temperature (K)	UGR
04S-200F-20GDE/940, W	561 × 57 × 67	27.2	1250	4000	< 21.7
04S-200F-20GGE/940, W	561 × 57 × 67	40	1750	4000	< 22.8

The indicated codes stand for a white luminaire with colour temperature of 4000K and with a medium-wide beam angle.

Notes	Beam angle	17, 27, 45, 68
	Colour of the luminaires	● ● ●
	Colour Temperature	3000 K warm white 4000 K cool white
	Optic system	Reflector
	Connection of the luminaires	ON/OFF DALI
	Ra	90

End caps, suspensions, supply cables, and ceiling cup for luminaires must be ordered separately. To connect into systems, please order the respective number of couplers.

Lina60-S



Assembly



Energy class

energy_class_g

Light distribution



Marks

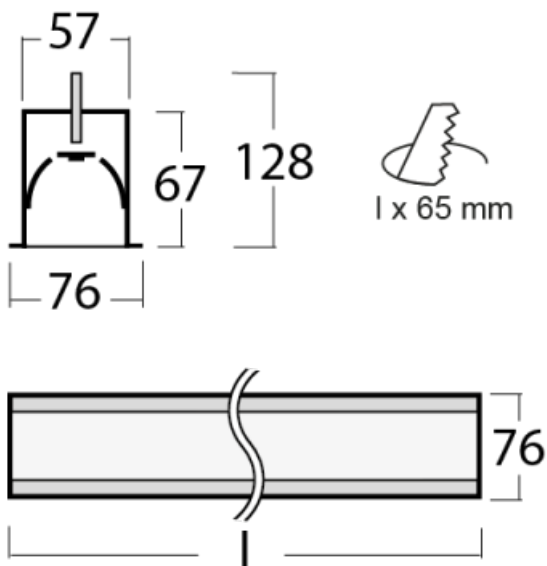
Code	Dimensions l/w/h (mm)	Power of the luminaire (W)	Luminous flux (lm)	Colour Temperature (K)	UGR
04S-200F-30GDE/940, W	561 × 57 × 67	40.8	1250	4000	< 21.7
04S-200F-30GGE/940, W	561 × 57 × 67	60	1750	4000	< 22.8

The indicated codes stand for a white luminaire with colour temperature of 4000K and with a medium-wide beam angle.

Notes	Beam angle	17, 27, 45, 68
	Colour of the luminaires	● ● ●
	Colour Temperature	3000 K warm white 4000 K cool white
	Optic system	Reflector
	Connection of the luminaires	ON/OFF DALI
	Ra	90

End caps, suspensions, supply cables, and ceiling cup for luminaires must be ordered separately. To connect into systems, please order the respective number of couplers.

Lina60-S



Assembly



Energy class

energy_class_g

Light distribution



Marks

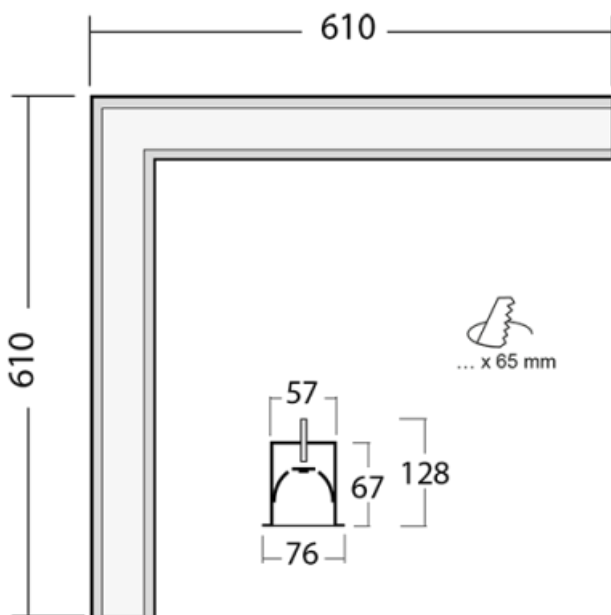
Code	Dimensions l/w/h (mm)	Power of the luminaire (W)	Luminous flux (lm)	Colour Temperature (K)	UGR
04S-000K-10GEE/840, W	561 × 76 × 67	7.4	1060	4000	< 25
04S-000K-10GGE/840, W	561 × 76 × 67	12.4	1630	4000	< 26.5
04S-000K-15GEE/840, W	842 × 76 × 67	11.1	1600	4000	< 25.1
04S-000K-15GGE/840, W	842 × 76 × 67	18.6	2450	4000	< 26.5
04S-000K-20GEE/840, W	1122 × 76 × 67	16.6	2130	4000	< 25.1
04S-000K-20GGE/840, W	1122 × 76 × 67	24.8	3270	4000	< 26.6
04S-000K-25GEE/840, W	1403 × 76 × 67	18.5	2670	4000	< 24.4
04S-000K-25GGE/840, W	1403 × 76 × 67	31	4090	4000	< 26.6
04S-000K-30GEE/840, W	1683 × 76 × 67	22.2	3200	4000	< 25.1
04S-000K-30GGE/840, W	1683 × 76 × 67	37.2	4910	4000	< 26.6
04S-000K-35GEE/840, W	1964 × 76 × 67	25.9	3740	4000	< 25.1
04S-000K-35GGE/840, W	1964 × 76 × 67	43.4	5720	4000	< 26.5
04S-000K-40GEE/840, W	2244 × 76 × 67	29.6	4270	4000	< 25.1
04S-000K-40GGE/840, W	2244 × 76 × 67	49.6	6540	4000	< 26.6
04S-000K-50GEE/840, W	2805 × 76 × 67	37	5340	4000	< 25.1
04S-000K-50GGE/840, W	2805 × 76 × 67	62	8180	4000	< 26.6
04S-000K-60GEE/840, W	3366 × 76 × 67	44.4	6410	4000	< 25.1
04S-000K-60GGE/840, W	3366 × 76 × 67	74.4	9820	4000	< 26.6
04S-000K-80GEE/840, W	4488 × 76 × 67	59.2	8850	4000	< 25.2
04S-000K-80GGE/840, W	4488 × 76 × 67	99.2	13090	4000	< 26.6

AnThese codes represent white luminaires with chromaticity temperature 4000K and opal diffuser.

Notes	Colour of the luminaires	● ● ●
	Colour Temperature	3000 K warm white 4000 K cool white
	Optic system	Microprisma Opal diffuser
	Connection of the luminaires	ON/OFF DALI ON/OFF + 1h emergency Other type of dimming ON/OFF + 3h emergency
	Ra	80

The appropriate quantity of terminals must be ordered for the luminaires. Order the appropriate quantity of connectors for connecting in the series.

Lina60-S



Assembly



Light distribution



Energy class

energy_class_g

Marks

Code	Dimensions l/w/h (mm)	Power of the luminaire (W)	Luminous flux (lm)	Colour Temperature (K)	UGR
04S-020K-20GEE/840, W	610 × 610 × 67	16.6	2130	4000	< 24.8
04S-020K-20GGE/840, W	610 × 610 × 67	24.8	3270	4000	< 26.3

AnThese codes represent white luminaires with chromaticity temperature 4000K and opal diffuser.

Notes	Colour of the luminaires	● ● ●
	Colour Temperature	3000 K warm white 4000 K cool white
	Optic system	Microprisma Opal diffuser
	Connection of the luminaires	ON/OFF DALI Other type of dimming
	Ra	80

The appropriate quantity of terminals must be ordered for the luminaires. Order the appropriate quantity of connectors for connecting in the series.

Accessories


Code	Description
00-00300, N	wire suspension 2000mm
00-00301, N	wire suspension 4000mm
00-00302, N	wire suspension 6000mm



Code	Description
00-00350, K	cable 3x0,75 1000mm
00-00352, K	cable 3x0,75 2000mm
00-00354, K	cable 5x0,75 1000mm
00-00355, K	cable 5x0,75 2000mm
00-00356, K	cable 5x0,75 4000mm
00-00357, K	cable 5x0,75 6000mm
00-00358, K	cable 3x0,75 4000mm
00-00360, K	cable 3x0,75 6000mm



Code	Description
00-00370, W	ceiling cup 80x80x32mm

Notes

 Accessories colour


Code	Description
00-00500	wire for emergency lighting XX-XXXX-20
00-00501	wire for emergency lighting XX-XXXX-40



Code	Description
00-00600, F	ceiling fastening for luminaires 132-5xxK, 04-2000x, 05-2000x, 09-200x - 1 piece



Code	Description
00-20700, W	2 pcs of wall fastening Lipo/Lina

Notes Accessories colour



Code	Description
04-00100, W	2xend cap - metal, 3-conductor terminal box, grommet

Notes Accessories colour



Code	Description
04-00101, W	2xend cap - metal, 5-conductor terminal box, grommet

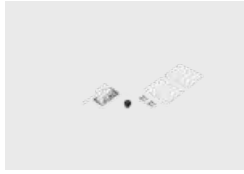
Notes Accessories colour



Code	Description
04-00200, N	straight connector

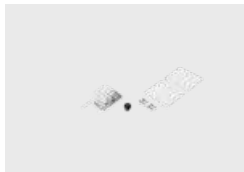


Code	Description
04-01200, F	Accessory for gear-tray release



Code	Description
04-20100, W	2xend cap - metal, 3-conductor terminal box, grommet

Notes Accessories colour



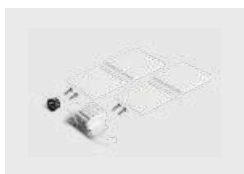
Code	Description
04-20101, W	2xend cap - metal, 5-conductor terminal box, grommet

Notes Accessories colour



Code	Description
04-20102, W	2xend cap - plastic, 3-conductor terminal box, grommet

Notes Accessories colour



Code	Description
04-20103, W	2xend cap - plastic, 5-conductor terminal box, grommet

Notes Accessories colour



Code	Description
04-20900, F	bracket for installation of suspended type of profile as recessed trimless



Family

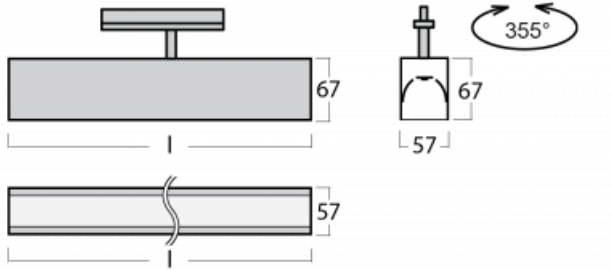
Lina60-T

The Lina60-T luminaires are based on the concept of Lina60 luminaires. In this case, however, the luminaires are installed in three-circuit tracks. These luminaires are suitable for supplementing accent lighting provided by other luminaires from our product range, for example Vali80-T. With its diffused light, Lina60-T helps to balance the lighting in the room by illuminating the communication zones, especially in the sales areas. The luminaires feature a support adapter in which the luminaire can be rotated along the Z axis thus modifying the arrangement of the system and also partially direct the light in a given space.

Type of installation	Recessed
Light distribution	Direct
Colour of the luminaires	Black, Silver, White
Colour Temperature	3000 K warm white, 4000 K cool white
Material	Aluminium
Light source	LED MODUL
Connection of the luminaires	ON/OFF DALI Other type of dimming
Lifetime	L90/B50 0 hours

Luminaire family variants Lina60-T



Lina60-T

Assembly

Light distribution

Energy class

energy_class_g

Marks

Notes	Colour of the luminaires	● ● ●
	Colour Temperature	3000 K warm white 4000 K cool white
	Optic system	Microprisma Opal diffuser
	Connection of the luminaires	ON/OFF DALI

Luminaires come complete with all necessary accessories.

Accessories



Type of installation	3 circuit track
Light distribution	Direct
Colour of the luminaires	Black, Silver, White
Colour Temperature	3000 K warm white, 4000 K cool white
Material	Aluminium
Light source	LED MODUL
MacAdam Light source	2
Connection of the luminaires	ON/OFF DALI
Lifetime	L90/B50 50 000 hours
Warranty	60 months

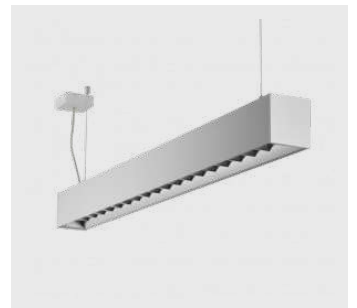
Family

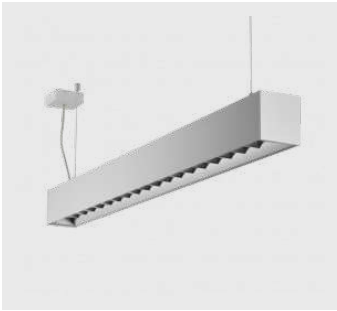
Lina80



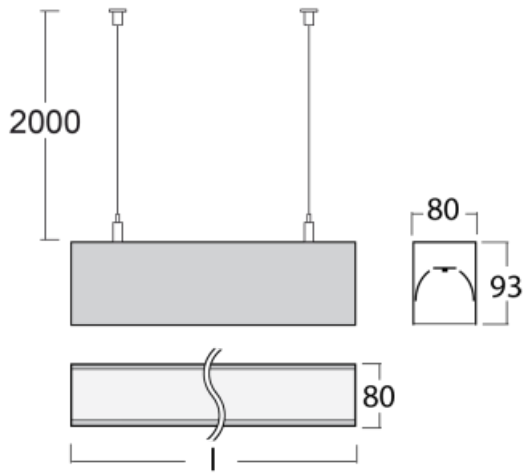
Lina80 luminaires with an easy L-Click system feature an elegant and classic linear design with excellent illumination characteristics with both ceiling mounted and suspended versions, allowing them to fit into almost any space. Lina80 lighting is the right solution for offices, business, social and cultural spaces, as well as households and restaurants. With Tunable White, you set the white color temperature according to the time of day. The light thus provides optimal light helping you to focus on and concentrate on the work.

Luminaire family variants Lina80





Lina80



Assembly

Light distribution

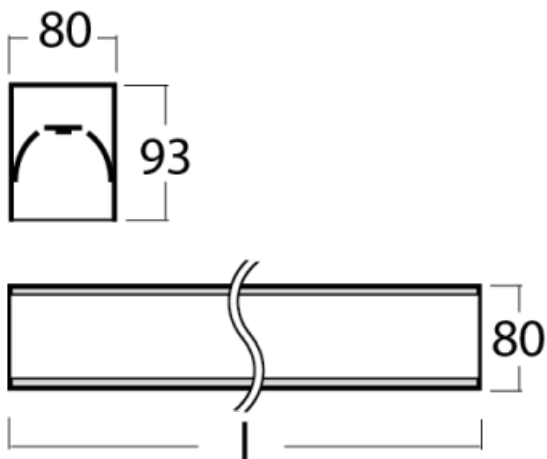
Energy class

Marks

Notes

The luminaires come with fittings, 2m long suspension, cable and a ceiling cup.

Lina80



Assembly

Light distribution

Energy class


Marks

energy_class_g

Code	Dimensions l/w/h (mm)	Power of the luminaire (W)	Luminous flux (lm)	Colour Temperature (K)	UGR
05-200K-10GEE/840, W	566 × 80 × 93	7.4	1060	4000	< 23.5
05-200K-10GGE/840, W	566 × 80 × 93	12.4	1630	4000	< 25
05-200K-10GHE/840, W	566 × 80 × 93	21.9	2670	4000	< 26.7
05-200K-15GEE/840, W	847 × 80 × 93	11.1	1600	4000	< 23.5
05-200K-15GGE/840, W	847 × 80 × 93	18.6	2450	4000	< 25
05-200K-15GHE/840, W	847 × 80 × 93	32.9	4010	4000	< 26.7
05-200K-20GEE/840, W	1127 × 80 × 93	15.8	2130	4000	< 23.5
05-200K-20GGE/840, W	1127 × 80 × 93	24.8	3270	4000	< 25
05-200K-20GHE/840, W	1127 × 80 × 93	43.8	5350	4000	< 26.7
05-200K-25GEE/840, W	1408 × 80 × 93	18.5	2670	4000	< 23.6
05-200K-25GGE/840, W	1408 × 80 × 93	31	4090	4000	< 25
05-200K-25GHE/840, W	1408 × 80 × 93	54.8	6690	4000	< 26.7
05-200K-30GEE/840, W	1683 × 80 × 93	22.2	3200	4000	< 23.5
05-200K-30GGE/840, W	1683 × 80 × 93	37.2	4910	4000	< 25
05-200K-30GHE/840, W	1683 × 80 × 93	65.7	8030	4000	< 26.7
05-200K-35GEE/840, W	1964 × 80 × 93	25.9	3740	4000	< 23.6
05-200K-35GGE/840, W	1964 × 80 × 93	43.4	5720	4000	< 25
05-200K-35GHE/840, W	1964 × 80 × 93	76.7	9370	4000	< 26.7
05-200K-40GEE/840, W	2244 × 80 × 93	29.6	4270	4000	< 23.6
05-200K-40GGE/840, W	2244 × 80 × 93	49.6	6540	4000	< 25
05-200K-40GHE/840, W	2244 × 80 × 93	87.6	10710	4000	< 26.7
05-200K-50GEE/840, W	2810 × 80 × 93	37	5340	4000	< 23.6
05-200K-50GGE/840, W	2810 × 80 × 93	62	8180	4000	< 25
05-200K-50GHE/840, W	2810 × 80 × 93	109.5	13390	4000	< 26.7
05-200K-60GEE/840, W	3366 × 80 × 93	44.4	6410	4000	< 23.6
05-200K-60GGE/840, W	3366 × 80 × 93	74.4	9820	4000	< 25
05-200K-60GHE/840, W	3366 × 80 × 93	131.4	16060	4000	< 26.7
05-200K-80GEE/840, W	4493 × 80 × 93	59.2	8850	4000	< 23.7
05-200K-80GGE/840, W	4493 × 80 × 93	99.2	13090	4000	< 25

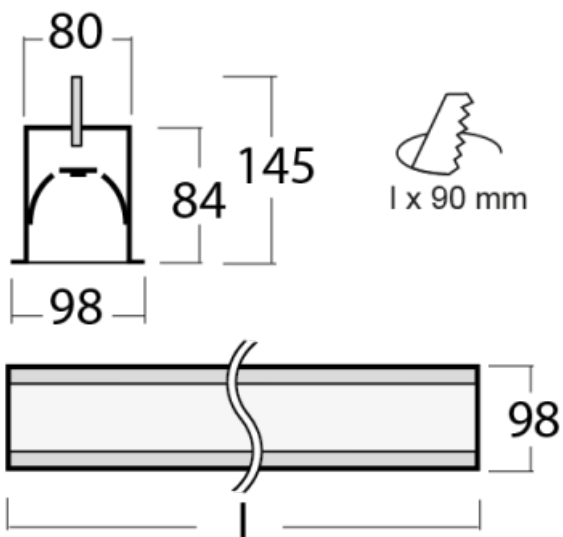
05-200K-80GHE/840, W	4493 × 80 × 93	175.2	21420	4000	< 26.7
----------------------	----------------	-------	-------	------	--------

AnThese codes represent white luminaires with chromaticity temperature 4000K and opal diffuser.

Notes	Colour of the luminaires	
	Colour Temperature	3000 K warm white 4000 K cool white
	Optic system	Microprisma Opal diffuser
	Connection of the luminaires	ON/OFF DALI ON/OFF + 1h emergency Other type of dimming ON/OFF + 3h emergency
	Ra	80

Luminaires come complete with all necessary accessories.

Lina80



Assembly



Energy class

energy_class_g

Light distribution



Marks

Code	Dimensions l/w/h (mm)	Power of the luminaire (W)	Luminous flux (lm)	Colour Temperature (K)	UGR
05-000K-10GEE/840, W	581 × 98 × 84	7.4	1060	4000	< 23.5
05-000K-10GGE/840, W	581 × 98 × 84	12.4	1630	4000	< 25
05-000K-10GHE/840, W	581 × 98 × 84	21.9	2670	4000	< 26.7
05-000K-15GEE/840, W	862 × 98 × 84	11.1	1600	4000	< 23.5
05-000K-15GGE/840, W	862 × 98 × 84	18.6	2450	4000	< 25
05-000K-15GHE/840, W	862 × 98 × 84	32.9	4010	4000	< 26.7
05-000K-20GEE/840, W	1142 × 98 × 84	14.8	2130	4000	< 23.5
05-000K-20GGE/840, W	1142 × 98 × 84	24.8	3270	4000	< 25
05-000K-20GHE/840, W	1142 × 98 × 84	43.8	5350	4000	< 26.7
05-000K-25GEE/840, W	1423 × 98 × 84	18.5	2670	4000	< 23.6
05-000K-25GGE/840, W	1423 × 98 × 84	31	4090	4000	< 25
05-000K-25GHE/840, W	1423 × 98 × 84	54.8	6690	4000	< 26.7
05-000K-30GEE/840, W	1703 × 98 × 84	22.2	3200	4000	< 23.5
05-000K-30GGE/840, W	1703 × 98 × 84	37.2	4910	4000	< 25
05-000K-30GHE/840, W	1703 × 98 × 84	65.7	8030	4000	< 26.7
05-000K-35GEE/840, W	1984 × 98 × 84	25.9	3740	4000	< 23.6
05-000K-35GGE/840, W	1984 × 98 × 84	43.4	5720	4000	< 25
05-000K-35GHE/840, W	1984 × 98 × 84	76.7	9370	4000	< 26.7
05-000K-40GEE/840, W	2264 × 98 × 84	29.6	4270	4000	< 23.6
05-000K-40GGE/840, W	2264 × 98 × 84	49.6	6540	4000	< 25
05-000K-40GHE/840, W	2264 × 98 × 84	87.6	10710	4000	< 26.7
05-000K-50GEE/840, W	2825 × 98 × 84	37	5340	4000	< 23.6
05-000K-50GGE/840, W	2825 × 98 × 84	62	8180	4000	< 25
05-000K-50GHE/840, W	2825 × 98 × 84	109.5	13390	4000	< 26.7
05-000K-60GEE/840, W	3386 × 98 × 84	44.4	6410	4000	< 23.6
05-000K-60GGE/840, W	3386 × 98 × 84	74.4	9820	4000	< 25
05-000K-60GHE/840, W	3386 × 98 × 84	131.4	16060	4000	< 26.7
05-000K-80GEE/840, W	4508 × 98 × 84	59.2	8850	4000	< 23.7
05-000K-80GGE/840, W	4508 × 98 × 84	99.2	13090	4000	< 25

05-000K-80GHE/840, W	4508 × 98 × 84	175.2	21420	4000	< 26.7
----------------------	----------------	-------	-------	------	--------

AnThese codes represent white luminaires with chromaticity temperature 4000K and opal diffuser.

Notes	Colour of the luminaires	● ● ●
	Colour Temperature	3000 K warm white 4000 K cool white
	Optic system	Microprisma Opal diffuser
	Connection of the luminaires	ON/OFF DALI ON/OFF + 1h emergency Other type of dimming ON/OFF + 3h emergency
	Ra	80

Luminaires come complete with all necessary accessories.

Lina80

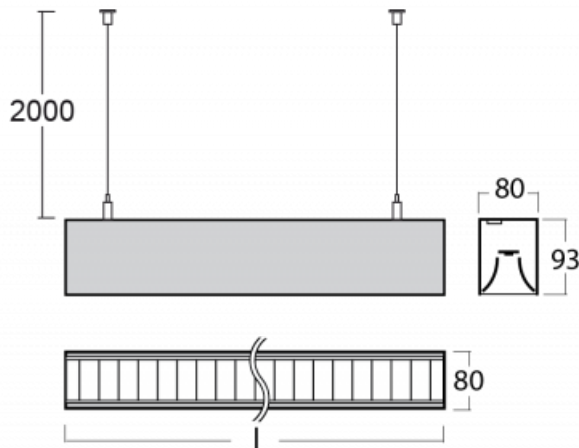
Assembly

Light distribution

Energy class

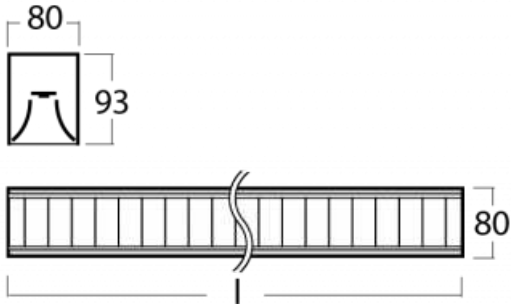
Marks

energy_class_g



Notes The luminaires come with fittings, 2m long suspension, cable and a ceiling cup.

Lina80



Assembly



Light distribution



Energy class

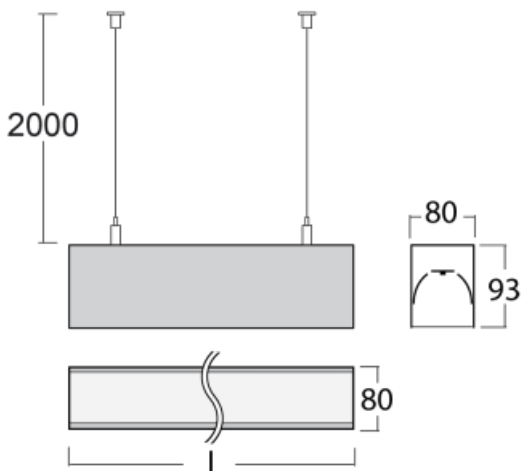
energy_class_g

Marks

Notes	Colour of the luminaires	● ● ●
	Colour Temperature	3000 K warm white 4000 K cool white
	Optic system	Matt parabolic louvre
	Connection of the luminaires	ON/OFF DALI
	Ra	80

Luminaires come complete with all necessary accessories.

Lina80



Assembly

Energy class

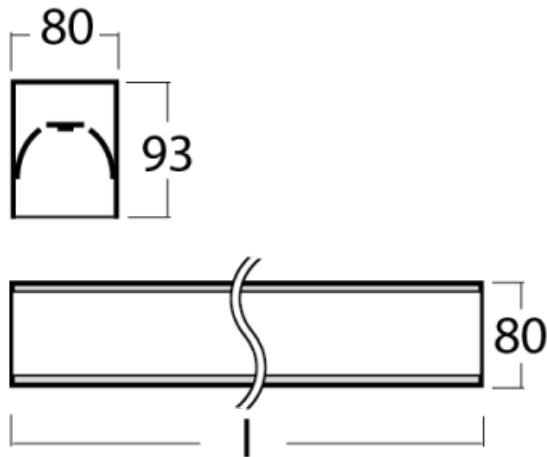
energy_class_g

Light distribution

Marks

Notes The luminaires come with fittings, 2m long suspension, cable and a ceiling cup.

Lina80



Assembly



Light distribution



Energy class

energy_class_g

Marks

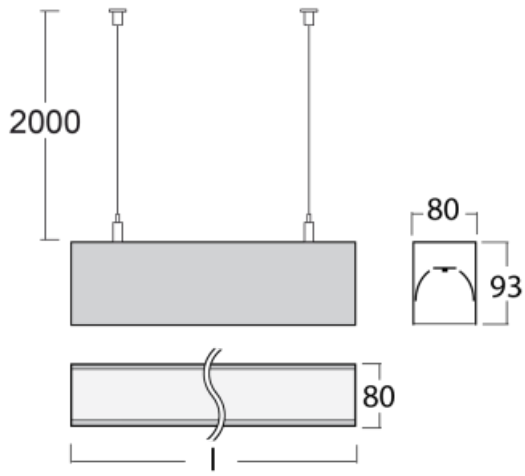
Code	Dimensions l/w/h (mm)	Power of the luminaire (W)	Luminous flux (lm)	Colour Temperature (K)	UGR
05-200B-20GHE/840, W	1127 × 80 × 93	27.3	3370	4000	< 18.8
05-200B-25GHE/840, W	1408 × 80 × 93	34.2	4210	4000	< 18.8

These codes represent white luminaires with chromaticity temperature 4000K and micro-prismatic optical system.

Notes	Colour of the luminaires	● ● ●
	Colour Temperature	3000 K warm white 4000 K cool white
	Optic system	Microprisma low UGR
	Connection of the luminaires	ON/OFF DALI
	Ra	80

Luminaires come complete with all necessary accessories.

Lina80



Assembly



Light distribution



Energy class

energy_class_g

Marks

Code	Dimensions l/w/h (mm)	Power of the luminaire (W)	Luminous flux (lm)	Colour Temperature (K)	UGR
05-500K-10GEE/840, W	561 × 80 × 93	7.4	1060	4000	< 23.5
05-500K-10GGE/840, W	561 × 80 × 93	12.4	1630	4000	< 25
05-500K-10GHE/840, W	561 × 80 × 93	21.9	2670	4000	< 26.7
05-500K-15GEE/840, W	842 × 80 × 93	11.1	1600	4000	< 23.5
05-500K-15GGE/840, W	842 × 80 × 93	18.6	2450	4000	< 25
05-500K-15GHE/840, W	842 × 80 × 93	32.9	4010	4000	< 26.7
11-501K-15GEE/840, W	847 × 80 × 93	14.6	2040	4000	< 19.8
11-501K-15GGE/840, W	847 × 80 × 93	24	3150	4000	< 21.3
11-501K-15GHE/840, W	847 × 80 × 93	33.6	4160	4000	< 22.3
05-500K-20GEE/840, W	1127 × 80 × 93	15.8	2130	4000	< 23.5
11-501K-20GEE/840, W	1127 × 80 × 93	21.9	3050	4000	< 21.2
11-501K-20GEM/840, W	1127 × 80 × 93	21.9	3050	4000	< 21.2
11-501K-20GEM3/840, W	1127 × 80 × 93	21.9	3050	4000	< 21.2
05-500K-20GGE/840, W	1127 × 80 × 93	24.8	3270	4000	< 25
05-500B-20GHE/840, W	1127 × 80 × 93	31.3	3370	4000	< 18.8
11-501K-20GGM/840, W	1127 × 80 × 93	36	4690	4000	< 22.7
11-501K-20GGM3/840, W	1127 × 80 × 93	36	4690	4000	< 22.7
11-501K-20GGE/840, W	1127 × 80 × 93	36	4690	4000	< 22.7
05-500K-20GHE/840, W	1127 × 80 × 93	43.8	5350	4000	< 26.7
11-501K-20GHE/840, W	1127 × 80 × 93	50.4	6200	4000	< 23.7
05-500K-25GEE/840, W	1408 × 80 × 93	18.5	2670	4000	< 23.6
11-501K-25GEM/840, W	1408 × 80 × 93	29.2	4050	4000	< 20.9
11-501K-25GEM3/840, W	1408 × 80 × 93	29.2	4050	4000	< 20.9
11-501K-25GEE/840, W	1408 × 80 × 93	29.2	4050	4000	< 20.9
05-500K-25GGE/840, W	1408 × 80 × 93	31	4090	4000	< 25
05-500B-25GHE/840, W	1408 × 80 × 93	34.2	4210	4000	< 18.8
11-501K-25GGM/840, W	1408 × 80 × 93	48	6240	4000	< 22.4
11-501K-25GGM3/840, W	1408 × 80 × 93	48	6240	4000	< 22.4
11-501K-25GGE/840, W	1408 × 80 × 93	48	6240	4000	< 22.4

05-500K-25GHE/840, W	1408 × 80 × 93	54.8	6690	4000	< 26.7
11-501K-25GHE/840, W	1408 × 80 × 93	67.2	8240	4000	< 23.3
05-500K-30GEE/840, W	1688 × 80 × 93	22.2	3200	4000	< 23.5
11-501K-30GEM/840, W	1688 × 80 × 93	36.5	5050	4000	< 20.7
11-501K-30GEM3/840, W	1688 × 80 × 93	36.5	5050	4000	< 20.7
11-501K-30GEE/840, W	1688 × 80 × 93	36.5	5050	4000	< 20.7
05-500K-30GGE/840, W	1688 × 80 × 93	37.2	4910	4000	< 25
11-501K-30GGE/840, W	1688 × 80 × 93	60	7780	4000	< 22.2
11-501K-30GGM/840, W	1688 × 80 × 93	60	7780	4000	< 22.2
11-501K-30GGM3/840, W	1688 × 80 × 93	60	7780	4000	< 22.2
05-500K-30GHE/840, W	1688 × 80 × 93	65.7	8030	4000	< 26.7
11-501K-30GHE/840, W	1688 × 80 × 93	84	10280	4000	< 23.1
05-500K-35GEE/840, W	1969 × 80 × 93	25.9	3740	4000	< 23.6
05-500K-35GGE/840, W	1969 × 80 × 93	43.4	5720	4000	< 25
11-501K-35GEE/840, W	1969 × 80 × 93	43.8	6060	4000	< 20.5
11-501K-35GEM/840, W	1969 × 80 × 93	43.8	6060	4000	< 20.5
11-501K-35GEM3/840, W	1969 × 80 × 93	43.8	6060	4000	< 20.5
11-501K-35GGE/840, W	1969 × 80 × 93	72	9330	4000	< 22
11-501K-35GGM/840, W	1969 × 80 × 93	72	9330	4000	< 22
11-501K-35GGM3/840, W	1969 × 80 × 93	72	9330	4000	< 22
05-500K-35GHE/840, W	1969 × 80 × 93	76.7	9370	4000	< 26.7
11-501K-35GHE/840, W	1969 × 80 × 93	100.8	12330	4000	< 23
05-500K-40GEE/840, W	2249 × 80 × 93	29.6	4270	4000	< 23.6
05-500K-40GGE/840, W	2249 × 80 × 93	49.6	6540	4000	< 25
11-501K-40GEE/840, W	2249 × 80 × 93	51.1	7060	4000	< 20.4
11-501K-40GEM/840, W	2249 × 80 × 93	51.1	7060	4000	< 20.4
11-501K-40GEM3/840, W	2249 × 80 × 93	51.1	7060	4000	< 20.4
11-501K-40GGE/840, W	2249 × 80 × 93	84	10870	4000	< 21.9
11-501K-40GGM/840, W	2249 × 80 × 93	84	10870	4000	< 21.9
11-501K-40GGM3/840, W	2249 × 80 × 93	84	10870	4000	< 21.9
05-500K-40GHE/840, W	2249 × 80 × 93	87.6	10710	4000	< 26.7

11-501K-40GHE/840, W	2249 × 80 × 93	117.6	14370	4000	< 22.9
05-500K-50GEE/840, W	2810 × 80 × 93	37	5340	4000	< 23.6
05-500K-50GGE/840, W	2810 × 80 × 93	62	8180	4000	< 25
05-500K-50GHE/840, W	2810 × 80 × 93	109.5	13390	4000	< 26.7
05-500K-60GEE/840, W	3371 × 80 × 93	44.4	6410	4000	< 23.6
05-500K-60GGE/840, W	3371 × 80 × 93	74.4	9820	4000	< 25
05-500K-60GHE/840, W	3371 × 80 × 93	131.4	16060	4000	< 26.7
05-500K-80GEE/840, W	4493 × 80 × 93	59.2	8850	4000	< 23.7
05-500K-80GGE/840, W	4493 × 80 × 93	99.2	13090	4000	< 25
05-500K-80GHE/840, W	4493 × 80 × 93	175.2	21420	4000	< 26.7

AnThese codes represent white luminaires with chromaticity temperature 4000K and opal diffuser.

Notes

Colour of the luminaires



Colour Temperature

 3000 K warm white
4000 K cool white

Optic system

 Microprisma
Opal diffuser
Microprisma low UGR

Connection of the luminaires

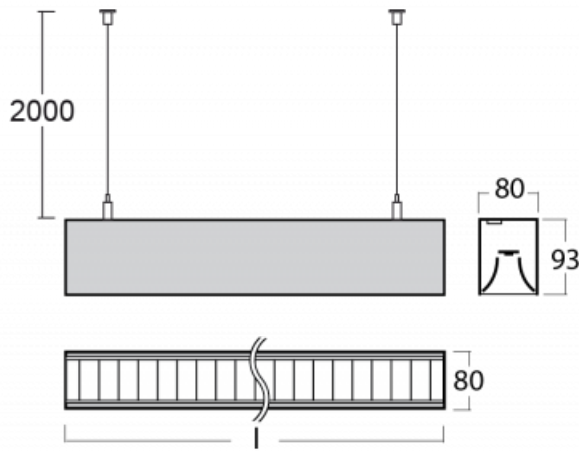
 ON/OFF
DALI
ON/OFF + 1h emergency
Other type of dimming
ON/OFF + 3h emergency

Ra

80

Luminaires come complete with all necessary accessories.

Lina80



Assembly



Light distribution



Energy class

energy_class_g

Marks

Notes

Colour of the luminaires

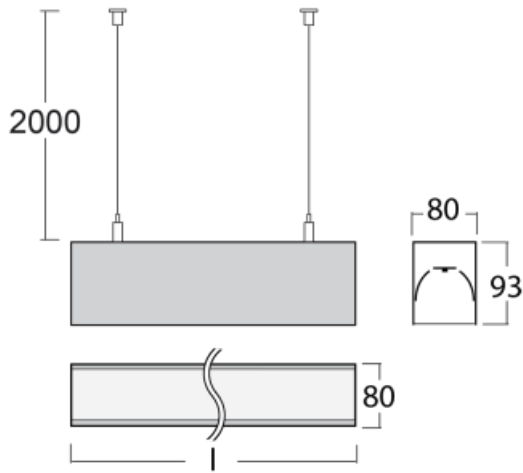
Colour Temperature 3000 K warm white
4000 K cool white

Optic system Matt parabolic louvre

Connection of the luminaires ON/OFF
DALI

Ra 80

The luminaires come with fittings, 2m long suspension, cable and a ceiling cup.

Lina80

Assembly

Light distribution

Energy class

energy_class_g

Marks

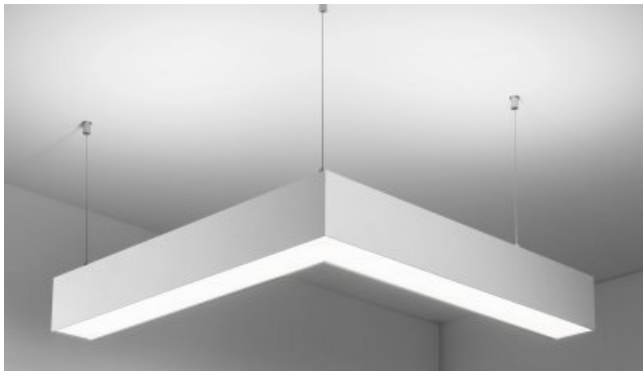
Code	Dimensions l/w/h (mm)	Power of the luminaire (W)	Luminous flux (lm)	Colour Temperature (K)	UGR
11-501B-20GHE/840, W	1127 × 80 × 93	42.2	5220	4000	< 16.2
11-501B-25GHE/840, W	1408 × 80 × 93	56.3	6970	4000	< 15.9

These codes represent white luminaires with chromaticity temperature 4000K and micro-prismatic optical system.

Notes	Colour of the luminaires	● ● ●
	Colour Temperature	3000 K warm white 4000 K cool white
	Optic system	Microprisma low UGR
	Connection of the luminaires	ON/OFF DALI
	Ra	80

The luminaires come with fittings, 2m long suspension, cable and a ceiling cup.

Accessories



Type of installation	Suspended
Light distribution	Direct-indirect
Colour of the luminaires	Black, Silver, White
Colour Temperature	3000 K warm white, 4000 K cool white
Material	Aluminium
Light source	LED MODUL
MacAdam Light source	2
Connection of the luminaires	ON/OFF DALI
Lifetime	L90/B50 50 000 hours
Warranty	60 months

Family

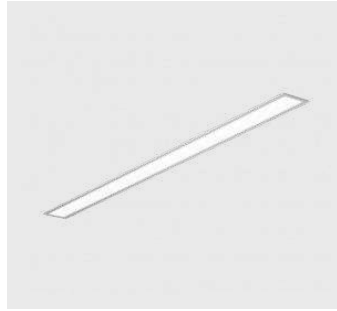
Lina80-S



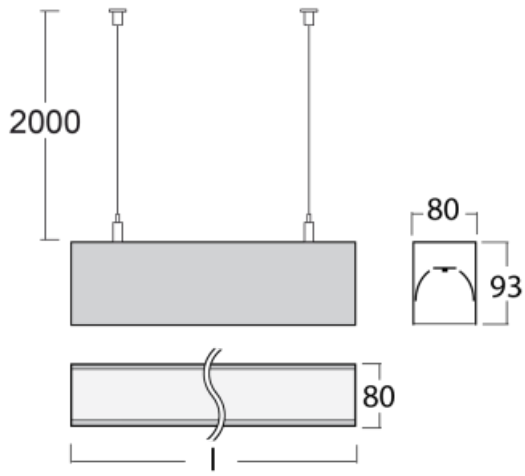
Lina80-S luminaires are available in recessed, surface, suspended or wall mounted versions, including the illuminated corner segments. Lina80-S system luminaire can be used to create different shapes or long lines, with special joints that prevent any light to shine through, creating thus a seamless visual effect, suitable for small offices as well as big halls.

Luminaire family variants Lina80-S





Lina80-S



Assembly



Light distribution



Energy class

energy_class_g

Marks

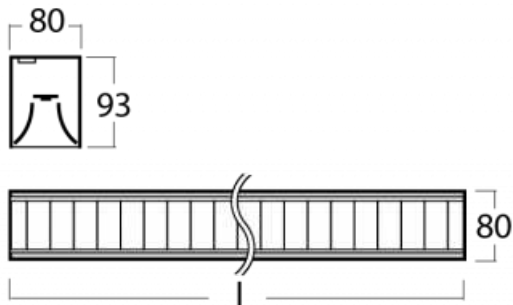
Code	Dimensions l/w/h (mm)	Power of the luminaire (W)	Luminous flux (lm)	Colour Temperature (K)	UGR
11S-501K-10GEE/840, W	561 × 80 × 93	11	1520	4000	< 18.8
11S-501K-10GGE/840, W	561 × 80 × 93	18	2340	4000	< 20.3
11S-501K-10GHE/840, W	561 × 80 × 93	25.2	3100	4000	< 21.2
11S-501K-15GEE/840, W	842 × 80 × 93	14.6	2040	4000	< 19.8
11S-501K-15GGE/840, W	842 × 80 × 93	24	3150	4000	< 21.3
11S-501K-15GHE/840, W	842 × 80 × 93	33.6	4160	4000	< 22.3
11S-501K-20GEE/840, W	1122 × 80 × 93	21.9	3050	4000	< 21.2
11S-501K-20GGE/840, W	1122 × 80 × 93	36	4690	4000	< 22.7
11S-501K-20GHE/840, W	1122 × 80 × 93	50.4	6200	4000	< 23.7
11S-501K-25GEE/840, W	1403 × 80 × 93	29.2	4050	4000	< 20.9
11S-501K-25GGE/840, W	1403 × 80 × 93	48	6240	4000	< 22.4
11S-501K-25GHE/840, W	1403 × 80 × 93	67.2	8240	4000	< 23.3
11S-501K-30GEE/840, W	1683 × 80 × 93	36.5	5050	4000	< 20.7
11S-501K-30GGE/840, W	1683 × 80 × 93	60	7780	4000	< 22.2
11S-501K-30GHE/840, W	1683 × 80 × 93	84	10280	4000	< 23.1
11S-501K-35GEE/840, W	1964 × 80 × 93	43.8	6060	4000	< 20.5
11S-501K-35GGE/840, W	1964 × 80 × 93	72	9330	4000	< 22
11S-501K-35GHE/840, W	1964 × 80 × 93	100.8	12330	4000	< 23
11S-501K-40GEE/840, W	2244 × 80 × 93	51.1	7060	4000	< 20.4
11S-501K-40GGE/840, W	2244 × 80 × 93	84	10870	4000	< 21.9
11S-501K-40GHE/840, W	2244 × 80 × 93	117.6	14370	4000	< 22.9

AnThese codes represent white luminaires with chromaticity temperature 4000K and opal diffuser.

Notes	Colour of the luminaires	● ● ●
	Colour Temperature	3000 K warm white 4000 K cool white
	Optic system	Microprisma Opal diffuser
	Connection of the luminaires	ON/OFF DALI ON/OFF + 1h emergency ON/OFF + 3h emergency
	Ra	80

End caps, cups, supply cable, and wire suspension for luminaires must be ordered separately. For connection into systems, please order the respective number of couplers, disassembly sets, or a supplementary cable for emergency systems.

Lina80-S



Assembly



Light distribution




Energy class

energy_class_g

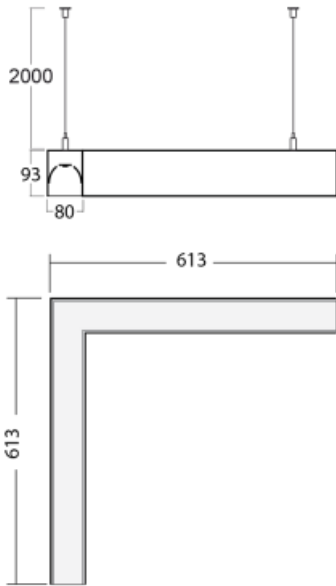
Marks

Code	Dimensions l/w/h (mm)	Power of the luminaire (W)	Luminous flux (lm)	Colour Temperature (K)	UGR
11S-531M-20GEE/840, W	1127 × 80 × 93	33.4	4110	4000	< 16.3
11S-531M-20GGE/840, W	1127 × 80 × 93	47.2	5520	4000	< 17.2
11S-531M-25GEE/840, W	1408 × 80 × 93	44.5	5500	4000	< 16.3
11S-531M-25GGE/840, W	1408 × 80 × 93	62.9	7380	4000	< 17.2
11S-531M-30GEE/840, W	1688 × 80 × 93	55.6	6750	4000	< 16.3
11S-531M-30GGE/840, W	1688 × 80 × 93	78.6	8120	4000	< 17.2
11S-531M-40GEE/840, W	2249 × 80 × 93	77.8	9650	4000	< 16.3
11S-531M-40GGE/840, W	2249 × 80 × 93	110	12970	4000	< 17.2
11S-531M-50GEE/840, W	2810 × 80 × 93	100	12430	4000	< 16.3
11S-531M-50GGE/840, W	2810 × 80 × 93	141.4	16690	4000	< 17.2

AnThese codes represent white luminaires with chromaticity temperature 4000K and optical aluminium louvre.

Notes	Colour of the luminaires	
	Colour Temperature	3000 K warm white 4000 K cool white
	Optic system	Matt parabolic louvre
	Connection of the luminaires	ON/OFF DALI
	Ra	80

End caps, cups, supply cable, and wire suspension for luminaires must be ordered separately. For connection into systems, please order the respective number of couplers, disassembly sets, or a supplementary cable for emergency systems.

Lina80-S

Assembly

Light distribution


Energy class

energy_class_g

Marks

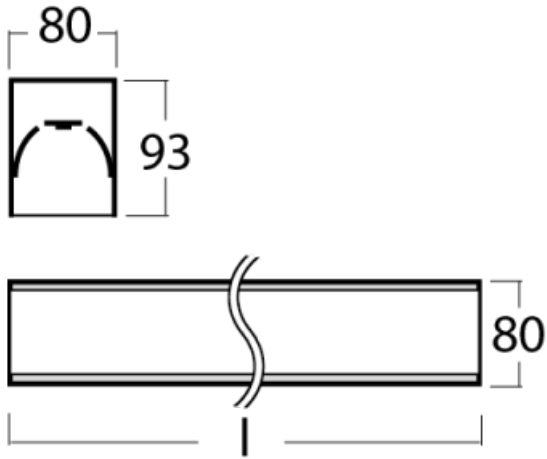
Code	Dimensions l/w/h (mm)	Power of the luminaire (W)	Luminous flux (lm)	Colour Temperature (K)	UGR
11S-521K-20GEE/840, W	613 × 613 × 93	21.9	3050	4000	< 21.2
11S-521K-20GGE/840, W	613 × 613 × 93	36	4690	4000	< 22.7
11S-521K-20GHE/840, W	613 × 613 × 93	50.4	6200	4000	< 23.7

AnThese codes represent white luminaires with chromaticity temperature 4000K and opal diffuser.

Notes	Colour of the luminaires	
	Colour Temperature	3000 K warm white 4000 K cool white
	Optic system	Microprisma Opal diffuser
	Connection of the luminaires	ON/OFF DALI
	Ra	80

End caps, cups, supply cable, and wire suspension for luminaires must be ordered separately. For connection into systems, please order the respective number of couplers, disassembly sets, or a supplementary cable for emergency systems.

Lina80-S



Assembly



Light distribution



Energy class


energy_class_g

Marks

Code	Dimensions l/w/h (mm)	Power of the luminaire (W)	Luminous flux (lm)	Colour Temperature (K)	UGR
05S-200K-10GEE/840, W	561 × 80 × 93	7.4	1060	4000	< 23.5
05S-200K-10GGE/840, W	561 × 80 × 93	12.4	1630	4000	< 25
05S-200K-10GHE/840, W	561 × 80 × 93	21.9	2670	4000	< 26.7
05S-200K-15GEE/840, W	842 × 80 × 93	11.1	1600	4000	< 23.5
05S-200K-15GGE/840, W	842 × 80 × 93	18.6	2450	4000	< 25
05S-200K-15GHE/840, W	842 × 80 × 93	32.9	4010	4000	< 26.7
05S-200K-20GEE/840, W	1122 × 80 × 93	14.8	2130	4000	< 23.5
05S-200K-20GGE/840, W	1122 × 80 × 93	24.8	3270	4000	< 25
05S-200K-20GHE/840, W	1122 × 80 × 93	43.8	5350	4000	< 26.7
05S-200K-25GEE/840, W	1403 × 80 × 93	18.5	2670	4000	< 23.6
05S-200K-25GGE/840, W	1403 × 80 × 93	31	4090	4000	< 25
05S-200K-25GHE/840, W	1403 × 80 × 93	54.8	6690	4000	< 26.7
05S-200K-30GEE/840, W	1683 × 80 × 93	22.2	3200	4000	< 23.5
05S-200K-30GGE/840, W	1683 × 80 × 93	37.2	4910	4000	< 25
05S-200K-30GHE/840, W	1683 × 80 × 93	65.7	8030	4000	< 26.7
05S-200K-35GEE/840, W	1964 × 80 × 93	25.9	3740	4000	< 23.6
05S-200K-35GGE/840, W	1964 × 80 × 93	43.4	5720	4000	< 25
05S-200K-35GHE/840, W	1964 × 80 × 93	76.7	9370	4000	< 26.7
05S-200K-40GEE/840, W	2244 × 80 × 93	29.6	4270	4000	< 23.6
05S-200K-40GGE/840, W	2244 × 80 × 93	49.6	6540	4000	< 25
05S-200K-40GHE/840, W	2244 × 80 × 93	87.6	10710	4000	< 26.7
05S-200K-50GEE/840, W	2805 × 80 × 93	37	5340	4000	< 23.6
05S-200K-50GGE/840, W	2805 × 80 × 93	62	8180	4000	< 25
05S-200K-50GHE/840, W	2805 × 80 × 93	109.5	13390	4000	< 26.7
05S-200K-60GEE/840, W	3366 × 80 × 93	44.4	6410	4000	< 23.6
05S-200K-60GGE/840, W	3366 × 80 × 93	74.4	9820	4000	< 25
05S-200K-60GHE/840, W	3366 × 80 × 93	131.4	16060	4000	< 26.7
05S-200K-80GEE/840, W	4488 × 80 × 93	59.2	8850	4000	< 23.7
05S-200K-80GGE/840, W	4488 × 80 × 93	99.2	13090	4000	< 25

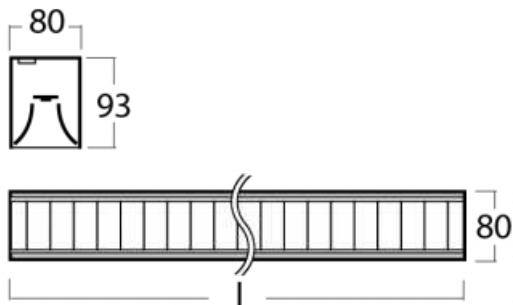
05S-200K-80GHE/840, W	4488 × 80 × 93	175.2	21420	4000	< 26.7
-----------------------	----------------	-------	-------	------	--------

AnThese codes represent white luminaires with chromaticity temperature 4000K and opal diffuser.

Notes	Colour of the luminaires	
	Colour Temperature	3000 K warm white 4000 K cool white
	Optic system	Microprisma Opal diffuser
	Connection of the luminaires	ON/OFF DALI ON/OFF + 1h emergency Other type of dimming ON/OFF + 3h emergency
	Ra	80

Aluminium profile and end caps for luminaires must be ordered separately. For hanging luminaires, don't forget the cup, supply cable, and wire suspensions. For connection into systems, please order the respective number of couplers, disassembly sets, or a supplementary cable for emergency systems.

Lina80-S



Assembly



Light distribution




Energy class

energy_class_g

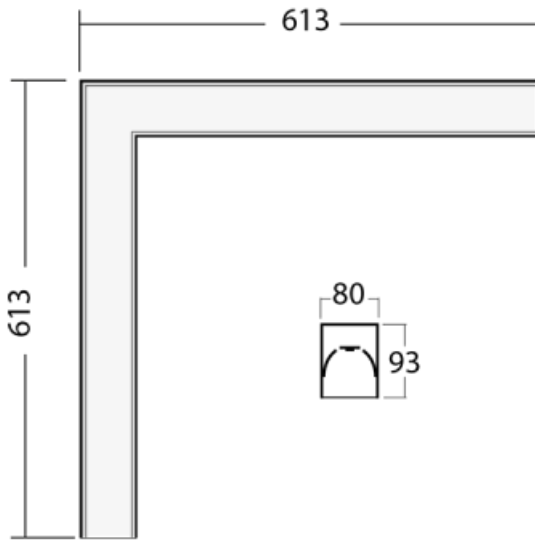
Marks

Code	Dimensions l/w/h (mm)	Power of the luminaire (W)	Luminous flux (lm)	Colour Temperature (K)	UGR
05S-230M-20GEE/840, W	1127 × 80 × 93	24.6	2910	4000	< 16.3
05S-230M-20GGE/840, W	1127 × 80 × 93	33.8	3780	4000	< 17.2
05S-230M-25GEE/840, W	1408 × 80 × 93	30.7	3640	4000	< 16.3
05S-230M-25GGE/840, W	1408 × 80 × 93	42.2	4730	4000	< 17.2
05S-230M-30GEE/840, W	1688 × 80 × 93	36.9	4370	4000	< 16.3
05S-230M-30GGE/840, W	1688 × 80 × 93	50.7	5670	4000	< 17.2
05S-230M-40GEE/840, W	2249 × 80 × 93	49.2	5830	4000	< 16.3
05S-230M-40GGE/840, W	2249 × 80 × 93	67.6	7560	4000	< 17.2
05S-230M-50GEE/840, W	2810 × 80 × 93	61.5	7280	4000	< 16.3
05S-230M-50GGE/840, W	2810 × 80 × 93	84.5	9450	4000	< 17.2

AnThese codes represent white luminaires with chromaticity temperature 4000K and optical aluminium louvre.

Notes	Colour of the luminaires	
	Colour Temperature	3000 K warm white 4000 K cool white
	Optic system	Matt parabolic louvre
	Connection of the luminaires	ON/OFF DALI
	Ra	80

Aluminium profile and end caps for luminaires must be ordered separately. For hanging luminaires, don't forget the cup, supply cable, and wire suspensions. For connection into systems, please order the respective number of couplers, disassembly sets, or a supplementary cable for emergency systems.

Lina80-S

Assembly

Light distribution


Energy class

energy_class_g

Marks

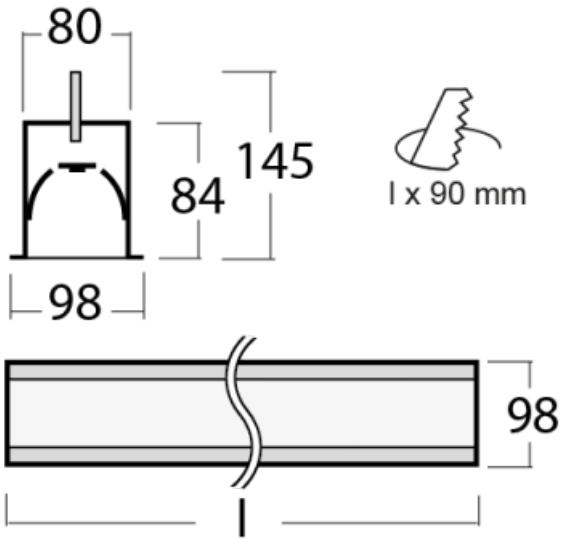
Code	Dimensions l/w/h (mm)	Power of the luminaire (W)	Luminous flux (lm)	Colour Temperature (K)	UGR
05S-220K-20GEE/840, W	613 × 613 × 93	14.8	2130	4000	< 23.3
05S-220K-20GGE/840, W	613 × 613 × 93	24.8	3270	4000	< 24.8
05S-220K-20GHE/840, W	613 × 613 × 93	43.8	5350	4000	< 26.5

AnThese codes represent white luminaires with chromaticity temperature 4000K and opal diffuser.

Notes	Colour of the luminaires	
	Colour Temperature	3000 K warm white 4000 K cool white
	Optic system	Microprisma Opal diffuser
	Connection of the luminaires	ON/OFF DALI Other type of dimming
	Ra	80

Aluminium profile and end caps for luminaires must be ordered separately. For hanging luminaires, don't forget the cup, supply cable, and wire suspensions. For connection into systems, please order the respective number of couplers, disassembly sets, or a supplementary cable for emergency systems.

Lina80-S



Assembly



Energy class

energy_class_g

Light distribution




Marks

Code	Dimensions l/w/h (mm)	Power of the luminaire (W)	Luminous flux (lm)	Colour Temperature (K)	UGR
05S-000K-10GEE/840, W	561 × 98 × 84	7.4	1060	4000	< 23.5
05S-000K-10GGE/840, W	561 × 98 × 84	12.4	1630	4000	< 25
05S-000K-10GHE/840, W	561 × 98 × 84	21.9	2670	4000	< 26.7
05S-000K-15GEE/840, W	842 × 98 × 84	11.1	1600	4000	< 23.5
05S-000K-15GGE/840, W	842 × 98 × 84	18.6	2450	4000	< 25
05S-000K-15GHE/840, W	842 × 98 × 84	32.9	4010	4000	< 26.7
05S-000K-20GEE/840, W	1122 × 98 × 84	14.8	2130	4000	< 23.5
05S-000K-20GGE/840, W	1122 × 98 × 84	24.8	3270	4000	< 25
05S-000K-20GHE/840, W	1122 × 98 × 84	43.8	5350	4000	< 26.7
05S-000K-25GEE/840, W	1403 × 98 × 84	18.5	2670	4000	< 23.6
05S-000K-25GGE/840, W	1403 × 98 × 84	31	4090	4000	< 25
05S-000K-25GHE/840, W	1403 × 98 × 84	54.8	6690	4000	< 26.7
05S-000K-30GEE/840, W	1683 × 98 × 84	22.2	3200	4000	< 23.5
05S-000K-30GGE/840, W	1683 × 98 × 84	37.2	4910	4000	< 25
05S-000K-30GHE/840, W	1683 × 98 × 84	65.7	8030	4000	< 26.7
05S-000K-35GEE/840, W	1964 × 98 × 84	25.9	3740	4000	< 23.6
05S-000K-35GGE/840, W	1964 × 98 × 84	43.4	5720	4000	< 25
05S-000K-35GHE/840, W	1964 × 98 × 84	76.7	9370	4000	< 26.7
05S-000K-40GEE/840, W	2244 × 98 × 84	29.6	4270	4000	< 23.6
05S-000K-40GGE/840, W	2244 × 98 × 84	49.6	6540	4000	< 25
05S-000K-40GHE/840, W	2244 × 98 × 84	87.6	10710	4000	< 26.7
05S-000K-50GEE/840, W	2805 × 98 × 84	37	5340	4000	< 23.6
05S-000K-50GGE/840, W	2805 × 98 × 84	62	8180	4000	< 25
05S-000K-50GHE/840, W	2805 × 98 × 84	109.5	13390	4000	< 26.7
05S-000K-60GEE/840, W	3366 × 98 × 84	44.4	6410	4000	< 23.6
05S-000K-60GGE/840, W	3366 × 98 × 84	74.4	9820	4000	< 25
05S-000K-60GHE/840, W	3366 × 98 × 84	131.4	16060	4000	< 26.7
05S-000K-80GEE/840, W	4488 × 98 × 84	59.2	8850	4000	< 23.7
05S-000K-80GGE/840, W	4488 × 98 × 84	99.2	13090	4000	< 25

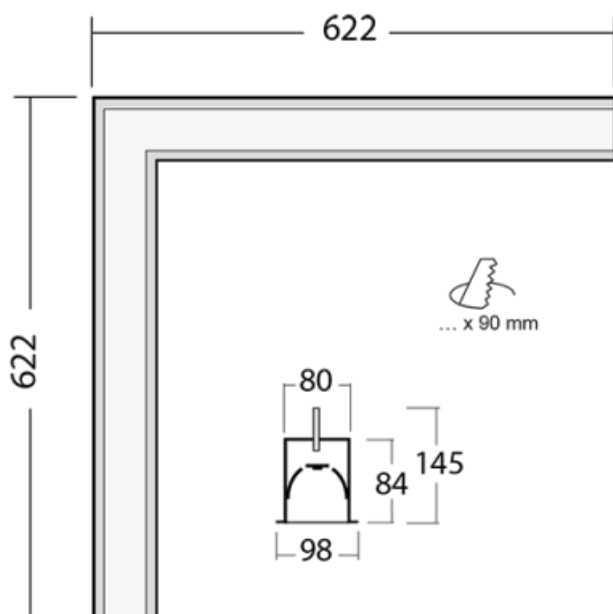
05S-000K-80GHE/840, W	4488 × 98 × 84	175.2	21420	4000	< 26.7
-----------------------	----------------	-------	-------	------	--------

AnThese codes represent white luminaires with chromaticity temperature 4000K and opal diffuser.

Notes	Colour of the luminaires	
	Colour Temperature	3000 K warm white 4000 K cool white
	Optic system	Microprisma Opal diffuser
	Connection of the luminaires	ON/OFF DALI ON/OFF + 1h emergency Other type of dimming ON/OFF + 3h emergency
	Ra	80

Aluminium profile and end caps for luminaires must be ordered separately. For hanging luminaires, don't forget the cup, supply cable, and wire suspensions. For connection into systems, please order the respective number of couplers, disassembly sets, or a supplementary cable for emergency systems.

Lina80-S



Assembly



Light distribution




Energy class

energy_class_g

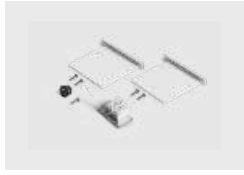
Marks

Code	Dimensions l/w/h (mm)	Power of the luminaire (W)	Luminous flux (lm)	Colour Temperature (K)	UGR
05S-020K-20GEE/840, W	622 × 622 × 84	14.8	2130	4000	< 23.3
05S-020K-20GGE/840, W	622 × 622 × 84	24.8	3270	4000	< 24.8
05S-020K-20GHE/840, W	622 × 622 × 84	43.8	5350	4000	< 26.5

AnThese codes represent white luminaires with chromaticity temperature 4000K and opal diffuser.

Notes	Colour of the luminaires	
	Colour Temperature	3000 K warm white 4000 K cool white
	Optic system	Microprisma Opal diffuser
	Connection of the luminaires	ON/OFF DALI Other type of dimming
	Ra	80

Aluminium profile and end caps for luminaires must be ordered separately. For hanging luminaires, don't forget the cup, supply cable, and wire suspensions. For connection into systems, please order the respective number of couplers, disassembly sets, or a supplementary cable for emergency systems.

Accessories


Code	Description
00-00100, W	2xend cap - metal, 3-conductor terminal box, grommet; Lipo80

Notes Accessories colour



Code	Description
00-00101, W	2xend cap - metal, 5-conductor terminal box, grommet; Lipo80

Notes Accessories colour



Code	Description
00-00200, N	straight connector



Code	Description
00-00300, N	wire suspension 2000mm
00-00301, N	wire suspension 4000mm
00-00302, N	wire suspension 6000mm



Code	Description
00-00350, K	cable 3x0,75 1000mm
00-00352, K	cable 3x0,75 2000mm
00-00354, K	cable 5x0,75 1000mm
00-00355, K	cable 5x0,75 2000mm
00-00356, K	cable 5x0,75 4000mm
00-00357, K	cable 5x0,75 6000mm
00-00358, K	cable 3x0,75 4000mm
00-00360, K	cable 3x0,75 6000mm



Code	Description
00-00370, W	ceiling cup 80x80x32mm

Notes

Accessories colour



Code	Description
00-00500	wire for emergency lighting XX-XXXX-20
00-00501	wire for emergency lighting XX-XXXX-40



Code	Description
00-00600, F	ceiling fastening for luminaires 132-5xxK, 04-2000x, 05-2000x, 09-200x – 1 piece



Code	Description
00-01200, F	Accessory for gear-tray release



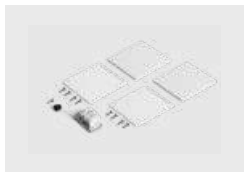
Code	Description
00-20100, W	2xend cap - metal, 3-conductor terminal box, grommet; Lipo80/Lina80

Notes Accessories colour



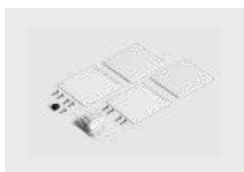
Code	Description
00-20101, W	2xend cap - metal, 5-conductor terminal box, grommet; Lipo80/Lina80

Notes Accessories colour



Code	Description
00-20102, W	2xend cap - plastic, 3-conductor terminal box, grommet; Lipo80/Lina80

Notes Accessories colour



Code	Description
00-20103, W	2xend cap - plastic, 5-conductor terminal box, grommet; Lipo80/Lina80

Notes Accessories colour



Code	Description
00-20700, W	2 pcs of wall fastening Lipo/Lina

Notes

Accessories colour



Code

Description

00-20900, F

bracket for installation of suspended type of profile as recessed trimless



Code

Description

00-21300, W

Lipo80-S, Lina80-S -pendant profile for track luminaires; l = 1122mm

00-21301, W

Lipo80-S, Lina80-S -pendant profile for track luminaires; l = 2242mm

Notes

Accessories colour



Code

Description

00-51300, W

set for suspension into 3-phase track, non-dimmable luminaires

Notes

Accessories colour



Code

Description

00-51301, W

set for suspension into 3-phase track, dimmable luminaires

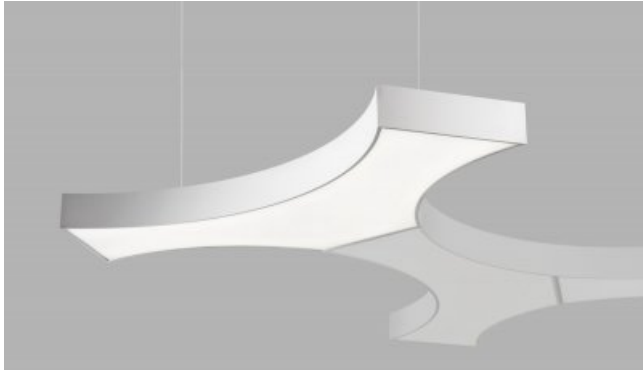
Notes

Accessories colour





Code	Description
132-50201, F	straight connector (for dimmable lum.)



Type of installation	Recessed
Light distribution	Direct
Colour of the luminaires	Black, Silver, White
Colour Temperature	3000 K warm white, 4000 K cool white
Material	Aluminium
Light source	LED MODUL
LED type	Tunable White
MacAdam Light source	3
Connection of the luminaires	ON/OFF DALI Other type of dimming
Lifetime	L80/B10, L90/B50 50 000 hours
Warranty	60 months

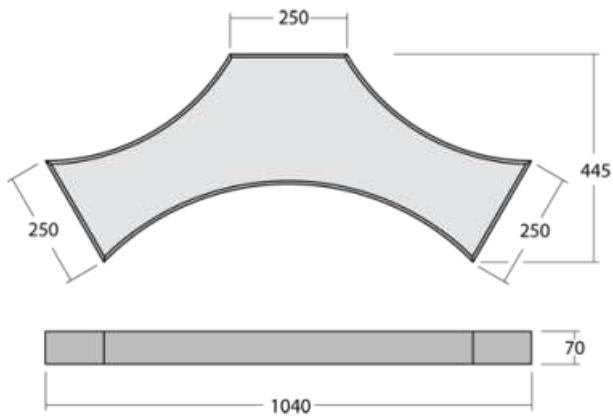
Family

Mila-S

One model, thousands of combinations. The Mila-S luminaire, designed by the world's leading designer Rob Van Beek, is innovative in every aspect. Thanks to a unique magnetic system, you can connect the luminaires to create spatial structures of various shapes without the need for tools. However, none of this would be possible without the latest LED technology, which is hidden inside the aluminium profiles in white, black or silver. In addition, the hidden light source does not create any undesirable shadows. Thanks to the possibility of dimming, the luminaire is suitable for showrooms, offices and various representative spaces. Even the name of this lighting system is perfectly thought through – Mila means “a thousand” in Italian.

Luminaire family variants Mila-S



Mila-S

Assembly

Light distribution


Energy class

energy_class_g

Marks

Code	Dimensions l/w/h (mm)	Power of the luminaire (W)	Luminous flux (lm)	Colour Temperature (K)	UGR
101S-200K-10GGE/840, W	1040 × 445 × 70	32.4	3350	4000	< 20.1
101S-201K-10GGE/840, W	1040 × 445 × 70	34.5	3730	4000	< 19.1
101S-200K-10GHE/840, W	1040 × 445 × 70	47.5	4910	4000	< 21.5
101S-201K-10GHE/840, W	1040 × 445 × 70	51.8	5460	4000	< 20.4

AnThese codes represent white luminaires with chromaticity temperature 4000K and opal diffuser.

Notes	Colour of the luminaires	
	Colour Temperature	3000 K warm white 4000 K cool white 2700 K - 6500 K Tunable White
	Optic system	Opal diffuser
	Connection of the luminaires	ON/OFF DALI DALI DT8
	Ra	80 90

Order a power-supply cable and ceiling cups for hanging. To connect into systems, please order the respective number of connecting cables. Please order the respective number of distancing sets for ceiling or wall assembly and for surface mounting.

Accessories



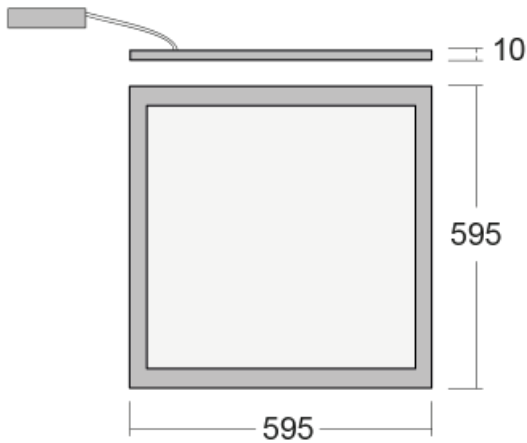
Type of installation	Surface, Wall mounted, Suspended
Light distribution	Direct, Direct-indirect
Colour of the luminaires	Black, Silver, White
Colour Temperature	3000 K warm white, 4000 K cool white, 2700 K - 6500 K Tunable White
Material	Aluminium
Connection of the luminaires	ON/OFF DALI DALI DT8
Lifetime	L80/B20 54 000 hours
Warranty	60 months

Family

Pleki

Luminaire family variants Pleki



Pleki

Assembly

Light distribution

Energy class

energy_class_g

Marks

Code	Dimensions l/w/h (mm)	Power of the luminaire (W)	Luminous flux (lm)	Colour Temperature (K)	UGR
910-000I-10GGE/840, W	595 × 595 × 10	30	3900	4000	-

These codes represent white luminaires with chromaticity temperature 4000K and micro-prismatic optical system.

Notes

 Colour of the
luminaires

 Colour Temperature 3000 K warm white
 4000 K cool white

Optic system Microprisma

 Connection of the
luminaires ON/OFF
 DALI
 ON/OFF + 3h emergency

Ra 80

Luminaires come complete with all necessary accessories.

Accessories



Type of installation	Recessed, Suspended
Light distribution	Direct
Colour of the luminaires	White
Colour Temperature	3000 K warm white, 4000 K cool white
Material	Aluminium
Light source	LED MODUL
LED type	Tunable White
Connection of the luminaires	ON/OFF DALI ON/OFF + 3h emergency
Lifetime	L90/B50 50 000 hours
Warranty	60 months

Family

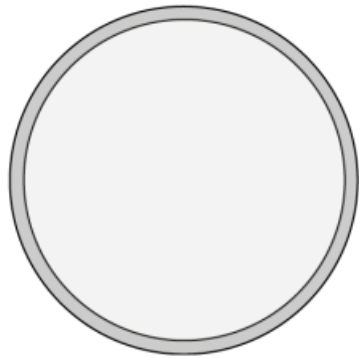
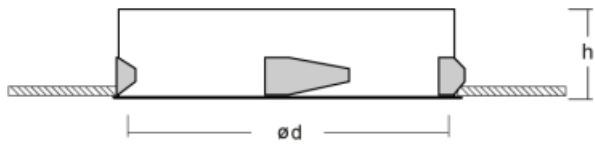
Puri

We were thinking about how to achieve design purity, so we created a family of Puri recessed circular luminaires. Choose between the framed and frameless versions. You can mount it directly into the ceiling, without any cables or suspension fixtures. The framed version has a great advantage as it is very easy to disassemble. Using various diameters of the ceiling light, you can create combinations that will best suit the needs of your commercial spaces, offices, hotels or corridors. Puri blends in with the interior and can be easily combined with other families of circular luminaires.

Luminaire family variants Puri



Puri



Assembly



Light distribution




Energy class

energy_class_g

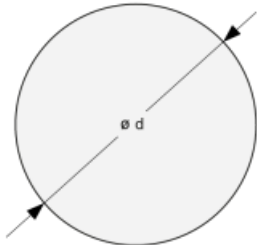
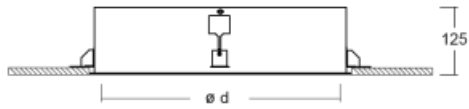
Marks

Code	Dimensions l/w/h (mm)	Power of the luminaire (W)	Luminous flux (lm)	Colour Temperature (K)	UGR
143-030K-10GEE/840, W	∅ 320 × 90	15.6	1530	4000	< 23.2
143-040K-10GEE/840, W	∅ 420 × 90	17.1	2000	4000	< 22.1
143-040K-10GGE/840, W	∅ 420 × 90	30.1	3560	4000	< 24.1
143-050K-10GEE/840, W	∅ 520 × 90	29.3	3760	4000	< 22.7
143-050K-10GGE/840, W	∅ 520 × 90	44.5	5420	4000	< 23.9
143-060K-10GEE/840, W	∅ 620 × 90	30.4	4220	4000	< 21.8
143-060K-10GGE/840, W	∅ 620 × 90	43.2	5880	4000	< 22.9
143-060K-10GHE/840, W	∅ 620 × 90	53.5	7130	4000	< 23.6
143-080K-10GEE/840, W	∅ 870 × 90	57.2	7750	4000	< 21.4
143-080K-10GGE/840, W	∅ 870 × 90	78.3	10420	4000	< 22.5
143-080K-10GHE/840, W	∅ 870 × 90	97.2	12680	4000	< 23.1
143-0A0K-10GEE/840, W	∅ 1170 × 90	91.3	11730	4000	< 20.8
143-0A0K-10GGE/840, W	∅ 1170 × 90	108.3	15790	4000	< 21.8
143-0A0K-10GHE/840, W	∅ 1170 × 90	150.5	19470	4000	< 22.5

AnThese codes represent white luminaires with chromaticity temperature 4000K and opal diffuser.

Notes	Colour of the luminaires	
	Colour Temperature	3000 K warm white 4000 K cool white 2700 K - 6500 K Tunable White
	Optic system	Microprisma Opal diffuser
	Connection of the luminaires	ON/OFF DALI DALI DT8
	Ra	80 90

Luminaires come complete with all necessary accessories.

Puri

Assembly

Light distribution

Energy class

energy_class_g

Marks

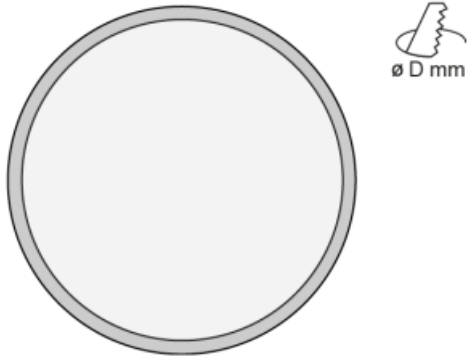
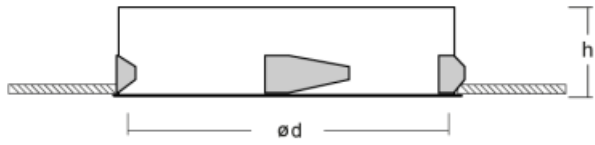
Code	Dimensions l/w/h (mm)	Power of the luminaire (W)	Luminous flux (lm)	Colour Temperature (K)	UGR
140-052K-10GHE/840	ø 355 × 125	22.5	2160	4000	< 19.4
140-052K-10GIE/840	ø 435 × 125	28	3060	4000	< 20.6
140-062K-10GNE/840	ø 633 × 125	68.5	7260	4000	< 20.9
140-072K-12GEE/840	ø 924 × 125	95	11420	4000	< 20
140-082K-22GEE/840	ø 1203 × 125	245	24290	4000	< 20.2

These codes represent luminaires with chromaticity temperature 4000K and opal diffuser.

Notes	Colour Temperature	3000 K warm white 4000 K cool white
	Optic system	Microprisma Opal diffuser
	Connection of the luminaires	ON/OFF DALI ON/OFF + 1h emergency ON/OFF + 3h emergency
	Ra	80

Luminaires come complete with all necessary accessories.

Puri



Assembly



Light distribution



Energy class

energy_class_g

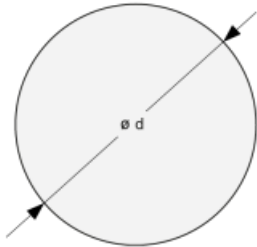
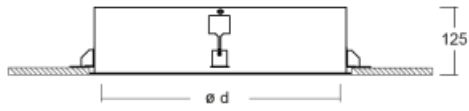
Marks

Code	Dimensions l/w/h (mm)	Power of the luminaire (W)	Luminous flux (lm)	Colour Temperature (K)	UGR
14X-0XXX-10GXX/840, W	ø 0 × 0	10.1	920	4000	< 99

AnThese codes represent white luminaires with chromaticity temperature 4000K and opal diffuser.

Notes	Colour of the luminaires	<input type="radio"/>
	Colour Temperature	4000 K cool white
	Ra	0

Luminaires come complete with all necessary accessories.

Puri

Assembly

Light distribution

Energy class

energy_class_g

Marks

Code	Dimensions l/w/h (mm)	Power of the luminaire (W)	Luminous flux (lm)	Colour Temperature (K)	UGR
140-0XXX-10GXX/840	$\varnothing 0 \times 0$	16.7	900	4000	< 99

These codes represent luminaires with chromaticity temperature 4000K and opal diffuser.

Notes

Colour Temperature 4000 K cool white

Ra 0

Luminaires come complete with all necessary accessories.

Accessories



Type of installation	Recessed
Light distribution	Direct
Colour of the luminaires	White
Colour Temperature	4000 K cool white
Material	Aluminium
Light source	LED MODUL
LED type	Tunable White
MacAdam Light source	3
Connection of the luminaires	ON/OFF DALI ON/OFF + 1h emergency ON/OFF + 3h emergency
Lifetime	L80/B20 50 000 hours
Warranty	60 months

Family

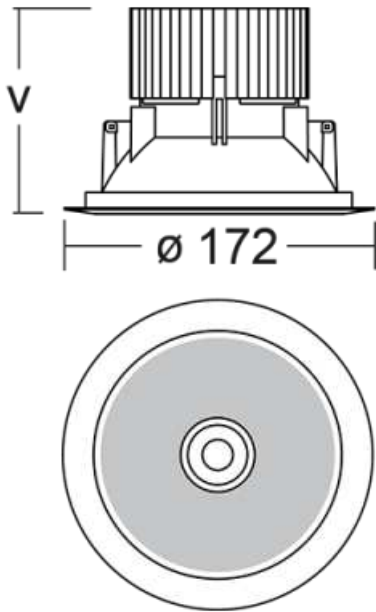
Ravo

This circular downlight luminaire has been designed for LED sources with an efficacy of up to 130 lm/W. Ravo luminaires have been made of polycarbonate plastic and a passive aluminium heat sink. The IP44 class provided by the versions with clear or structured plexiglass protects against the penetration of water and foreign matter. Ravo luminaire with a wider beam angle is a good solution for commercial and social spaces, car showrooms and communication zones. Its great advantage is the possibility to fit into a hole up to 230 mm in diameter with the help of additional accessories.

Luminaire family variants Ravo



Ravo



Assembly

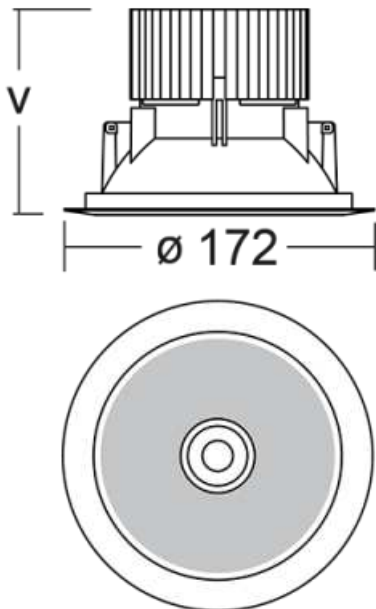
Light distribution

Energy class

Marks

Notes Recessed and surface luminaires come complete with all necessary accessories. Reduction accessories can be ordered for assembly into larger openings (up to 230 mm) in false ceilings.

Ravo



Assembly

Light distribution




Energy class

Marks

energy_class_d energy_class_g

Code	Dimensions l/w/h (mm)	Power of the luminaire (W)	Luminous flux (lm)	Colour Temperature (K)	UGR
55-062C-10GHV/840, W + 00-00151E	∅ 172 × 85	9.1	1150	4000	< 18.7
55-072K-10GHV/840, W + 00-00151E	∅ 172 × 85	9.1	1090	4000	< 19
55-062C-10GHV/840, W + 00-00152E	∅ 172 × 85	17	1990	4000	< 18.7
55-072K-10GHV/840, W + 00-00152E	∅ 172 × 85	17	1890	4000	< 19
55-062C-10GHV/840, W + 00-00153E	∅ 172 × 85	23.2	2570	4000	< 18.7
55-072K-10GHV/840, W + 00-00153E	∅ 172 × 85	23.2	2320	4000	< 19

The indicated codes stand for a white luminaire with colour temperature of 4000K.

Notes	Beam angle	62, 64
	Colour of the luminaires	
	Colour Temperature	3000 K warm white 4000 K cool white 2700 K - 6500 K Tunable White
	Optic system	Opal diffuser Clear cover
	Connection of the luminaires	ON/OFF DALI ON/OFF + 1h emergency ON/OFF + 3h emergency DALI DT8 DALI + 1h emergency DALI + 3h emergency ON/OFF multiwatt
	Ra	80

Recessed and surface luminaires come complete with all necessary accessories. Reduction accessories can be ordered for assembly into larger openings (up to 230 mm) in false ceilings.

Accessories



Code	Description
------	-------------

55-0002, W	
------------	--

Notes

Accessories colour



Code	Description
------	-------------

55-0003, W	wire suspension 1 wire, for cable 2m
------------	--------------------------------------

55-0004, W	wire suspension 1 wire, for cable 2m
------------	--------------------------------------

Notes

Accessories colour




Family

Ravo-C

Type of installation	Recessed
Light distribution	Direct
Colour of the luminaires	RAL 7045, Black, Silver, White
Colour Temperature	3000 K warm white, 4000 K cool white, 2700 K - 6500 K Tunable White
Material	Plastic
Light source	LED MODUL
MacAdam Light source	3
Connection of the luminaires	ON/OFF DALI ON/OFF + 1h emergency ON/OFF + 3h emergency DALI DT8 DALI + 1h emergency DALI + 3h emergency ON/OFF multiwatt
Lifetime	L80/B20, L80/B10 50 000 hours
Warranty	60 months

Luminaire family variants Ravo-C


Ravo-C
Assembly

Light distribution


Energy class

energy_class_d energy_class_g

Marks

Code	Dimensions l/w/h (mm)	Power of the luminaire (W)	Luminous flux (lm)	Colour Temperature (K)	UGR
55-283K-10GDE/840, W	∅ 172 × 187	9.6	1130	4000	< 19
55-283K-10GGE/840, W	∅ 172 × 187	18	1920	4000	< 20.8
55-283K-10GHE/840, W	∅ 172 × 187	24.5	2430	4000	< 21.6

The indicated codes stand for a white luminaire with colour temperature of 4000K.

Notes	Beam angle	62, 64
	Colour of the luminaires	
	Colour Temperature	3000 K warm white 4000 K cool white
	Optic system	Opal diffuser Clear cover
	Connection of the luminaires	ON/OFF DALI ON/OFF + 1h emergency ON/OFF + 3h emergency
	Ra	80

For pendant assembly, you must order a pendant set containing cables and a ceiling cup.

Accessories



Type of installation	Surface, Suspended
Light distribution	Direct
Colour of the luminaires	Black, Silver, White
Colour Temperature	3000 K warm white, 4000 K cool white
Material	Aluminium/Plastic
Light source	LED MODUL
MacAdam Light source	2
Connection of the luminaires	ON/OFF DALI ON/OFF + 1h emergency ON/OFF + 3h emergency
Lifetime	L80/B20 50 000 hours
Warranty	60 months

Family

Rofo

The word integration perfectly describes the Rofo-S luminaires. The luminaires can literally be clicked into the metal ceiling system of leading manufacturers Knauf, Hunter Douglas, Dampa and T-Bar. The luminaires thus form an integral part of the ceiling as they are without a visible frame. The advantage is not only the ease of installation, but also the elegant design of the entire lighting system. The luminaire width is 100 mm and the luminaire lengths are, of course, multiples of 600 mm with regard to standardised ceiling dimensions. Thanks to the opal variant, but above all the microprismatic optical material, the specific power of up to 130lm/W and the luminous flux of 2000 lm/m while maintaining UGR<19, the luminaires are perfect for offices. But they also serve well in corridors, meeting rooms, auditoriums or laboratories.

Luminaire family variants Rofo





Rofo
Assembly

Light distribution


Energy class

energy_class_g

Marks

Code	Dimensions l/w/h (mm)	Power of the luminaire (W)	Luminous flux (lm)	Colour Temperature (K)	UGR
250-KOCK-10GEE/840, W	600 × 100 × 62	5.9	820	4000	< 21.9
250-KOCK-10GGE/840, W	600 × 100 × 62	9.1	1240	4000	< 23.4
250-KOCK-20GEE/840, W	1200 × 100 × 62	11.7	1650	4000	< 21.9
250-KOCK-20GGE/840, W	1200 × 100 × 62	18.2	2480	4000	< 23.4
250-KOCK-30GEE/840, W	1800 × 100 × 62	17.6	2480	4000	< 21.9
250-KOCK-30GGE/840, W	1800 × 100 × 62	27.2	3720	4000	< 23.4
250-KOCK-40GEE/840, W	2400 × 100 × 62	23.4	3310	4000	< 21.9
250-KOCK-40GGE/840, W	2400 × 100 × 62	36.2	4960	4000	< 23.4

AnThese codes represent white luminaires with chromaticity temperature 4000K and opal diffuser.

Notes	Colour of the luminaires	
	Colour Temperature	3000 K warm white 4000 K cool white
	Optic system	Microprisma Opal diffuser
	Connection of the luminaires	ON/OFF DALI
	Ra	80

Luminaires come complete with all necessary accessories.

Rofo
Assembly

Light distribution


Energy class

energy_class_g

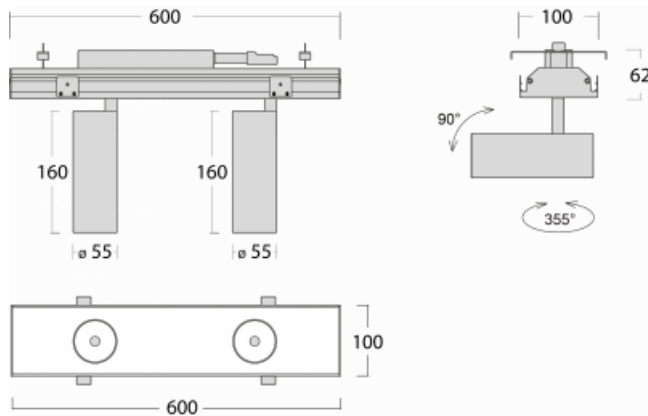
Marks

Code	Dimensions l/w/h (mm)	Power of the luminaire (W)	Luminous flux (lm)	Colour Temperature (K)	UGR
250-KOCF-10GDE/940, W	600 × 100 × 62	13.6	1250	4000	-
250-KOCF-10GGE/940, W	600 × 100 × 62	20	1750	4000	-

AnThese codes represent white luminaires with chromaticity temperature 4000K and opal diffuser.

Notes	Beam angle	17, 27, 45, 68
	Colour of the luminaires	
	Colour Temperature	3000 K warm white 4000 K cool white
	Optic system	Reflector
	Connection of the luminaires	ON/OFF DALI
	Ra	90

Luminaires come complete with all necessary accessories.

Rofo

Assembly

Light distribution


Energy class

energy_class_g

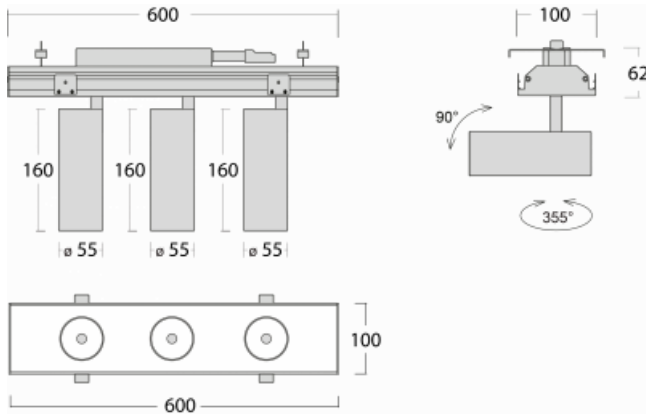
Marks

Code	Dimensions l/w/h (mm)	Power of the luminaire (W)	Luminous flux (lm)	Colour Temperature (K)	UGR
250-KOCF-20GDE/940, W	600 × 100 × 62	27.2	2500	4000	-
250-KOCF-20GGE/940, W	600 × 100 × 62	40	3500	4000	-

AnThese codes represent white luminaires with chromaticity temperature 4000K and opal diffuser.

Notes	Beam angle	17, 27, 45, 68
	Colour of the luminaires	
	Colour Temperature	3000 K warm white 4000 K cool white
	Optic system	Reflector
	Connection of the luminaires	ON/OFF DALI
	Ra	90

Luminaires come complete with all necessary accessories.

Rofo

Assembly

Light distribution


Energy class

energy_class_g

Marks

Code	Dimensions l/w/h (mm)	Power of the luminaire (W)	Luminous flux (lm)	Colour Temperature (K)	UGR
250-KOCF-30GDE/940, W	600 × 100 × 62	40.8	3750	4000	-
250-KOCF-30GGE/940, W	600 × 100 × 62	60	5250	4000	-

AnThese codes represent white luminaires with chromaticity temperature 4000K and opal diffuser.

Notes	Beam angle	17, 27, 45, 68
	Colour of the luminaires	
	Colour Temperature	3000 K warm white 4000 K cool white
	Optic system	Reflector
	Connection of the luminaires	ON/OFF DALI
	Ra	90

Luminaires come complete with all necessary accessories.

Rofo
Assembly

Light distribution

Energy class

energy_class_g

Marks
Notes

Colour of the luminaires



Colour Temperature

6500 K cool white

Optic system

Clear cover

Connection of the luminaires

 ON/OFF + 1h emergency
 ON/OFF + 3h emergency

Luminaires come complete with all necessary accessories.

Accessories



Type of installation	Recessed
Light distribution	Direct
Colour of the luminaires	White
Colour Temperature	6500 K cool white
Material	Plastic
Light source	LED MODUL
MacAdam Light source	3
Connection of the luminaires	ON/OFF + 1h emergency ON/OFF + 3h emergency
Lifetime	L90/B50 50 000 hours
Warranty	60 months

Family

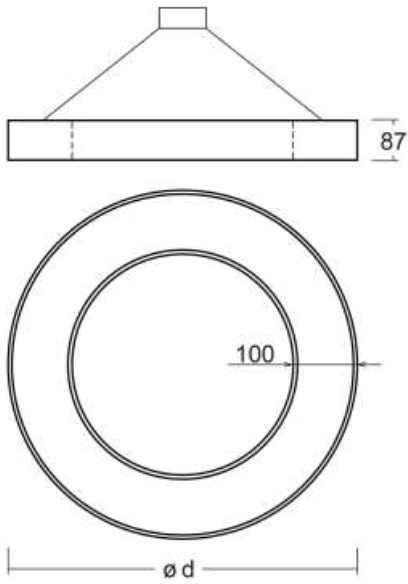
Rotao100

The Rotao100 designer luminaire pays tribute to geometric beauty. Its circular shape is sure to catch the eye of many admirers. The inner opening will also optically lighten up your commercial, office and home spaces. The luminaire has been fitted with a LED source with an efficacy of up to 150 lm/W, hidden behind the opal diffuser in the aluminium profile. Its surface has been treated with a baked-on powder coating available in three shades – unobtrusive white, elegant gray and timeless black, or you can pick a colour from the Halla RAL chart.

Luminaire family variants Rotao100



Rotao100 acoustic



Assembly



Light distribution



Energy class

energy_class_g

Marks

Notes

Colour of the luminaires



Colour Temperature 4000 K cool white

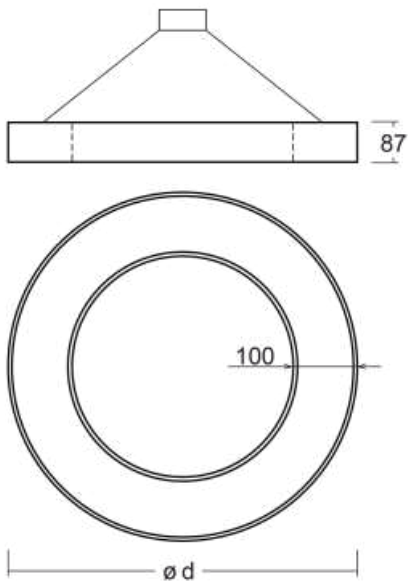
Optic system Microprisma

Connection of the luminaires ON/OFF

Ra 80

Luminaires come complete with all necessary accessories.

Rotao100



Assembly



Light distribution




Energy class

Marks

energy_class_g

Code	Dimensions l/w/h (mm)	Power of the luminaire (W)	Luminous flux (lm)	Colour Temperature (K)	UGR
127-560K-10GEE/840, W	∅ 600 × 87	23.3	2660	4000	< 22.7
127-561K-10GEE/840, W	∅ 600 × 87	27.7	3160	4000	< 21.2
127-560K-10GGE/840, W	∅ 600 × 87	32.7	3620	4000	< 23.7
127-561K-10GGE/840, W	∅ 600 × 87	38.8	4300	4000	< 22.3
127-580K-10GEE/840, W	∅ 850 × 87	34.9	4000	4000	< 22.8
127-581K-10GEE/840, W	∅ 850 × 87	41.5	4750	4000	< 21.3
127-580K-10GGE/840, W	∅ 850 × 87	49	5440	4000	< 23.8
127-581K-10GGE/840, W	∅ 850 × 87	58.2	6460	4000	< 23.9
127-5B0K-10GEE/840, W	∅ 1200 × 87	46.6	5330	4000	< 22.7
127-5B1K-10GEE/840, W	∅ 1200 × 87	55.3	6330	4000	< 21.2
127-5B0K-10GGE/840, W	∅ 1200 × 87	65.4	7250	4000	< 23.7
127-5B1K-10GGE/840, W	∅ 1200 × 87	77.6	8610	4000	< 22.3
127-5C0K-10GEE/840, W	∅ 1500 × 87	61.1	7000	4000	< 22.7
127-5C1K-10GEE/840, W	∅ 1500 × 87	69.9	8000	4000	< 21.5
127-5C0K-10GGE/840, W	∅ 1500 × 87	85.8	9520	4000	< 23.8
127-5C1K-10GGE/840, W	∅ 1500 × 87	98	10880	4000	< 22.6

AnThese codes represent white luminaires with chromaticity temperature 4000K and opal diffuser.

Notes	Colour of the luminaires	
	Colour Temperature	3000 K warm white 4000 K cool white
	Optic system	Microprisma Opal diffuser
	Connection of the luminaires	ON/OFF DALI
	Ra	80

Luminaires come complete with all necessary accessories.

Accessories



Type of installation	Suspended
Light distribution	Direct, Direct-indirect
Colour of the luminaires	Black, Silver, White
Colour Temperature	3000 K warm white, 4000 K cool white
Material	Aluminium
Light source	LED MODUL
MacAdam Light source	3
Connection of the luminaires	ON/OFF DALI
Lifetime	L80/B20 50 000 hours
Warranty	60 months

Family

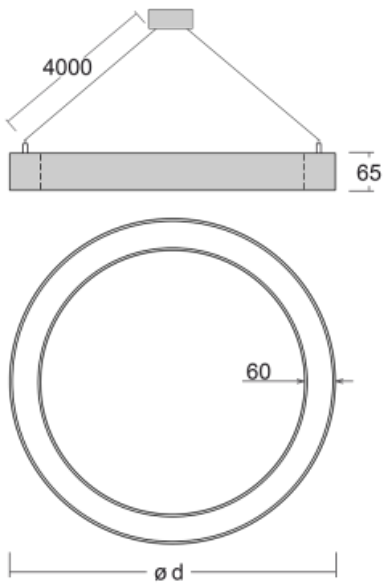
Rotao60

The designer circular luminaire Rotao60 comes in a large number of diameters, thanks to which it fits well into various social and commercial spaces. You can also use it to decorate your living room or a meeting room. If you combine the luminaire with microprismatic optics, its efficacy can be surprising even in an office. Pendant versions of the Rotao60 luminaire with a diameter of up to 800 mm are suspended on suspension wires which converge into a single ceiling cup, while larger diameters are suspended on wires that run perpendicular to the ceiling.

Luminaire family variants Rotao60



Rotao60



Assembly



Light distribution



Energy class

energy_class_g

Marks

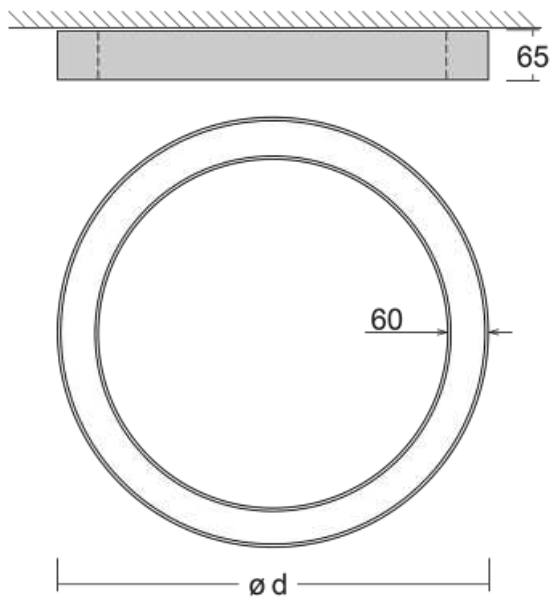
Code	Dimensions l/w/h (mm)	Power of the luminaire (W)	Luminous flux (lm)	Colour Temperature (K)	UGR
227-260K-10GEE/840, W + 00-00341, W	∅ 603 × 65	22.9	2610	4000	< 24
227-561K-10GEE/840, W	∅ 603 × 65	28.7	3270	4000	< 22.5
227-260K-10GGE/840, W + 00-00341, W	∅ 603 × 65	31.8	3580	4000	< 25.1
227-561K-10GGE/840, W	∅ 603 × 65	39.7	4480	4000	< 23.6
227-280K-10GEE/840, W + 00-00341, W	∅ 800 × 65	30.6	3480	4000	< 23.8
227-581K-10GEE/840, W	∅ 800 × 65	38.2	4360	4000	< 22.3
227-280K-10GGE/840, W + 00-00341, W	∅ 800 × 65	42.4	4780	4000	< 24.9
227-581K-10GGE/840, W	∅ 800 × 65	53	5980	4000	< 23.4
227-2B0K-10GEE/840, W + 00-00378, W	∅ 1140 × 65	45.9	5230	4000	< 23.9
227-5B1K-10GEE/840, W	∅ 1140 × 65	61.1	6990	4000	< 22.1
227-2B0K-10GGE/840, W + 00-00378, W	∅ 1140 × 65	63.6	7170	4000	< 25
227-5B1K-10GGE/840, W	∅ 1140 × 65	84.8	9570	4000	< 23.2
227-2C0K-10GEE/840, W + 00-00378, W	∅ 1515 × 65	61.1	6970	4000	< 23.8
227-5C1K-10GEE/840, W	∅ 1515 × 65	76.4	8730	4000	< 22.4
227-2C0K-10GGE/840, W + 00-00378, W	∅ 1515 × 65	84.8	9560	4000	< 24.9
227-5C1K-10GGE/840, W	∅ 1515 × 65	105.9	11960	4000	< 23.5
227-2D0K-10GEE/840, W + 00-00387, W	∅ 2050 × 65	84.1	9590	4000	< 23.9
227-2D0K-10GGE/840, W + 00-00387, W	∅ 2050 × 65	116.5	13140	4000	< 24.9
227-2E0K-10GEE/840, W + 00-00387, W	∅ 2440 × 65	99.4	11340	4000	< 23.8
227-2E0K-10GGE/840, W + 00-00387, W	∅ 2440 × 65	137.7	15530	4000	< 24.9
227-2F0K-10GEE/840, W + 00-00387, W	∅ 2980 × 65	122.3	13950	4000	< 23.9
227-2F0K-10GGE/840, W + 00-00387, W	∅ 2980 × 65	169.5	19120	4000	< 25

AnThese codes represent white luminaires with chromaticity temperature 4000K and opal diffuser.

Notes	Colour of the luminaires	● ● ●
	Colour Temperature	3000 K warm white 4000 K cool white 2700 K - 6500 K Tunable White
	Optic system	Microprisma Opal diffuser
	Connection of the luminaires	ON/OFF DALI DALI DT8
	Ra	80 90

Luminaires come in parts. Their codes are specified in the description of the specific type of luminaire.

Rotao60



Assembly



Light distribution




Energy class

energy_class_g

Marks

Code	Dimensions l/w/h (mm)	Power of the luminaire (W)	Luminous flux (lm)	Colour Temperature (K)	UGR
227-260K-10GEE/840, W	∅ 603 × 65	22.9	2610	4000	< 24
227-260K-10GGE/840, W	∅ 603 × 65	31.8	3580	4000	< 25.1
227-280K-10GEE/840, W	∅ 800 × 65	30.6	3480	4000	< 23.8
227-280K-10GGE/840, W	∅ 800 × 65	42.4	4780	4000	< 24.9
227-2B0K-10GEE/840, W	∅ 1140 × 65	45.9	5230	4000	< 23.9
227-2B0K-10GGE/840, W	∅ 1140 × 65	63.6	7170	4000	< 25
227-2C0K-10GEE/840, W	∅ 1515 × 65	61.1	6970	4000	< 23.8
227-2C0K-10GGE/840, W	∅ 1515 × 65	84.8	9560	4000	< 24.9
227-2D0K-10GEE/840, W	∅ 2050 × 65	84.1	9590	4000	< 23.9
227-2D0K-10GGE/840, W	∅ 2050 × 65	116.5	13140	4000	< 24.9
227-2E0K-10GEE/840, W	∅ 2440 × 65	99.4	11340	4000	< 23.8
227-2E0K-10GGE/840, W	∅ 2440 × 65	137.7	15530	4000	< 24.9
227-2F0K-10GEE/840, W	∅ 2980 × 65	122.3	13950	4000	< 23.9
227-2F0K-10GGE/840, W	∅ 2980 × 65	169.5	19120	4000	< 25

AnThese codes represent white luminaires with chromaticity temperature 4000K and opal diffuser.

Notes	Colour of the luminaires	
	Colour Temperature	3000 K warm white 4000 K cool white
	Optic system	Microprisma Opal diffuser
	Connection of the luminaires	ON/OFF DALI Other type of dimming
	Ra	80

Luminaires come complete with all necessary accessories.

Accessories



Type of installation	Surface
Light distribution	Direct
Colour of the luminaires	Black, Silver, White
Colour Temperature	3000 K warm white, 4000 K cool white
Material	Aluminium
Light source	LED MODUL
LED type	Tunable White
MacAdam Light source	3
Connection of the luminaires	ON/OFF DALI Other type of dimming
Lifetime	L80/B20 50 000 hours
Warranty	60 months

Family

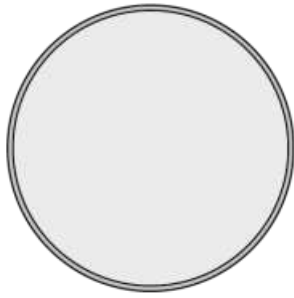
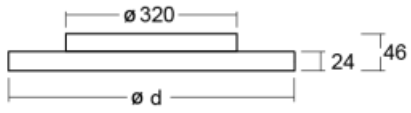
Rundo

Circular luminaires with an aluminium profile come in two heights, 62 mm and 87 mm. Rundo luminaires feature an excellent efficacy of up to 145 lm/W, which can give the space lightness and appeal. The luminaires are pendant or flush-mounted, with direct or direct-indirect distribution of light creating an interesting light halo. A circular luminaire with a PMMA opal diffuser or microprismatic optical system is suitable for both commercial spaces and households. A playful and interesting effect can be created by combining different diameters. Rundo luminaires with a diameter of up to 1150 mm can be equipped with a motion sensor, daylight sensor or Bluetooth technology, which allows easy control of the luminaire from your smart device.

Luminaire family variants Rundo






Rundo**Assembly****Light distribution****Energy class**

energy_class_g

Marks

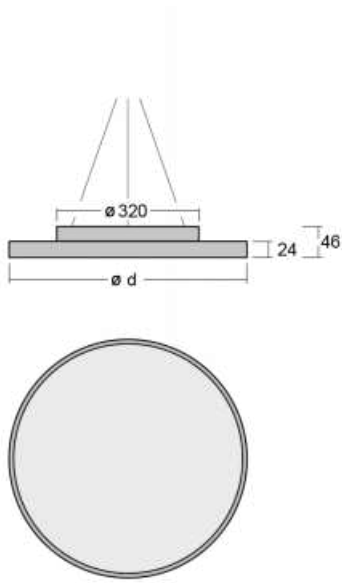
Code	Dimensions l/w/h (mm)	Power of the luminaire (W)	Luminous flux (lm)	Colour Temperature (K)	UGR
290-241K-10GEE/840, W	∅ 410 × 24	10	1450	4000	< 17.5
290-240K-10GEE/840, W	∅ 410 × 24	11.3	1540	4000	< 21.7
290-240K-10GGE/840, W	∅ 410 × 24	18.6	2550	4000	< 23.4
290-241K-10GGE/840, W	∅ 410 × 24	20.8	3000	4000	< 20
290-240K-10GHE/840, W	∅ 410 × 24	29.7	4060	4000	< 25.1
290-241K-10GHE/840, W	∅ 410 × 24	35.2	5040	4000	< 21.8
290-260K-10GEE/840, W	∅ 630 × 24	14.9	2090	4000	< 19.6
290-261K-10GEE/840, W	∅ 630 × 24	17	2550	4000	< 17.6
290-260K-10GGE/840, W	∅ 630 × 24	21.6	3060	4000	< 20.9
290-261K-10GGE/840, W	∅ 630 × 24	24	3600	4000	< 18.8
290-260K-10GHE/840, W	∅ 630 × 24	29.2	4100	4000	< 21.9
290-261K-10GHE/840, W	∅ 630 × 24	33.9	4990	4000	< 20
290-260K-10GIE/840, W	∅ 630 × 24	40.8	5630	4000	< 23
290-261K-10GIE/840, W	∅ 630 × 24	51.6	7420	4000	< 21.4

AnThese codes represent white luminaires with chromaticity temperature 4000K and opal diffuser.

Notes	Colour of the luminaires	
	Colour Temperature	3000 K warm white 4000 K cool white
	Optic system	Microprisma Opal diffuser
	Connection of the luminaires	ON/OFF DALI ON/OFF + 3h emergency
	Ra	80

For pendant assembly, you must order a pendant set containing cables and a ceiling cup.

Rundo



Assembly



Light distribution




Energy class

energy_class_g

Marks

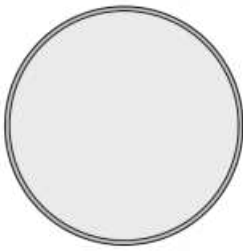
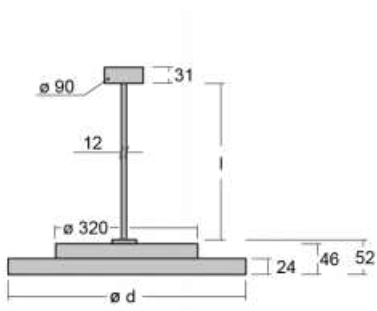
Code	Dimensions l/w/h (mm)	Power of the luminaire (W)	Luminous flux (lm)	Colour Temperature (K)	UGR
290-241K-10GEE/840, W + 00-00334, W	ø 410 × 24	10	1450	4000	< 17.5
290-240K-10GEE/840, W + 00-00334, W	ø 410 × 24	11.3	1540	4000	< 21.7
290-240K-10GGE/840, W + 00-00334, W	ø 410 × 24	18.6	2550	4000	< 23.4
290-241K-10GGE/840, W + 00-00334, W	ø 410 × 24	20.8	3000	4000	< 20
290-240K-10GHE/840, W + 00-00334, W	ø 410 × 24	29.7	4060	4000	< 25.1
290-241K-10GHE/840, W + 00-00334, W	ø 410 × 24	35.2	5040	4000	< 21.8
290-260K-10GEE/840, W + 00-00334, W	ø 630 × 24	14.9	2090	4000	< 19.6
290-261K-10GEE/840, W + 00-00334, W	ø 630 × 24	17	2550	4000	< 17.6
290-260K-10GGE/840, W + 00-00334, W	ø 630 × 24	21.6	3060	4000	< 20.9
290-261K-10GGE/840, W + 00-00334, W	ø 630 × 24	24	3600	4000	< 18.8
290-260K-10GHE/840, W + 00-00334, W	ø 630 × 24	29.2	4100	4000	< 21.9
290-261K-10GHE/840, W + 00-00334, W	ø 630 × 24	33.9	4990	4000	< 20
290-260K-10GIE/840, W + 00-00334, W	ø 630 × 24	40.8	5630	4000	< 23
290-261K-10GIE/840, W + 00-00334, W	ø 630 × 24	51.6	7420	4000	< 21.4

AnThese codes represent white luminaires with chromaticity temperature 4000K and opal diffuser.

Notes	Colour of the luminaires	
	Colour Temperature	3000 K warm white 4000 K cool white
	Optic system	Microprisma Opal diffuser
	Connection of the luminaires	ON/OFF DALI ON/OFF + 3h emergency
	Ra	80

For pendant assembly, you must order a pendant set containing cables and a ceiling cup.

Rundo



Assembly



Light distribution



Energy class

Marks

energy_class_g

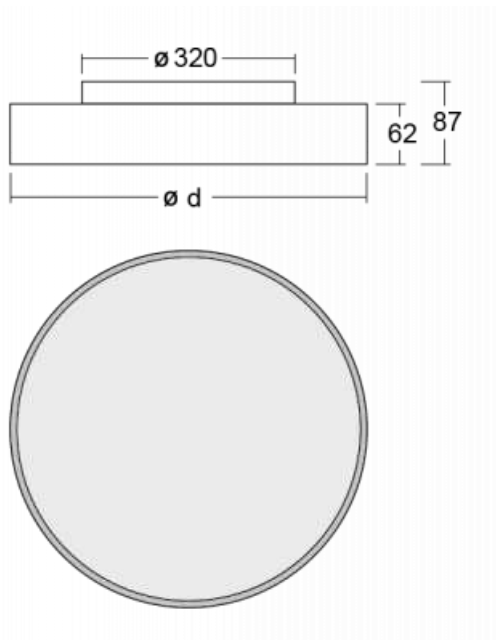
Code	Dimensions l/w/h (mm)	Power of the luminaire (W)	Luminous flux (lm)	Colour Temperature (K)	UGR
290-241K-10GEE/840, W + 00-00384-1000/RUN, W	∅ 410 × 24	10	1450	4000	< 17.5
290-240K-10GEE/840, W + 00-00384-1000/RUN, W	∅ 410 × 24	11.3	1540	4000	< 21.7
290-240K-10GGE/840, W + 00-00384-1000/RUN, W	∅ 410 × 24	18.6	2550	4000	< 23.4
290-241K-10GGE/840, W + 00-00384-1000/RUN, W	∅ 410 × 24	20.8	3000	4000	< 20
290-240K-10GHE/840, W + 00-00384-1000/RUN, W	∅ 410 × 24	29.7	4060	4000	< 25.1
290-241K-10GHE/840, W + 00-00384-1000/RUN, W	∅ 410 × 24	35.2	5040	4000	< 21.8
290-260K-10GEE/840, W + 00-00384-1000/RUN, W	∅ 630 × 24	14.9	2090	4000	< 19.6
290-261K-10GEE/840, W + 00-00384-1000/RUN, W	∅ 630 × 24	17	2550	4000	< 17.6
290-260K-10GGE/840, W + 00-00384-1000/RUN, W	∅ 630 × 24	21.6	3060	4000	< 20.9
290-261K-10GGE/840, W + 00-00384-1000/RUN, W	∅ 630 × 24	24	3600	4000	< 18.8
290-260K-10GHE/840, W + 00-00384-1000/RUN, W	∅ 630 × 24	29.2	4100	4000	< 21.9
290-261K-10GHE/840, W + 00-00384-1000/RUN, W	∅ 630 × 24	33.9	4990	4000	< 20
290-260K-10GIE/840, W + 00-00384-1000/RUN, W	∅ 630 × 24	40.8	5630	4000	< 23
290-261K-10GIE/840, W + 00-00384-1000/RUN, W	∅ 630 × 24	51.6	7420	4000	< 21.4

AnThese codes represent white luminaires with chromaticity temperature 4000K and opal diffuser.

Notes	Colour of the luminaires	● ● ●
	Colour Temperature	3000 K warm white 4000 K cool white
	Optic system	Microprisma Opal diffuser
	Connection of the luminaires	ON/OFF DALI ON/OFF + 3h emergency
	Ra	80

For pendant assembly, you must order a pendant set containing cables and a ceiling cup.

Rundo



Assembly



Light distribution



Energy class

energy_class_g

Marks

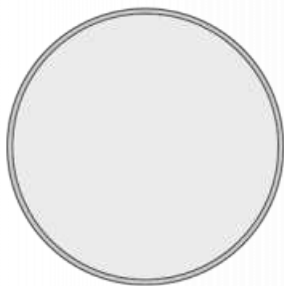
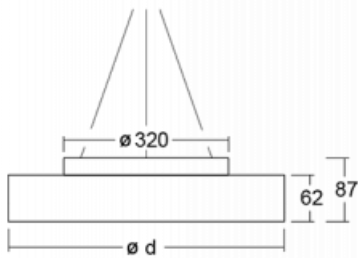
Code	Dimensions l/w/h (mm)	Power of the luminaire (W)	Luminous flux (lm)	Colour Temperature (K)	UGR
190-241K-10GGEI/840, W	∅ 400 × 62	27.4	3500	4000	< 21.6
190-240K-10GGEI/840, W	∅ 400 × 62	29.1	3500	4000	< 24
190-251K-10GGEI/840, W	∅ 500 × 62	35.3	4500	4000	< 20.9
190-250K-10GGEI/840, W	∅ 500 × 62	36.4	4500	4000	< 23.3
190-251I-10GGEI/840, W	∅ 500 × 62	44.5	4500	4000	< 16.6
190-250I-10GGEI/840, W	∅ 500 × 62	48.4	4500	4000	< 19.4
190-261K-10GGEI/840, W	∅ 600 × 62	39.9	5500	4000	< 21
190-260K-10GGEI/840, W	∅ 600 × 62	40.4	5500	4000	< 22.7
190-2A0K-10GEE/840, W	∅ 1150 × 87	94.9	13020	4000	< 20.8
190-2A1K-10GEE/840, W	∅ 1150 × 87	106	14390	4000	< 19.9
190-2A0K-10GGE/840, W	∅ 1150 × 87	127.5	17270	4000	< 22
190-2A1K-10GGE/840, W	∅ 1150 × 87	143.2	19290	4000	< 20.9
190-2A0K-10GHE/840, W	∅ 1150 × 87	145.3	19480	4000	< 22.5
190-2A1K-10GHE/840, W	∅ 1150 × 87	179.8	23900	4000	< 21.7

AnThese codes represent white luminaires with chromaticity temperature 4000K and opal diffuser.

Notes	Colour of the luminaires	● ● ●
	Colour Temperature	3000 K warm white 4000 K cool white 2700 K - 6500 K Tunable White
	Optic system	Microprisma Opal diffuser
	Connection of the luminaires	ON/OFF DALI ON/OFF + 1h emergency Other type of dimming ON/OFF + 3h emergency DALI DT8 DALI + bluetooth ON/OFF multiwatt
	Ra	80 90

For pendant assembly, you must order a pendant set containing cables and a ceiling cup.

Rundo



Assembly



Light distribution




Energy class

energy_class_g

Marks

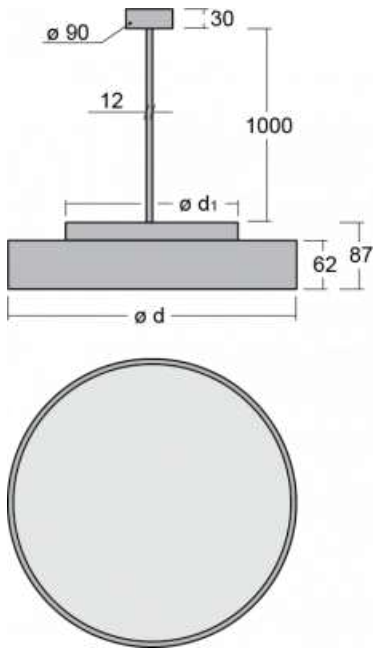
Code	Dimensions l/w/h (mm)	Power of the luminaire (W)	Luminous flux (lm)	Colour Temperature (K)	UGR
190-241K-10GGEI/840, W + 00-00334, W	∅ 400 × 62	27.4	3500	4000	< 21.6
190-240K-10GGEI/840, W + 00-00334, W	∅ 400 × 62	29.1	3500	4000	< 24
190-261K-10GGEI/840, W + 00-00334, W	∅ 600 × 62	39.9	5500	4000	< 21
190-260K-10GGEI/840, W + 00-00334, W	∅ 600 × 62	40.4	5500	4000	< 22.7
190-2A0K-10GEE/840, W + 00-00374, W	∅ 1150 × 87	94.9	13020	4000	< 20.8
190-2A1K-10GEE/840, W + 00-00374, W	∅ 1150 × 87	106	14390	4000	< 19.9
190-2A0K-10GGE/840, W + 00-00374, W	∅ 1150 × 87	127.5	17270	4000	< 22
190-2A1K-10GGE/840, W + 00-00374, W	∅ 1150 × 87	143.2	19290	4000	< 20.9
190-2A0K-10GHE/840, W + 00-00374, W	∅ 1150 × 87	145.3	19480	4000	< 22.5
190-2A1K-10GHE/840, W + 00-00374, W	∅ 1150 × 87	179.8	23900	4000	< 21.7

AnThese codes represent white luminaires with chromaticity temperature 4000K and opal diffuser.

Notes	Colour of the luminaires	
	Colour Temperature	3000 K warm white 4000 K cool white
	Optic system	Microprisma Opal diffuser
	Connection of the luminaires	ON/OFF DALI ON/OFF + 1h emergency ON/OFF + 3h emergency ON/OFF multiwatt
	Ra	80

Luminaires come complete with all necessary accessories.

Rundo



Assembly



Light distribution



Energy class

energy_class_g

Marks

Code	Dimensions l/w/h (mm)	Power of the luminaire (W)	Luminous flux (lm)	Colour Temperature (K)	UGR
190-241K-10GGEI/840, W + 00-00384-1000/RUN, W	∅ 400 × 62	27.4	3500	4000	< 21.6
190-240K-10GGEI/840, W + 00-00384-1000/RUN, W	∅ 400 × 62	29.1	3500	4000	< 24
190-241I-10GGEI/840, W + 00-00384-1000/RUN, W	∅ 400 × 62	32.8	3500	4000	< 16.7
190-240I-10GGEI/840, W + 00-00384-1000/RUN, W	∅ 400 × 62	37.8	3500	4000	< 20.1
190-251K-10GGEI/840, W + 00-00384-1000/RUN, W	∅ 500 × 62	35.3	4500	4000	< 20.9
190-250K-10GGEI/840, W + 00-00384-1000/RUN, W	∅ 500 × 62	36.4	4500	4000	< 23.3
190-251I-10GGEI/840, W + 00-00384-1000/RUN, W	∅ 500 × 62	44.5	4500	4000	< 16.6
190-250I-10GGEI/840, W + 00-00384-1000/RUN, W	∅ 500 × 62	48.4	4500	4000	< 19.4
190-261K-10GGEI/840, W + 00-00384-1000/RUN, W	∅ 600 × 62	39.9	5500	4000	< 21
190-260K-10GGEI/840, W + 00-00384-1000/RUN, W	∅ 600 × 62	40.4	5500	4000	< 22.7
190-261I-10GGEI/840, W + 00-00384-1000/RUN, W	∅ 600 × 62	51.4	5500	4000	< 17.1
190-260I-10GGEI/840, W + 00-00384-1000/RUN, W	∅ 600 × 62	54.7	5500	4000	< 18.8
190-2A0K-10GEE/840, W + 00-00384-1000/RUN, W	∅ 1150 × 87	94.9	13020	4000	< 20.8
190-2A1K-10GEE/840, W + 00-00384-1000/RUN, W	∅ 1150 × 87	106	14390	4000	< 19.9
190-2A0K-10GGE/840, W + 00-00384-1000/RUN, W	∅ 1150 × 87	127.5	17270	4000	< 22
190-2A1K-10GGE/840, W + 00-00384-1000/RUN, W	∅ 1150 × 87	143.2	19290	4000	< 20.9
190-2A0K-10GHE/840, W + 00-00384-1000/RUN, W	∅ 1150 × 87	145.3	19480	4000	< 22.5
190-2A1K-10GHE/840, W + 00-00384-1000/RUN, W	∅ 1150 × 87	179.8	23900	4000	< 21.7

AnThese codes represent white luminaires with chromaticity temperature 4000K and opal diffuser.

Notes	Colour of the luminaires	● ● ●
	Colour Temperature	3000 K warm white 4000 K cool white
	Optic system	Microprisma Opal diffuser
	Connection of the luminaires	ON/OFF DALI ON/OFF + 1h emergency ON/OFF + 3h emergency ON/OFF multiwatt
	Ra	80

Luminaires come complete with all necessary accessories.

Accessories



Type of installation	Suspended
Light distribution	Direct, Direct-indirect
Colour of the luminaires	Black, Silver, White
Colour Temperature	3000 K warm white, 4000 K cool white
Material	Aluminium
Light source	LED MODUL
MacAdam Light source	2
Connection of the luminaires	ON/OFF DALI ON/OFF + 1h emergency ON/OFF + 3h emergency ON/OFF multiwatt
Lifetime	L80/B20, L80/B10, L90/B50 50 000 hours
Warranty	60 months

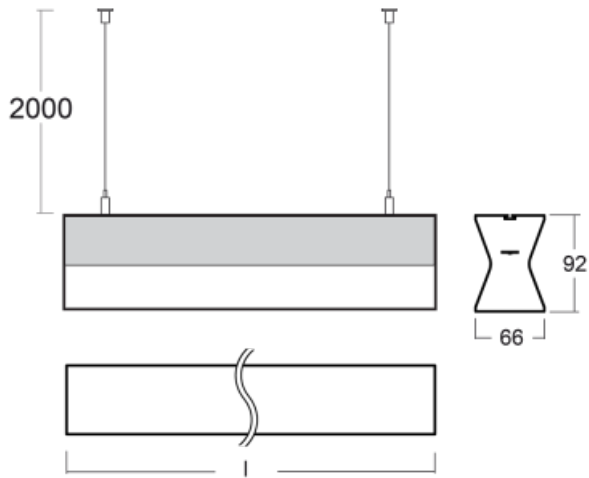
Family

Sant

The Dutch designer Rob van Beek imbued this LED linear luminaire with an opal diffuser with a universal visage. In the Czech Republic, Sant was specially made for LED sources and Human Centric Lighting technology. In practice, it looks like the light changes intensity and color according to biological rhythms. People thus feel natural in closed spaces, because the lighting simulates daylight. If you are looking for individual linear lights for an office, school or hospital, you've just found it.

Luminaire family variants Sant



Sant

Assembly

Light distribution

Energy class

energy_class_g

Marks

Code	Dimensions l/w/h (mm)	Power of the luminaire (W)	Luminous flux (lm)	Colour Temperature (K)	UGR
132-500K-20GEE/840, W	1128 × 66 × 92	18.8	2190	4000	< 22
132-500K-20GGE/840, W	1128 × 66 × 92	32.4	3550	4000	< 23.6
132-500K-25GEE/840, W	1408 × 66 × 92	23.5	2730	4000	< 22
132-500K-25GGE/840, W	1408 × 66 × 92	40.5	4430	4000	< 23.6

AnThese codes represent white luminaires with chromaticity temperature 4000K and opal diffuser.

Notes	Colour of the luminaires	● ● ●
	Colour Temperature	3000 K warm white 4000 K cool white 2700 K - 6500 K Tunable White
	Optic system	Opal diffuser
	Connection of the luminaires	ON/OFF DALI ON/OFF + 1h emergency Other type of dimming ON/OFF + 3h emergency DALI DT8
	Ra	80

Luminaires come complete with all necessary accessories.

Accessories



Type of installation	Suspended
Light distribution	Direct-indirect
Colour of the luminaires	Black, Silver, White
Colour Temperature	3000 K warm white, 4000 K cool white, 2700 K - 6500 K Tunable White
Material	Aluminium
Light source	LED MODUL
LED type	Tunable White
MacAdam Light source	3
Connection of the luminaires	ON/OFF DALI ON/OFF + 1h emergency Other type of dimming ON/OFF + 3h emergency DALI DT8
Lifetime	L80/B20 50 000 hours
Warranty	60 months

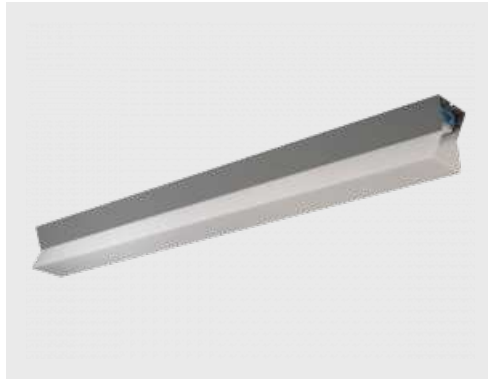
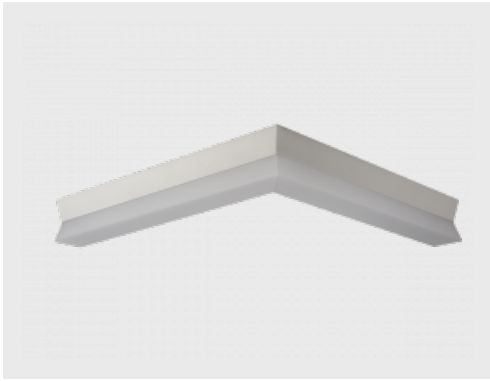
Family

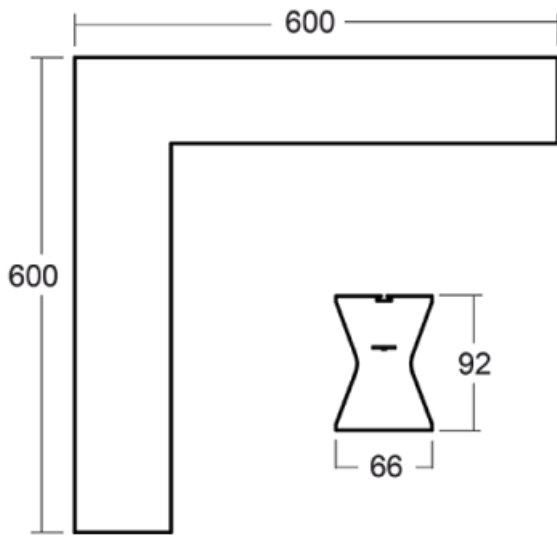
Sant-S



The Dutch designer Rob van Beek gave this linear luminaire with an opal diffuser a world-class look. In the Czech Republic, Sant-S has specially been made for LED sources and Human Centric Lighting technology. This means that the light changes its intensity and colour temperature according to circadian rhythms. People thus feel natural in a closed space because the lighting simulates daylight. If you are looking for system linear luminaires for an office, school or a hospital, you have just found them. The attractive design of the luminaire has been complemented with high efficiency of as much as 150 lm/W and low power consumption due to dimmability. The direct-indirect light shines pleasantly, increases the brightness of the background and thus improves visual comfort.

Luminaire family variants Sant-S



Sant-S

Assembly

Light distribution

Energy class

energy_class_g

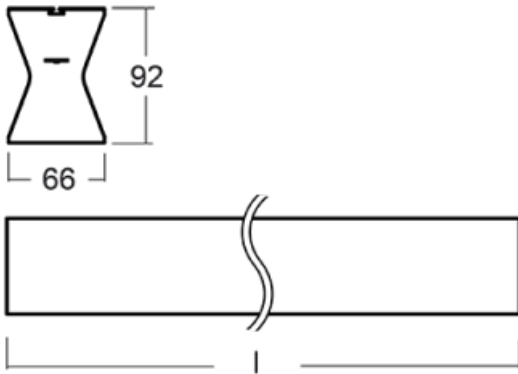
Marks

Code	Dimensions l/w/h (mm)	Power of the luminaire (W)	Luminous flux (lm)	Colour Temperature (K)	UGR
132S-520K-20GEE/840, W	603 × 603 × 92	18.8	2190	4000	< 22
132S-520K-20GGE/840, W	603 × 603 × 92	32.4	3550	4000	< 23.6

AnThese codes represent white luminaires with chromaticity temperature 4000K and opal diffuser.

Notes	Colour of the luminaires	● ● ●
	Colour Temperature	3000 K warm white 4000 K cool white 2700 K - 6500 K Tunable White
	Optic system	Opal diffuser
	Connection of the luminaires	ON/OFF DALI DALI DT8
	Ra	80 90

End caps, suspensions, supply cables, and ceiling cup for luminaires must be ordered separately. To connect into systems, please order the respective number of couplers.

Sant-S

Assembly

Light distribution


Energy class

energy_class_g

Marks

Code	Dimensions l/w/h (mm)	Power of the luminaire (W)	Luminous flux (lm)	Colour Temperature (K)	UGR
132S-500K-10GEE/840, W	562 × 66 × 92	9.4	1095	4000	< 21.9
132S-500K-10GGE/840, W	562 × 66 × 92	16.2	1770	4000	< 23.6
132S-500K-15GEE/840, W	842 × 66 × 92	14.1	1640	4000	< 21.9
132S-500K-15GGE/840, W	842 × 66 × 92	24.3	2660	4000	< 23.6
132S-500K-20GEE/840, W	1122 × 66 × 92	18.8	2190	4000	< 22
132S-500K-20GGE/840, W	1122 × 66 × 92	32.4	3550	4000	< 23.6
132S-500K-25GEE/840, W	1402 × 66 × 92	23.5	2730	4000	< 22
132S-500K-25GGE/840, W	1402 × 66 × 92	40.5	4430	4000	< 23.6
132S-500K-30GEE/840, W	1682 × 66 × 92	28.2	3280	4000	< 22
132S-500K-30GGE/840, W	1682 × 66 × 92	48.6	5320	4000	< 23.6
132S-500K-35GEE/840, W	1962 × 66 × 92	32.9	3830	4000	< 22
132S-500K-35GGE/840, W	1962 × 66 × 92	56.7	6210	4000	< 23.6
132S-500K-40GEE/840, W	2242 × 66 × 92	37.6	4380	4000	< 22
132S-500K-40GGE/840, W	2242 × 66 × 92	64.8	7100	4000	< 23.7

AnThese codes represent white luminaires with chromaticity temperature 4000K and opal diffuser.

Notes	Colour of the luminaires	
	Colour Temperature	3000 K warm white 4000 K cool white 2700 K - 6500 K Tunable White
	Optic system	Opal diffuser
	Connection of the luminaires	ON/OFF DALI ON/OFF + 1h emergency ON/OFF + 3h emergency DALI DT8
	Ra	80 90

End caps, suspensions, supply cables, and ceiling cup for luminaires must be ordered separately. To connect into systems, please order the respective number of couplers.

Accessories


Code	Description
00-00300, N	wire suspension 2000mm
00-00301, N	wire suspension 4000mm
00-00302, N	wire suspension 6000mm



Code	Description
00-00350, K	cable 3x0,75 1000mm
00-00352, K	cable 3x0,75 2000mm
00-00354, K	cable 5x0,75 1000mm
00-00355, K	cable 5x0,75 2000mm



Code	Description
00-00370, W	ceiling cup 80x80x32mm

Notes

 Accessories colour


Code	Description
00-00600, F	ceiling fastening for luminaires 132-5xxK, 04-2000x, 05-2000x, 09-200x - 1 piece



Code	Description
00-51300, W	set for suspension into 3-phase track, non-dimmable luminaires

Notes

 Accessories colour



Code	Description
00-51301, W	set for suspension into 3-phase track, dimmable luminaires

Notes Accessories colour



Code	Description
132-50031, W	pendant profile 1000 mm

Notes Accessories colour



Code	Description
132-50100, W	end cap

Notes Accessories colour



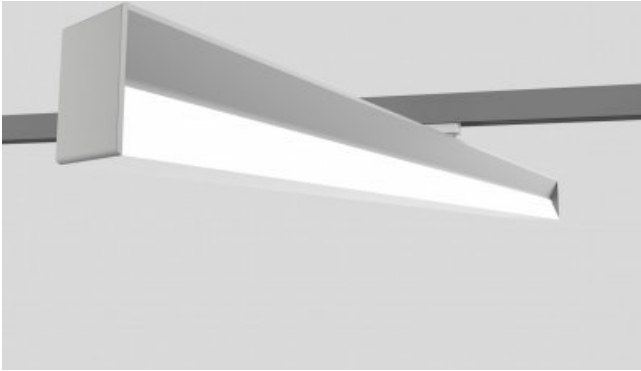
Code	Description
132-50200, F	straight connector



Code	Description
132-50201, F	straight connector (for dimmable lum.)



Code	Description
132-51100, K	diffuser 2295 mm



Type of installation	Surface, Suspended, 3 circuit track
Light distribution	Direct-indirect
Colour of the luminaires	Black, Silver, White
Colour Temperature	3000 K warm white, 4000 K cool white, 2700 K - 6500 K Tunable White
Material	Aluminium
Light source	LED MODUL
MacAdam Light source	3
Connection of the luminaires	ON/OFF DALI ON/OFF + 1h emergency ON/OFF + 3h emergency DALI DT8
Lifetime	L80/B20 50 000 hours
Warranty	60 months

Family

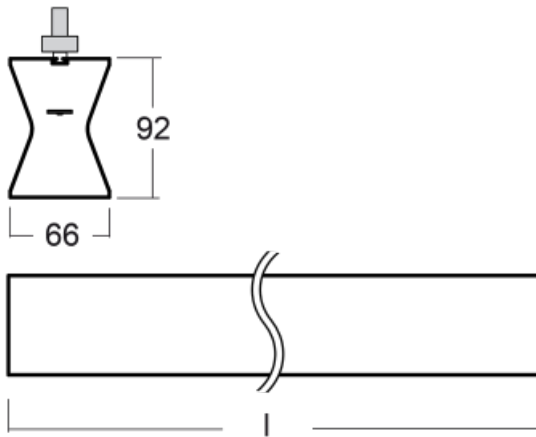
Sant-T



The Dutch designer Rob van Beek imbued this LED linear luminaire with an opal diffuser with a universal visage. In the Czech Republic, Sant-T was specially made for LED sources and Human Centric Lighting technology. Sant-T is especially recommended as a complementary lighting for commercial spaces.

Luminaire family variants Sant-T



Sant-T

Assembly

Light distribution


Energy class

A++, A+, A

Marks

Code	Dimensions l/w/h (mm)	Power of the luminaire (W)	Luminous flux (lm)	Colour Temperature (K)	UGR
132-600K-20GEE/840, W	1130 × 66 × 92	21	2120	4000	< 21.8
132-600K-20GGE/840, W	1130 × 66 × 92	34.9	3560	4000	< 23.6
132-600K-25GEE/840, W	1410 × 66 × 92	24	2760	4000	< 22
132-600K-25GGE/840, W	1410 × 66 × 92	39.6	4120	4000	< 23.4

AnThese codes represent white luminaires with chromaticity temperature 4000K and opal diffuser.

Notes	Colour of the luminaires	
	Colour Temperature	3000 K warm white 4000 K cool white
	Optic system	Opal diffuser
	Connection of the luminaires	ON/OFF DALI
	Ra	80

End caps, suspensions, supply cables, and ceiling cup for luminaires must be ordered separately. To connect into systems, please order the respective number of couplers.

Accessories



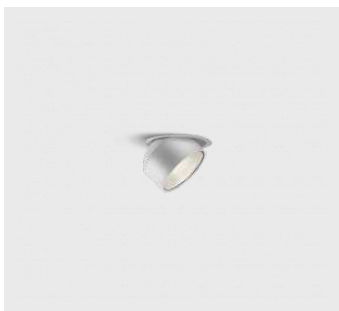
Type of installation	3 circuit track
Light distribution	Direct-indirect
Colour of the luminaires	Black, Silver, White
Colour Temperature	3000 K warm white, 4000 K cool white
Material	Aluminium
Light source	LED MODUL
MacAdam Light source	3
Connection of the luminaires	ON/OFF DALI
Lifetime	L80/B20 50 000 hours
Warranty	60 months

Family

Shift

Designer Kryštof Nosál has created a luminaire with unrivalled variability. In addition, the Shift family of single luminaires allows for any method of installation. You can choose between a semi-recessed, surface and pendant version. The spot LED luminaire consists of 1, 2, 3 or 5 light sources, which can be moved along the axis of the luminaire body, tilted up to an angle of 45° and rotated up to 355°. The luminaire has 4 beam angles of 15°, 25°, 36°, 60°.

Luminaire family variants Shift



Shift
Assembly

Light distribution

Energy class

energy_class_e energy_class_g

Marks
Notes

Beam angle 18, 25, 32, 52

 Colour of the luminaires 

 Colour Temperature 3000 K warm white
4000 K cool white

 Connection of the luminaires ON/OFF
DALI
ON/OFF + 1h emergency
ON/OFF + 3h emergency
ON/OFF multiwatt

Ra 90

Shift
Assembly


Light distribution

Energy class

energy_class_d energy_class_e

Marks

Code	Dimensions l/w/h (mm)	Power of the luminaire (W)	Luminous flux (lm)	Colour Temperature (K)	UGR
26-200F-20GDE/940, W	420 × 85 × 92	18.6	1060	4000	< 14.7
26-200F-20GGE/940, W	420 × 85 × 92	34.6	1810	4000	< 16.6

Notes	Beam angle	18, 25, 32, 52
	Colour of the luminaires	
	Colour Temperature	3000 K warm white 4000 K cool white
	Optic system	Reflector
	Connection of the luminaires	ON/OFF DALI
	Ra	90

Shift

Assembly



Light distribution




Energy class

energy_class_d energy_class_e energy_class_g

Marks

Code	Dimensions l/w/h (mm)	Power of the luminaire (W)	Luminous flux (lm)	Colour Temperature (K)	UGR
26-500F-20GDE/940, W	420 × 85 × 92	18.6	1060	4000	< 14.7
26-500F-20GGE/940, W	420 × 85 × 92	34.6	1810	4000	< 16.6

Notes	Beam angle	18, 25, 32, 52
	Colour of the luminaires	
	Colour Temperature	3000 K warm white 4000 K cool white
	Optic system	Reflector
	Connection of the luminaires	ON/OFF DALI
	Ra	90

Shift
Assembly


Light distribution

Energy class

energy_class_d energy_class_e

Marks

Code	Dimensions l/w/h (mm)	Power of the luminaire (W)	Luminous flux (lm)	Colour Temperature (K)	UGR
26-200F-30GDE/940, W	720 × 85 × 92	27.9	1060	4000	< 14.7
26-200F-30GGE/940, W	720 × 85 × 92	51.9	1810	4000	< 16.6

Notes	Beam angle	18, 25, 32, 52
	Colour of the luminaires	
	Colour Temperature	3000 K warm white 4000 K cool white
	Optic system	Reflector
	Connection of the luminaires	ON/OFF DALI
	Ra	90

Shift
Assembly


Light distribution

Energy class

energy_class_d energy_class_e energy_class_g

Marks

Code	Dimensions l/w/h (mm)	Power of the luminaire (W)	Luminous flux (lm)	Colour Temperature (K)	UGR
26-500F-30GDE/940, W	720 × 85 × 92	27.9	1060	4000	< 14.7
26-500F-30GGE/940, W	720 × 85 × 92	51.9	1810	4000	< 16.6

Notes	Beam angle	18, 25, 32, 52
	Colour of the luminaires	
	Colour Temperature	3000 K warm white 4000 K cool white
	Optic system	Reflector
	Connection of the luminaires	ON/OFF DALI
	Ra	90

Shift

Assembly



Light distribution




Energy class

energy_class_d energy_class_e

Marks

Code	Dimensions l/w/h (mm)	Power of the luminaire (W)	Luminous flux (lm)	Colour Temperature (K)	UGR
26-200F-50GDE/940, W	1020 × 85 × 92	46.5	1060	4000	< 14.7
26-200F-50GGE/940, W	1020 × 85 × 92	86.5	1810	4000	< 16.6

Notes	Beam angle	18, 25, 32, 52
	Colour of the luminaires	
	Colour Temperature	3000 K warm white 4000 K cool white
	Optic system	Reflector
	Connection of the luminaires	ON/OFF DALI
	Ra	90

Shift

Assembly



Light distribution




Energy class

energy_class_d energy_class_e energy_class_g

Marks

Code	Dimensions l/w/h (mm)	Power of the luminaire (W)	Luminous flux (lm)	Colour Temperature (K)	UGR
26-500F-50GDE/940, W	1020 × 85 × 92	46.5	1060	4000	< 14.7
26-500F-50GGE/940, W	1020 × 85 × 92	86.5	1810	4000	< 16.6

Notes	Beam angle	18, 25, 32, 52
	Colour of the luminaires	
	Colour Temperature	3000 K warm white 4000 K cool white
	Optic system	Reflector
	Connection of the luminaires	ON/OFF DALI
	Ra	90

Accessories



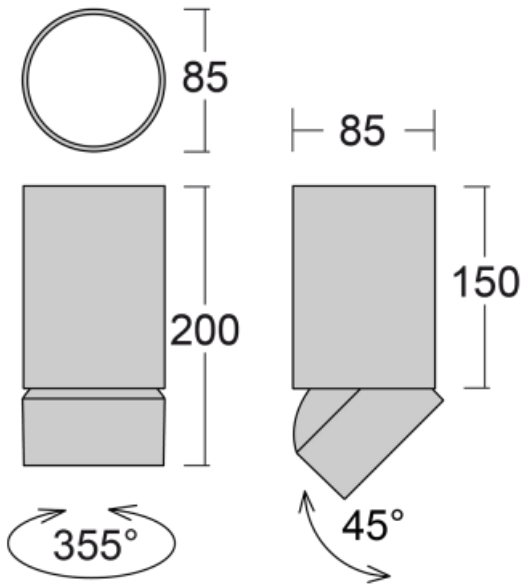
Type of installation	Suspended
Light distribution	Direct
Colour of the luminaires	Black, Silver, White
Colour Temperature	3000 K warm white, 4000 K cool white
Material	Aluminium
Light source	LED MODUL
MacAdam Light source	3
Connection of the luminaires	ON/OFF DALI
Lifetime	L80/B20 50 000 hours
Warranty	60 months

Family

Shift-C

Luminaire family variants Shift-C



Shift-C

Assembly

Light distribution


Energy class

energy_class_d energy_class_e

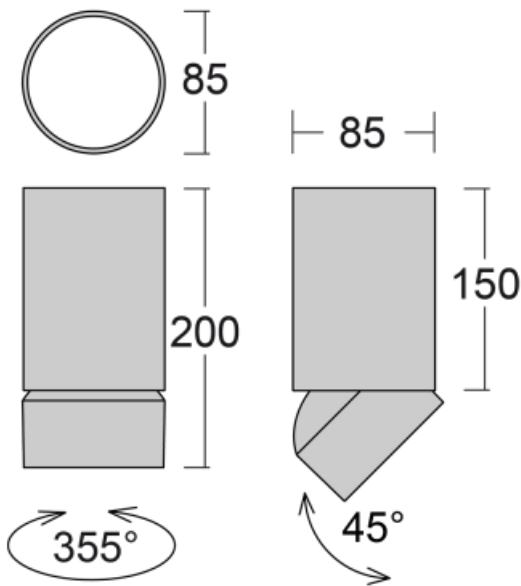
Marks

Code	Dimensions l/w/h (mm)	Power of the luminaire (W)	Luminous flux (lm)	Colour Temperature (K)	UGR
26-200F-10GDE/940, W	ø 85 × 200	9.5	1060	4000	-
26-200F-10GGE/940, W	ø 85 × 200	17.3	1810	4000	-

The indicated codes stand for a white luminaire with colour temperature of 4000K and with a medium-wide beam angle.

Notes	Beam angle	18, 32, 52
	Colour of the luminaires	
	Colour Temperature	3000 K warm white 4000 K cool white
	Optic system	Reflector
	Connection of the luminaires	ON/OFF DALI
	Ra	90

Luminaires come complete with all necessary accessories.

Shift-C

Assembly

Light distribution

Energy class

energy_class_d energy_class_e

Marks

Code	Dimensions l/w/h (mm)	Power of the luminaire (W)	Luminous flux (lm)	Colour Temperature (K)	UGR
26-500F-10GDE/940, W	ø 85 × 200	9.5	1060	4000	-
26-500F-10GGE/940, W	ø 85 × 200	17.3	1810	4000	-

The indicated codes stand for a white luminaire with colour temperature of 4000K and with a medium-wide beam angle.

Notes	Beam angle	18, 25, 32, 52
	Colour of the luminaires	● ● ●
	Colour Temperature	3000 K warm white 4000 K cool white
	Optic system	Reflector
	Connection of the luminaires	ON/OFF DALI
	Ra	90

Luminaires come complete with all necessary accessories.

Accessories



Type of installation	Suspended
Light distribution	Direct
Colour of the luminaires	Black, Silver, White
Colour Temperature	3000 K warm white, 4000 K cool white
Material	Aluminium
Light source	LED MODUL
MacAdam Light source	3
Connection of the luminaires	ON/OFF DALI
Lifetime	L80/B20 50 000 hours
Warranty	60 months

Family

Sineli

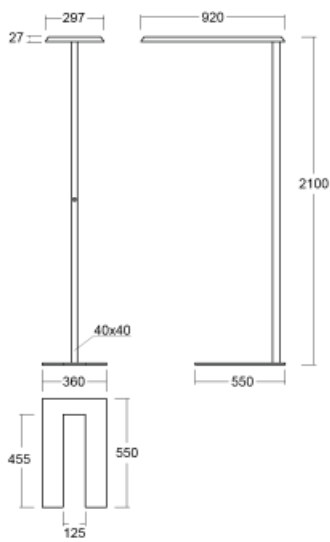
Ordinary free standing luminaires have long been out of the game. We have designed and developed an ideal designer luminaire of the Sineli family, which will provide you with comfort at work and will improve your concentration. The Sineli luminaires are designed for both table mounting and free standing, so you can move them freely at any time, thus adapting the arrangement of the items in the room according to your needs. Sturdy construction and weight prevent accidental tipping over and ensure reliable stability. The shape of Sineli resembles a spaceship arriving from a distant galaxy, which can make your office, meeting room or private apartment look more impressive.

Luminaire family variants Sineli



Sineli
Assembly
Light distribution
Energy class
Marks

Notes Luminaires come complete with all necessary accessories.

Sineli

Assembly
Light distribution


Energy class
Marks

energy_class_g

Code	Dimensions l/w/h (mm)	Power of the luminaire (W)	Luminous flux (lm)	Colour Temperature (K)	UGR
230-731I-15GGE/840, W	920 × 360 × 2100	48.8	7000	4000	< 16.3
230-781I-15GGE/840, W	920 × 360 × 2100	48.8	7000	4000	< 16.3
230-731I-15GHE/840, W	920 × 360 × 2100	65.3	9130	4000	< 17.2
230-781I-15GHE/840, W	920 × 360 × 2100	65.3	9130	4000	< 17.2

AnThese codes represent white luminaires with chromaticity temperature 4000K and plastic louvre.

Notes

Colour of the luminaires 

Colour Temperature 3000 K warm white
4000 K cool white

Optic system Microprisma

Connection of the luminaires ON/OFF
DALI + sensor
Other type of dimming

Ra 80

Luminaires come complete with all necessary accessories.

Accessories



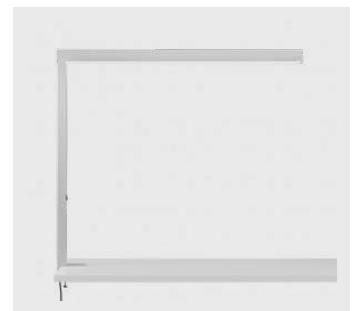
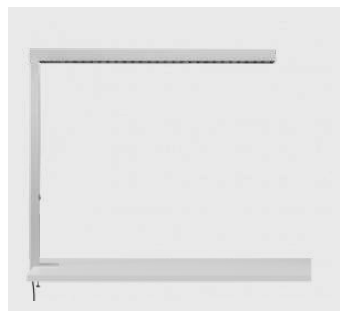
Type of installation	Free-standing
Light distribution	Direct-indirect
Colour of the luminaires	Black, Silver, White
Colour Temperature	3000 K warm white, 4000 K cool white
Material	Aluminium
Light source	LED MODUL
MacAdam Light source	3
Connection of the luminaires	ON/OFF DALI + sensor Other type of dimming
Lifetime	L80/B20 50 000 hours
Warranty	60 months

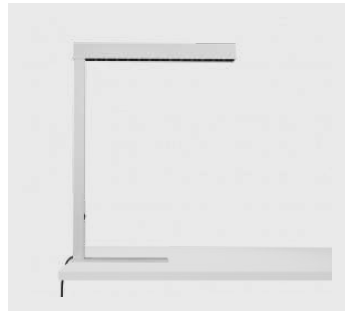
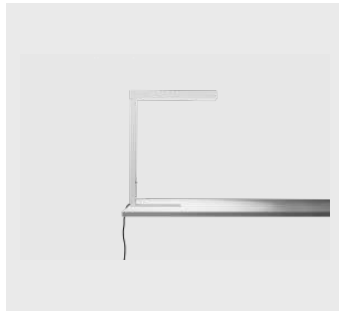
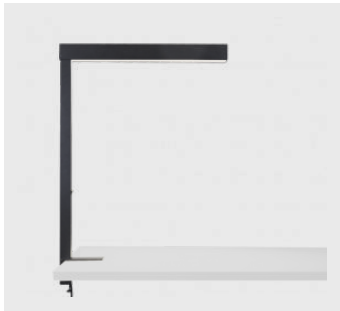
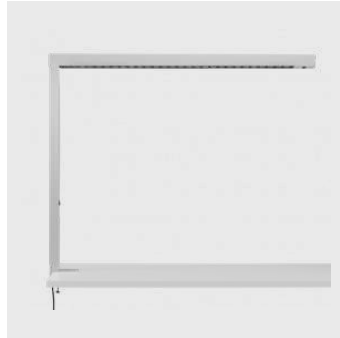
Family

Stan

The Stan luminaire with direct and direct-indirect distribution of light has been designed for comfortable and efficient work. It excels not only in its technical parameters, but also the narrow profile of the head itself, thanks to which the luminaire looks decent, professional and can easily blend in with the surroundings. The luminaire is fitted with an optical element consisting of a combination of optical lenses and a plastic parabolic louver, thanks to which the optical materials are not visible and therefore the luminaire does not dazzle. The louver comes in both the basic matt black and matt white colours. The luminaires of the Stan family are designed for both table mounting and free standing, so you can move them freely at any time, thus adapting the arrangement of the items in the room according to your needs.

Luminaire family variants Stan





Stan
Assembly

Light distribution


Energy class

energy_class_g

Marks

Code	Dimensions l/w/h (mm)	Power of the luminaire (W)	Luminous flux (lm)	Colour Temperature (K)	UGR
245-731Z-20GGE/840, W	1185 × 47 × 2130	28	3340	4000	< 13
245-781Z-20GGE/840, W	1185 × 47 × 2130	28	3340	4000	< 13
245-781Z-20GHE/840, W	1185 × 47 × 2130	43.7	5100	4000	< 14.5
245-731Z-20GHE/840, W	1185 × 47 × 2130	45.2	5100	4000	< 14.5

AnThese codes represent white luminaires with chromaticity temperature 4000K and plastic louvre.

Notes	Colour of the luminaires	
	Colour Temperature	3000 K warm white 4000 K cool white
	Optic system	Plastic louvre low UGR
	Connection of the luminaires	ON/OFF Other type of dimming
	Ra	80

Luminaires come complete with all necessary accessories.

Stan
Assembly

Light distribution


Energy class

energy_class_g

Marks

Code	Dimensions l/w/h (mm)	Power of the luminaire (W)	Luminous flux (lm)	Colour Temperature (K)	UGR
245-831Z-20GGE/840, W	1185 × 47 × 1380	28	3340	4000	< 13
245-881Z-20GGE/840, W	1185 × 47 × 1380	28	3340	4000	< 13
245-831Z-20GHE/840, W	1185 × 47 × 1380	43.7	5100	4000	< 14.5
245-881Z-20GHE/840, W	1185 × 47 × 1380	43.7	5100	4000	< 14.5

AnThese codes represent white luminaires with chromaticity temperature 4000K and plastic louvre.

Notes	Colour of the luminaires	
	Colour Temperature	3000 K warm white 4000 K cool white
	Optic system	Plastic louvre low UGR
	Connection of the luminaires	ON/OFF Other type of dimming
	Ra	80

Luminaires come complete with all necessary accessories.

Stan
Assembly

Light distribution


Energy class

energy_class_g

Marks

Code	Dimensions l/w/h (mm)	Power of the luminaire (W)	Luminous flux (lm)	Colour Temperature (K)	UGR
245-731I-20GGE/840, W	1185 × 47 × 2130	66	5500	4000	< 18.5
245-781I-20GGE/840, W	1185 × 47 × 2130	66	5500	4000	< 18.5

These codes represent white luminaires with chromaticity temperature 4000K and micro-prismatic optical system.

Notes	Colour of the luminaires	
	Colour Temperature	3000 K warm white 4000 K cool white
	Optic system	Microprisma
	Connection of the luminaires	ON/OFF Other type of dimming
	Ra	80

Luminaires come complete with all necessary accessories.

Stan
Assembly

Light distribution


Energy class

energy_class_g

Marks

Code	Dimensions l/w/h (mm)	Power of the luminaire (W)	Luminous flux (lm)	Colour Temperature (K)	UGR
245-831I-20GGE/840, W	1185 × 47 × 1380	66	5500	4000	< 18.5
245-881I-20GGE/840, W	1185 × 47 × 1380	66	5500	4000	< 18.5

These codes represent white luminaires with chromaticity temperature 4000K and micro-prismatic optical system.

Notes	Colour of the luminaires	
	Colour Temperature	3000 K warm white 4000 K cool white
	Optic system	Microprisma
	Connection of the luminaires	ON/OFF Other type of dimming
	Ra	80

Luminaires come complete with all necessary accessories.

Stan

Assembly




Light distribution



Energy class

energy_class_g

Marks

Notes	Colour of the luminaires	
	Colour Temperature	3000 K warm white 4000 K cool white
	Optic system	Plastic louvre low UGR
	Connection of the luminaires	DALI + sensor
	Ra	80

Luminaires come complete with all necessary accessories.

Stan
Assembly

Light distribution

Energy class

energy_class_g

Marks
Notes

Colour of the luminaires



Colour Temperature

 3000 K warm white
 4000 K cool white

Optic system

Plastic louvre low UGR

Connection of the luminaires

DALI + sensor

Ra

80

Luminaires come complete with all necessary accessories.


Stan
Assembly

Light distribution

Energy class

energy_class_g

Marks

Notes	Colour of the luminaires	
	Colour Temperature	3000 K warm white 4000 K cool white
	Optic system	Microprisma
	Connection of the luminaires	DALI + sensor
	Ra	80

Luminaires come complete with all necessary accessories.

Stan

Assembly




Light distribution



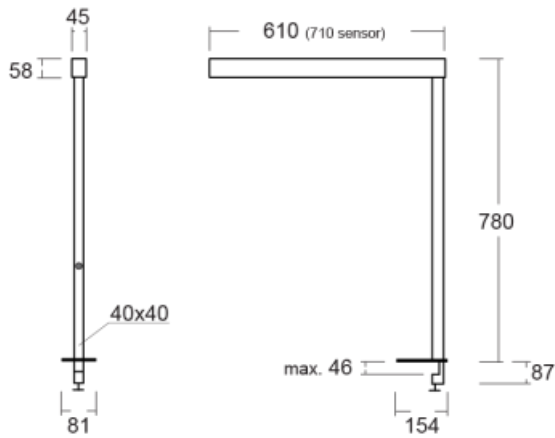
Energy class

energy_class_g

Marks

Notes	Colour of the luminaires	
	Colour Temperature	3000 K warm white 4000 K cool white
	Optic system	Microprisma
	Connection of the luminaires	DALI + sensor
	Ra	80

Luminaires come complete with all necessary accessories.

Stan

Assembly

Light distribution

Energy class

energy_class_g

Marks
Notes

Colour of the luminaires

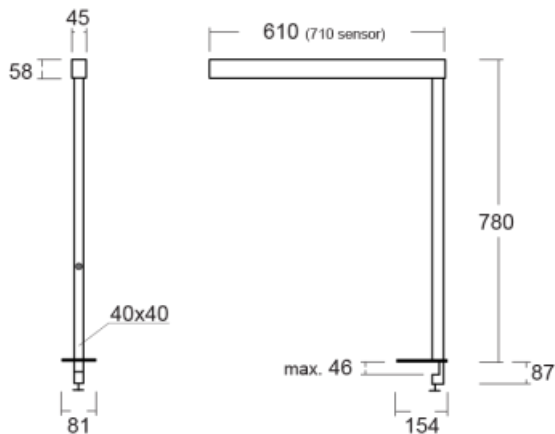

 Colour Temperature 3000 K warm white
 4000 K cool white

Optic system Microprisma

 Connection of the luminaires ON/OFF
 Other type of dimming

Ra 80

Luminaires come complete with all necessary accessories.

Stan

Assembly

Light distribution

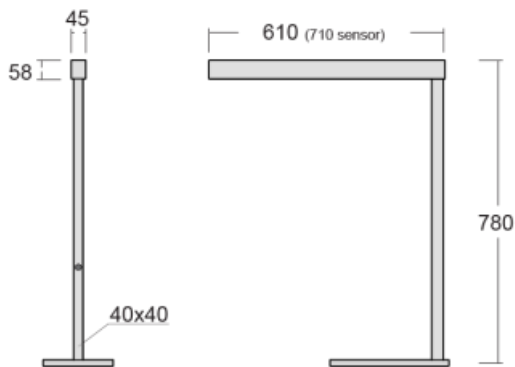
Energy class

energy_class_g

Marks

Notes	Colour of the luminaires	● ● ●
	Colour Temperature	3000 K warm white 4000 K cool white
	Optic system	Plastic louvre low UGR
	Connection of the luminaires	ON/OFF Other type of dimming
	Ra	80
	Luminaires come complete with all necessary accessories.	

Stan



Assembly



Energy class

energy_class_g

Light distribution



Marks

Notes	Colour of the luminaires	● ● ●
	Colour Temperature	3000 K warm white 4000 K cool white
	Optic system	Microprisma
	Connection of the luminaires	ON/OFF Other type of dimming
	Ra	80
	Luminaires come complete with all necessary accessories.	

Stan
Assembly

Light distribution

Energy class

energy_class_g

Marks
Notes

Colour of the luminaires



Colour Temperature

 3000 K warm white
 4000 K cool white

Optic system

Plastic louvre low UGR

Connection of the luminaires

 ON/OFF
 Other type of dimming

Ra

80

Luminaires come complete with all necessary accessories.

Accessories



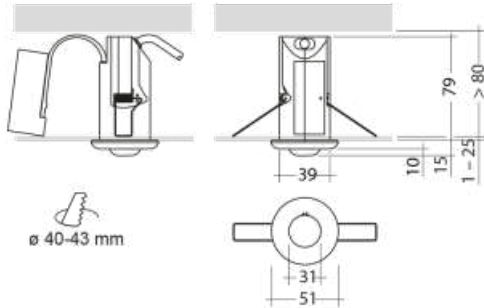
Type of installation	Table lamp
Light distribution	Direct, Direct-indirect
Colour of the luminaires	Black, Silver, White
Colour Temperature	3000 K warm white, 4000 K cool white
Material	Aluminium
Light source	LED MODUL
Connection of the luminaires	ON/OFF Other type of dimming
Lifetime	L80/B20 50 000 hours
Warranty	60 months

Family

Stret

Luminaire family variants Stret



Stret

Assembly

Light distribution


Energy class

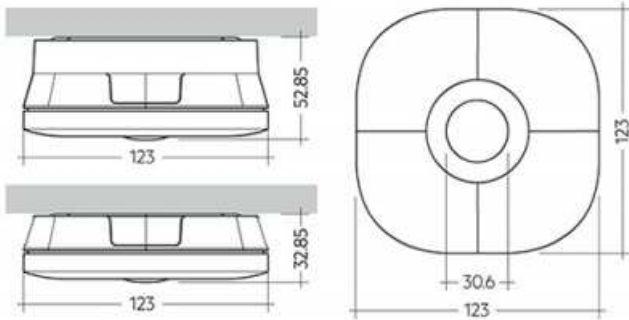
energy_class_g

Marks

Code	Dimensions l/w/h (mm)	Power of the luminaire (W)	Luminous flux (lm)	Colour Temperature (K)	UGR
990-000B-10GEM3/865, W	$\varnothing 51 \times 94$	1.5	115	6500	-
990-000B-10GGM3/865, W	$\varnothing 51 \times 94$	2.5	206	6500	-

AnThese codes represent white luminaires with chromaticity temperature 4000K and opal diffuser.

Notes	Colour of the luminaires	
	Colour Temperature	6500 K cool white
	Optic system	Clear cover
	Connection of the luminaires	ON/OFF + 3h emergency
	Ra	80

Stret

Assembly

Light distribution

Energy class

energy_class_g

Marks

Code	Dimensions l/w/h (mm)	Power of the luminaire (W)	Luminous flux (lm)	Colour Temperature (K)	UGR
990-200B-10GGM3/865, W	123 × 123 × 33	2.5	206	6500	-

AnThese codes represent white luminaires with chromaticity temperature 4000K and opal diffuser.

Notes	Colour of the luminaires	● ●
	Colour Temperature	6500 K cool white
	Optic system	Clear cover
	Connection of the luminaires	ON/OFF + 3h emergency
	Ra	80

Accessories



Type of installation	Surface
----------------------	---------

Light distribution	Direct
--------------------	--------

Family

Styrk

The focus on performance is ever greater. No wonder nowadays - that's why we come up with Styrk technical luminaires. They meet strict criteria and have a wide range of applications. They stand out with a luminous flux of 5000 lm/m and a specific luminous flux of 145 lm/w while meeting IP54. Equipped with opal, microprism or PMA, these pendant luminaires can also be easily connected via a connector system. In addition, they can withstand high ambient temperatures of up to 40°C. They are suitable for business centres, data centres and large production halls.

Luminaire family variants Styrk

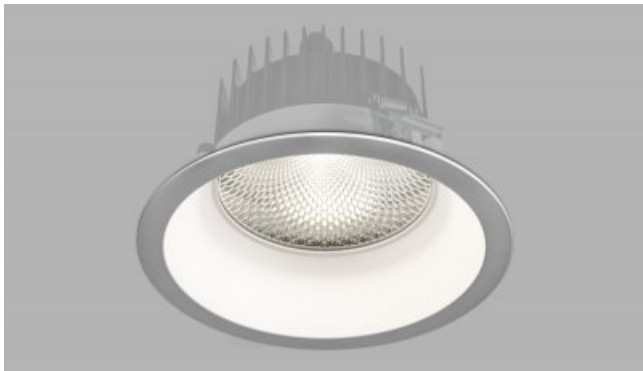


Styrk

Assembly**Light distribution****Energy class****Marks**

Notes

Accessories



Type of installation	Suspended
Light distribution	Direct
Colour of the luminaires	Black, White
Colour Temperature	6500 K cool white
Material	Plastic
MacAdam Light source	3
Connection of the luminaires	ON/OFF + 3h emergency
Lifetime	L90/B50 50 000 hours
Warranty	60 months

Family

Ture

It is a circular recessed luminaire of the downlight type with an excellent UGR index <math><19</math> up to 3000 lm, which means that the luminaire does not dazzle. The luminaire is suitable for offices, meeting rooms and, thanks to special sources, also for showrooms. RealWhite highlights the white, StrongColour highlights the selected colour, and RealColour emphasizes the colour of the object. With Tunable White you can set the colour temperature according to the time of day. With the help of these sources, the illuminated objects will look even more attractive. The IP54 class means high level of protection against the penetration of water and foreign matter. Thus, you can use this luminaire even in a demanding environment, such as a wellness centre. Its efficacy is up to 118 lm/W. Ture is available in three versions – a small luminaire with a diameter of 145 mm, a medium luminaire with a diameter of 185 mm and the largest luminaire with a diameter of 226 mm.

Luminaire family variants Ture



Ture
Assembly


Light distribution

Energy class
Marks

energy_class_d energy_class_g

Code	Dimensions l/w/h (mm)	Power of the luminaire (W)	Luminous flux (lm)	Colour Temperature (K)	UGR
58-001L-10GGV/840, W + 00-00153EI	∅ 145 × 80	18	2220	4000	< 17.2
58-001K-10GGV/840, W + 00-00153EI	∅ 145 × 80	18	2080	4000	< 19.6
56-001K-10GHV/840, W + 00-00153EI	∅ 185 × 100	24.5	2630	4000	< 18.3
56-001L-10GHV/840, W + 00-00153EI	∅ 185 × 100	24.5	2810	4000	< 13.3
57-001K-10GHV/840, W + 00-00153EI	∅ 226 × 110	24.5	2640	4000	< 18.1
57-001L-10GHV/840, W + 00-00153EI	∅ 226 × 110	24.5	2810	4000	< 12.8

The indicated codes stand for a white luminaire with colour temperature of 4000K.

Notes	Colour of the luminaires	
	Colour Temperature	3000 K warm white 4000 K cool white
	Optic system	Opal diffuser Plain aluminium reflector
	Connection of the luminaires	DALI ON/OFF + 1h emergency ON/OFF + 3h emergency ON/OFF multiwatt
	Ra	80

Luminaires come complete with all necessary accessories.

Ture
Assembly

Light distribution


Energy class

energy_class_d

Marks

Code	Dimensions l/w/h (mm)	Power of the luminaire (W)	Luminous flux (lm)	Colour Temperature (K)	UGR
58-001L-10GGV/840, W + 00-00151E	∅ 145 × 80	9.6	1310	4000	< 15.4
58-001L-10GGV/840, W + 00-00152E	∅ 145 × 80	18	2220	4000	< 17.2
56-001L-10GHV/840, W + 00-00151E	∅ 185 × 100	9.6	1310	4000	< 10.6
56-001L-10GHV/840, W + 00-00152E	∅ 185 × 100	18	2220	4000	< 12.5
56-001L-10GHV/840, W + 00-00153E	∅ 185 × 100	24.5	2810	4000	< 13.3
57-001L-10GHV/840, W + 00-00151E	∅ 226 × 110	9.6	1310	4000	< 10.2
57-001L-10GHV/840, W + 00-00152E	∅ 226 × 110	18	2220	4000	< 12
57-001L-10GHV/840, W + 00-00153E	∅ 226 × 110	24.5	2810	4000	< 12.8

The indicated codes stand for a white luminaire with colour temperature of 4000K.

Notes	Colour of the luminaires	
	Colour Temperature	3000 K warm white 4000 K cool white
	Optic system	Opal diffuser Plain aluminium reflector
	Connection of the luminaires	ON/OFF ON/OFF + 1h emergency ON/OFF + 3h emergency
	Ra	80

Luminaires come complete with all necessary accessories.

Ture
Assembly

Light distribution

Energy class

energy_class_g

Marks
Notes

 Colour of the
luminaires


Colour Temperature 4000 K cool white

Ra 0

Luminaires come complete with all necessary accessories.

Accessories



Type of installation	Recessed
Light distribution	Direct
Colour of the luminaires	White
Colour Temperature	4000 K cool white
Material	Aluminium
Light source	LED MODUL
Connection of the luminaires	ON/OFF ON/OFF + 1h emergency ON/OFF + 3h emergency
Lifetime	L80/B20 0 hours

Family

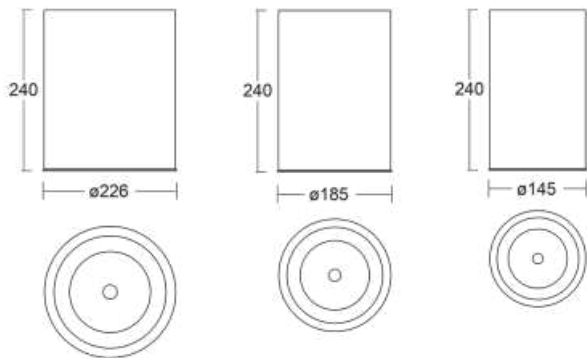
Ture-C

It is a cylindrical seated luminaire that has an excellent UGR<19, which means that the luminaire does not glare. The luminaire can be used in offices, meeting rooms and thanks to special sources also in showrooms. RealWhite accentuates the white, StrongColour accentuates the selected colour and RealColour accentuates the actual colour. With Tunable White you adjust the chromaticity temperature according to the time of day. With these sources, illuminated objects look even more appealing.

Luminaire family variants Ture-C



Ture-C



Assembly



Energy class

energy_class_d

Light distribution



Marks

Notes

Colour of the luminaires

Colour Temperature 3000 K warm white
4000 K cool white

Optic system Opal diffuser
Plain aluminium reflector

Connection of the luminaires ON/OFF
DALI
ON/OFF + 1h emergency
ON/OFF + 3h emergency

Ra 80

Accessories



Type of installation	Surface
Light distribution	Direct
Colour of the luminaires	Black, Silver, White
Colour Temperature	3000 K warm white, 4000 K cool white
Material	Aluminium
Light source	LED MODUL
MacAdam Light source	3
Connection of the luminaires	ON/OFF DALI ON/OFF + 1h emergency ON/OFF + 3h emergency
Lifetime	L80/B20 50 000 hours
Warranty	60 months

Family

Unda-S

Rob van Beek came up with the Unda-S designer light while sitting on the shore and gazing at the sea. The three-dimensional LED lighting was given the unique shape of a sea wave which we produced from bent aluminum sheet and a diffuser was added, enabling it to transmit and disperse light perfectly. You can use the luminaire separately or together. The creative concept of the Unda luminaire plays with freedom in design. A series of three-dimensional assemblies of circles, waves, and other shapes can be created from the bottom and top waves. The Unda livens up restaurants, bars, reception areas, as well as bank offices or living rooms.

Luminaire family variants Unda-S



Unda-S

Assembly



Light distribution




Energy class

energy_class_g

Marks

Code	Dimensions l/w/h (mm)	Power of the luminaire (W)	Luminous flux (lm)	Colour Temperature (K)	UGR
100S-511K-50GDTD/840, W	1345 × 406 × 144	75.5	5610	4000	< 25.7

AnThese codes represent white luminaires with chromaticity temperature 4000K and opal diffuser.

Notes	Colour of the luminaires	
	Colour Temperature	3000 K warm white 4000 K cool white
	Optic system	Opal diffuser
	Connection of the luminaires	Other type of dimming
	Ra	80

At least 1 upper and 1 lower wave is necessary for creating systems. For closed systems, please order the respective number of couplers. For systems with two ends, please order one pendant set.

Unda-S

Assembly



Light distribution




Energy class

energy_class_g

Marks

Code	Dimensions l/w/h (mm)	Power of the luminaire (W)	Luminous flux (lm)	Colour Temperature (K)	UGR
100S-501K-50GDTD/840, W	1345 × 406 × 144	75.5	5610	4000	< 25.7

AnThese codes represent white luminaires with chromaticity temperature 4000K and opal diffuser.

Notes	Colour of the luminaires	
	Colour Temperature	3000 K warm white 4000 K cool white
	Optic system	Opal diffuser
	Connection of the luminaires	Other type of dimming
	Ra	80

At least 1 upper and 1 lower wave is necessary for creating systems. For closed systems, please order the respective number of couplers. For systems with two ends, please order one pendant set.

Accessories



Type of installation	Suspended
Light distribution	Direct-indirect
Colour of the luminaires	Black, Silver, White
Colour Temperature	3000 K warm white, 4000 K cool white
Material	Aluminium
Light source	LED MODUL
MacAdam Light source	3
Connection of the luminaires	Other type of dimming
Lifetime	L80/B20 50 000 hours
Warranty	60 months

Family

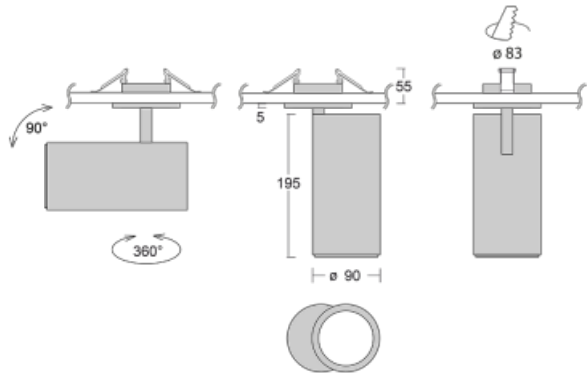
Vali

When you combine design with functionality, you get the Vali90 family of lighting. You can point this cylindrical luminaire with 4 angles of 21°, 28°, 40°, 63° at the required object as needed. Vali90 has a luminous efficacy of up to 90 lm / W and has a light source with a colour rendering of Ra>90, to provide the perfect illumination of an object. Vali90 luminaires in a black or white finish will serve you well in commercial, exhibition and demonstration spaces.

Luminaire family variants Vali



Vali



Assembly

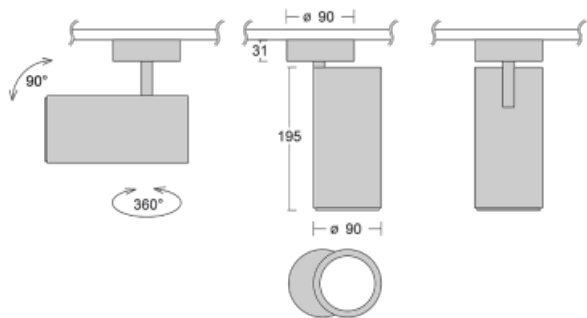
Light distribution

Energy class

Marks

Notes Luminaires come complete with all necessary accessories.

Vali



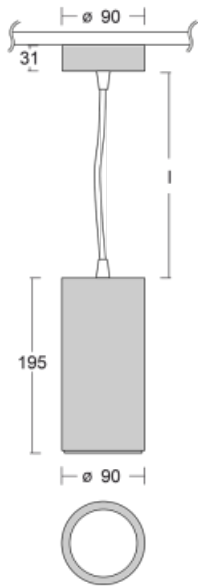
Assembly

Light distribution

Energy class

Marks

Notes Luminaires come complete with all necessary accessories.

Vali

Assembly

Light distribution


Energy class

energy_class_g

Marks

Code	Dimensions l/w/h (mm)	Power of the luminaire (W)	Luminous flux (lm)	Colour Temperature (K)	UGR
176-500U-10GGE/940, W	ø 90 × 195	20.4	1990	4000	< 17
176-500U-10GHE/940, W	ø 90 × 195	33	2960	4000	< 18.4

The indicated codes stand for a white luminaire with colour temperature of 4000K and with a medium-wide beam angle.

Notes	Beam angle	21, 28, 40, 63
	Colour of the luminaires	
	Colour Temperature	3000 K warm white 4000 K cool white
	Optic system	Reflector
	Connection of the luminaires	ON/OFF DALI
	Ra	90

Luminaires come complete with all necessary accessories.

Accessories



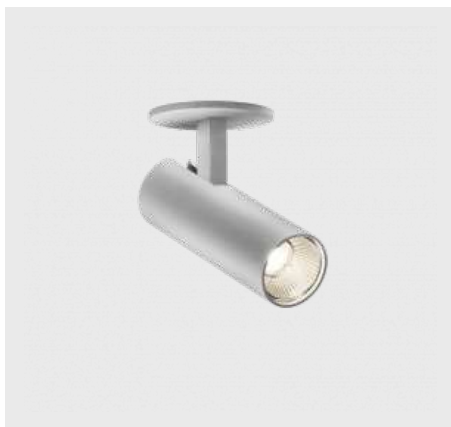
Type of installation	Suspended
Light distribution	Direct
Colour of the luminaires	White
Colour Temperature	3000 K warm white, 4000 K cool white
Material	Aluminium
Light source	LED MODUL
MacAdam Light source	3
Connection of the luminaires	ON/OFF DALI
Lifetime	L80/B20, L80/B10 50 000 hours
Warranty	60 months

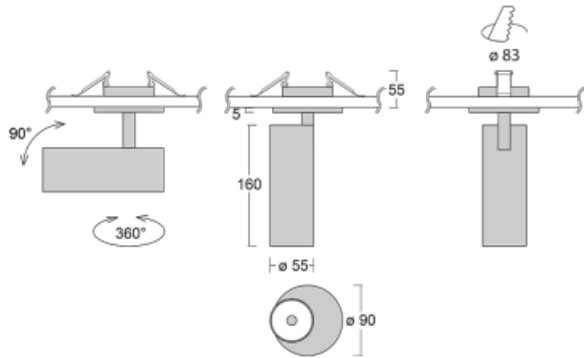
Family

Vali55

Its dimensions make the Vali55 luminaire the smallest cylindrical luminaire in our product range. The luminaires feature 4 types of reflectors with various angles of luminosity, thanks to which it also provides a large variability of light outputs. Vali55 has a very subtle minimalist shape, so it fits into a lot of interiors, where it always looks discreet and unobtrusive. The Luminaire comes in a surface, pendant or semi-recessed version, which greatly increases their versatility of use. All of this makes them suitable for commercial premises, bars or hotels or even residential buildings.

Luminaire family variants Vali55



Vali55

Assembly

Light distribution

Energy class

energy_class_d energy_class_e

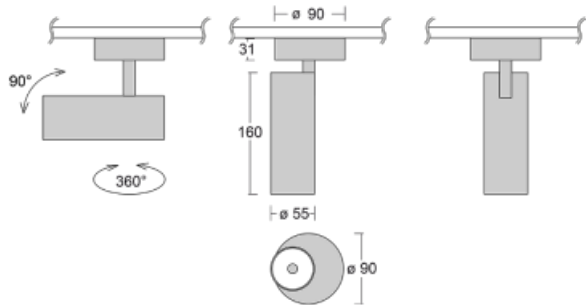
Marks

Code	Dimensions l/w/h (mm)	Power of the luminaire (W)	Luminous flux (lm)	Colour Temperature (K)	UGR
178-100F-10GDE/940, W	ø 55 × 160	13.6	1250	4000	-
178-100F-10GGE/940, W	ø 55 × 160	20	1750	4000	-

The indicated codes stand for a white luminaire with colour temperature of 4000K and with a medium-wide beam angle.

Notes	Beam angle	17, 27, 45, 68
	Colour of the luminaires	● ● ●
	Colour Temperature	3000 K warm white 4000 K cool white
	Optic system	Reflector
	Connection of the luminaires	ON/OFF DALI
	Ra	90

Luminaires come complete with all necessary accessories.

Vali55

Assembly

Light distribution

Energy class

energy_class_d energy_class_e energy_class_g

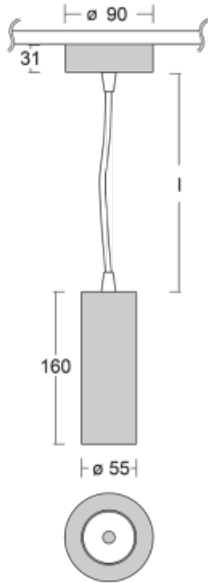
Marks

Code	Dimensions l/w/h (mm)	Power of the luminaire (W)	Luminous flux (lm)	Colour Temperature (K)	UGR
178-200F-10GDE/940, W	ø 55 × 160	13.6	1250	4000	-

The indicated codes stand for a white luminaire with colour temperature of 4000K and with a medium-wide beam angle.

Notes	Beam angle	17, 27, 45, 68
	Colour of the luminaires	● ● ●
	Colour Temperature	3000 K warm white 4000 K cool white
	Optic system	Reflector
	Connection of the luminaires	ON/OFF
	Ra	90

Luminaires come complete with all necessary accessories.

Vali55

Assembly

Light distribution

Energy class

energy_class_d energy_class_e energy_class_g

Marks

Code	Dimensions l/w/h (mm)	Power of the luminaire (W)	Luminous flux (lm)	Colour Temperature (K)	UGR
178-500F-10GDE/940, W	∅ 55 × 180	13.6	1250	4000	-

The indicated codes stand for a white luminaire with colour temperature of 4000K and with a medium-wide beam angle.

Notes	Beam angle	17, 27, 45, 68
	Colour of the luminaires	● ● ●
	Colour Temperature	3000 K warm white 4000 K cool white
	Optic system	Reflector
	Connection of the luminaires	ON/OFF
	Ra	90

Luminaires come complete with all necessary accessories.

Accessories



Type of installation	Suspended
Light distribution	Direct
Colour of the luminaires	Black, Silver, White
Colour Temperature	3000 K warm white, 4000 K cool white
Material	Aluminium
Light source	LED MODUL
MacAdam Light source	3
Connection of the luminaires	ON/OFF
Lifetime	L80/B20 50 000 hours
Warranty	60 months

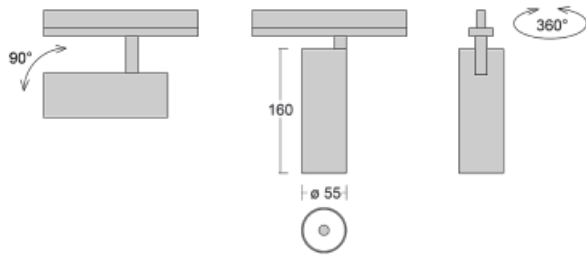
Family

Vali55-T

If you are looking for a really decent looking cylindrical track luminaire of small dimensions with a high quality aluminium construction and good light parameters, there is not much to think about – Vali55-T will be just for you. You will use it mainly to illuminate smaller sales areas such as showcases or a specific product. Vali55-T can also illuminate art objects and in some cases they can also be used in households. The luminaires have been fitted with adapters for the 3-phase Global Track from Nordic Aluminium.

Luminaire family variants Vali55-T



Vali55-T

Assembly

Light distribution

Energy class

energy_class_d energy_class_e

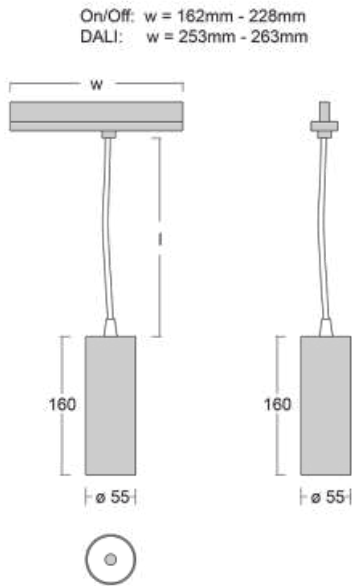
Marks

Code	Dimensions l/w/h (mm)	Power of the luminaire (W)	Luminous flux (lm)	Colour Temperature (K)	UGR
178-600U-10GDE/940, W	∅ 55 × 160	13.6	1250	4000	< 20.8
178-600W-10GDE/940, W	∅ 55 × 160	13.6	1250	4000	< 24
178-600S-10GDE/940, W	∅ 55 × 160	13.6	1250	4000	< 21
178-600F-10GDE/940, W	∅ 55 × 160	13.6	1250	4000	< 21.7
178-600F-10GGE/940, W	∅ 55 × 160	20	1750	4000	< 22.8
178-600U-10GGE/940, W	∅ 55 × 160	20	1750	4000	< 22.1
178-600W-10GGE/940, W	∅ 55 × 160	20	1750	4000	< 24.5
178-600S-10GGE/940, W	∅ 55 × 160	20	1750	4000	< 22.1

The indicated codes stand for a white luminaire with colour temperature of 4000K and with a medium-wide beam angle.

Notes	Beam angle	17, 27, 45, 68
	Colour of the luminaires	● ● ●
	Colour Temperature	3000 K warm white 4000 K cool white
	Optic system	Reflector
	Connection of the luminaires	ON/OFF DALI
	Ra	90

Track luminaires come complete with Global Track adapters from Nordic Aluminium.

Vali55-T

Assembly

Light distribution

Energy class


energy_class_d energy_class_e

Marks

Code	Dimensions l/w/h (mm)	Power of the luminaire (W)	Luminous flux (lm)	Colour Temperature (K)	UGR
178-605S-10GDE/940, W	ø 55 × 160	13.6	1250	4000	-
178-605U-10GDE/940, W	ø 55 × 160	13.6	1250	4000	-
178-605F-10GDE/940, W	ø 55 × 160	13.6	1250	4000	-
178-605W-10GDE/940, W	ø 55 × 160	13.6	1250	4000	-
178-605S-10GGE/940, W	ø 55 × 160	20	1750	4000	-
178-605U-10GGE/940, W	ø 55 × 160	20	1750	4000	-
178-605F-10GGE/940, W	ø 55 × 160	20	1750	4000	-
178-605W-10GGE/940, W	ø 55 × 160	20	1750	4000	-

The indicated codes stand for a white luminaire with colour temperature of 4000K and with a medium-wide beam angle.

Notes

Colour of the luminaires 

Colour Temperature 3000 K warm white
4000 K cool white

Optic system Reflector

Connection of the luminaires ON/OFF
DALI

Ra 90

For pendant assembly, you must order a pendant set containing cables and a ceiling cup.

Accessories



Type of installation	3 circuit track
Light distribution	Direct
Colour of the luminaires	Black, Silver, White
Colour Temperature	3000 K warm white, 4000 K cool white
Material	Aluminium
Light source	LED MODUL
MacAdam Light source	3
Connection of the luminaires	ON/OFF DALI
Lifetime	L80/B20 60 000 hours
Warranty	60 months

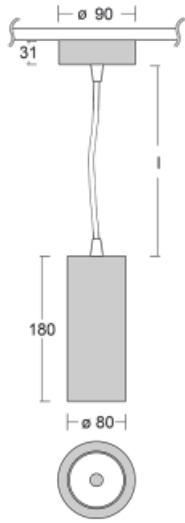
Family

Vali80

When we combine design with functionality, we get luminaires from the Vali80 family. These cylindrical luminaires come in pendant, surface and semi-recessed versions. You can use them to illuminate your household, business and social spaces or, for example, bars. You can choose from three basic colours – white, black and silver or pick a colour from the Halla RAL chart.

Luminaire family variants Vali80



Vali80

Assembly

Light distribution

Energy class

energy_class_d energy_class_e energy_class_g

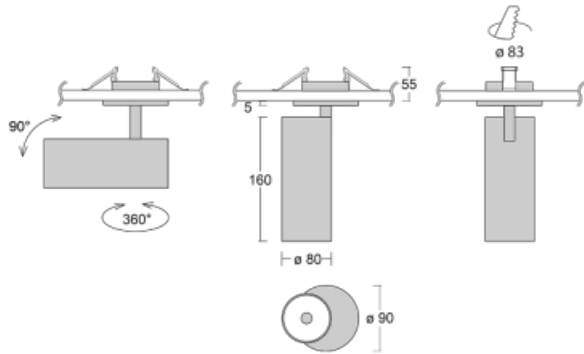
Marks

Code	Dimensions l/w/h (mm)	Power of the luminaire (W)	Luminous flux (lm)	Colour Temperature (K)	UGR
179-500F-10GDE/940, W	ø 80 × 180	10	1040	4000	-
179-500F-10GGE/940, W	ø 80 × 180	20.4	1970	4000	-

The indicated codes stand for a white luminaire with colour temperature of 4000K and with a medium-wide beam angle.

Notes	Beam angle	18, 25, 32, 52
	Colour of the luminaires	● ● ●
	Colour Temperature	3000 K warm white 4000 K cool white
	Optic system	Reflector
	Connection of the luminaires	ON/OFF DALI
	Ra	90

Luminaires come complete with all necessary accessories.

Vali80

Assembly

Light distribution

Energy class

energy_class_d energy_class_e

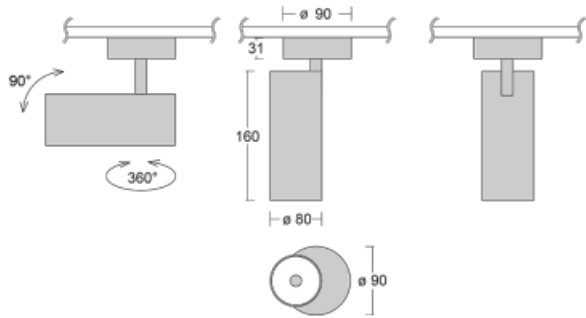
Marks

Code	Dimensions l/w/h (mm)	Power of the luminaire (W)	Luminous flux (lm)	Colour Temperature (K)	UGR
179-100F-10GDE/940, W	ø 80 × 160	10	1040	4000	-
179-100F-10GGE/940, W	ø 80 × 160	20.4	1970	4000	-

The indicated codes stand for a white luminaire with colour temperature of 4000K and with a medium-wide beam angle.

Notes	Beam angle	18, 25, 32, 52
	Colour of the luminaires	● ● ●
	Colour Temperature	3000 K warm white 4000 K cool white
	Optic system	Reflector
	Connection of the luminaires	ON/OFF DALI
	Ra	90

Luminaires come complete with all necessary accessories.

Vali80

Assembly

Light distribution

Energy class

energy_class_d energy_class_e energy_class_g

Marks

Code	Dimensions l/w/h (mm)	Power of the luminaire (W)	Luminous flux (lm)	Colour Temperature (K)	UGR
179-200F-10GDE/940, W	ø 80 × 160	10	1040	4000	-
179-200F-10GGE/940, S	ø 80 × 160	20.4	1970	4000	-

The indicated codes stand for a white luminaire with colour temperature of 4000K and with a medium-wide beam angle.

Notes	Beam angle	18, 25, 32, 52
	Colour of the luminaires	● ● ●
	Colour Temperature	3000 K warm white 4000 K cool white
	Optic system	Reflector
	Connection of the luminaires	ON/OFF DALI
	Ra	90

Luminaires come complete with all necessary accessories.

Accessories



Type of installation	Surface
Light distribution	Direct
Colour of the luminaires	Black, Silver, White
Colour Temperature	3000 K warm white, 4000 K cool white
Material	Aluminium
Light source	LED MODUL
MacAdam Light source	3
Connection of the luminaires	ON/OFF DALI
Lifetime	L90/B50 60 000 hours
Warranty	60 months

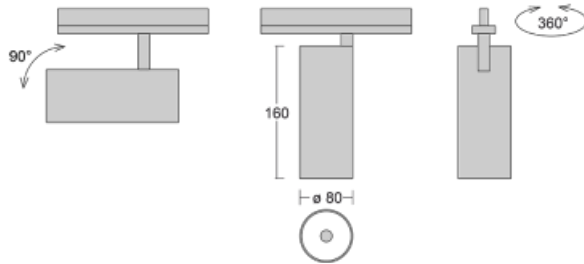
Family

Vali80-T

We have managed to minimize the dimensions of the Vali80-T luminaires while maintaining very good lighting parameters. We also managed to reduce the casing of the luminaire to 75% of the surface. The luminaires offer a direct type of light distribution, four different beam angles of 18°, 25°, 32°, 52° and replaceable reflectors as optional accessories. The luminaires will be used predominantly to illuminate commercial spaces, galleries or showrooms. The luminaires have been fitted with adapters for the 3-phase Global Track from Nordic Aluminium. Vali80-T uses light sources with a colour rendering index of Ra90, which helps to show the true colours of the illuminated objects.

Luminaire family variants Vali80-T



Vali80-T

Assembly

Light distribution


Energy class

energy_class_d energy_class_e

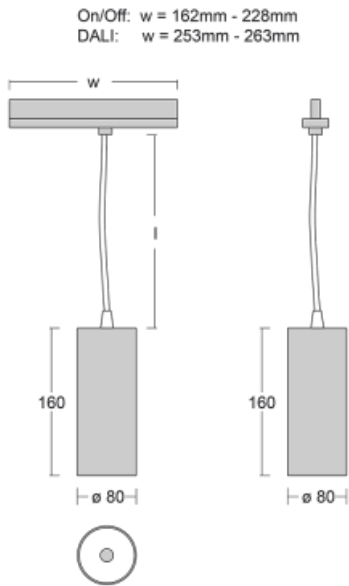
Marks

Code	Dimensions l/w/h (mm)	Power of the luminaire (W)	Luminous flux (lm)	Colour Temperature (K)	UGR
179-600F-10GDE/940, W	∅ 80 × 160	10	1040	4000	< 15
179-600F-10GGE/940, W	∅ 80 × 160	20.4	1990	4000	< 17.2
179-600F-10GHE/940, W	∅ 80 × 160	33	2970	4000	< 18.6

The indicated codes stand for a white luminaire with colour temperature of 4000K and with a medium-wide beam angle.

Notes	Beam angle	18, 25, 32, 52
	Colour of the luminaires	
	Colour Temperature	3000 K warm white 4000 K cool white
	Optic system	Reflector
	Connection of the luminaires	ON/OFF DALI
	Ra	90

Track luminaires come complete with Global Track adapters from Nordic Aluminium.

Vali80-T

Assembly

Light distribution


Energy class

energy_class_d energy_class_e

Marks

Code	Dimensions l/w/h (mm)	Power of the luminaire (W)	Luminous flux (lm)	Colour Temperature (K)	UGR
179-605F-10GDE/940, W	ø 80 × 160	10	1040	4000	-
179-605F-10GGE/940, W	ø 80 × 160	20.4	1970	4000	-
179-605F-10GHE/940, W	ø 80 × 160	33	2970	4000	-

The indicated codes stand for a white luminaire with colour temperature of 4000K and with a medium-wide beam angle.

Notes	Colour of the luminaires	
	Colour Temperature	3000 K warm white 4000 K cool white
	Optic system	Reflector
	Connection of the luminaires	ON/OFF DALI
	Ra	90

For pendant assembly, you must order a pendant set containing cables and a ceiling cup.

Accessories



Type of installation	3 circuit track
Light distribution	Direct
Colour of the luminaires	Black, Silver, White
Colour Temperature	3000 K warm white, 4000 K cool white
Material	Aluminium
Light source	LED MODUL
MacAdam Light source	2
Connection of the luminaires	ON/OFF DALI
Lifetime	L80/B10, L90/B50 50 000 hours
Warranty	60 months

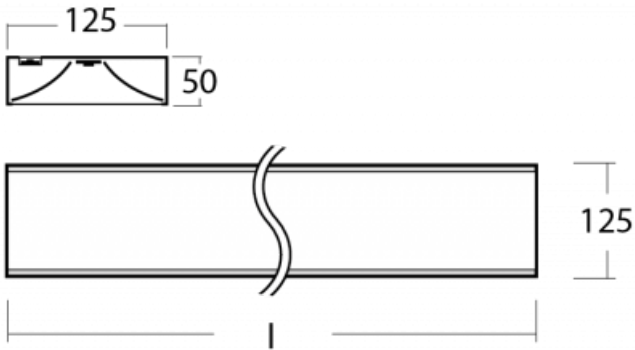
Family

Zuli

Do you remember the buzzing and flickering lights of your classroom? Fortunately these are long gone. Zuli pendant and surface-mounted LED luminaires ensure comfortable lighting in the classroom, offices and hospitals without these annoyances. These luminaires have direct or direct-indirect emission, with a choice of four lengths and microprism optics, grid and opal diffuser.

Luminaire family variants Zuli



Zuli

Assembly

Light distribution

Energy class

energy_class_g

Marks

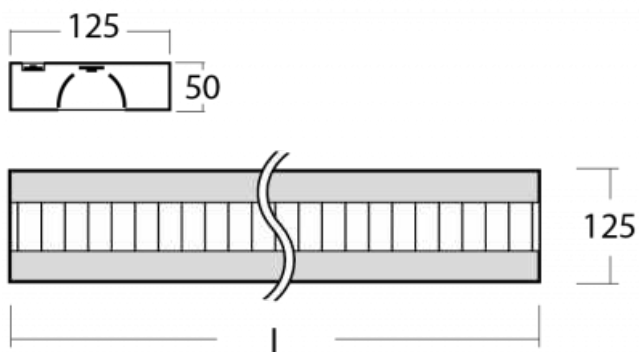
Code	Dimensions l/w/h (mm)	Power of the luminaire (W)	Luminous flux (lm)	Colour Temperature (K)	UGR
121-200K-20GEE/840, W	1145 × 125 × 50	21.4	3140	4000	< 23
121-200K-20GGE/840, W	1145 × 125 × 50	31.1	4310	4000	< 24.2
121-200K-25GEE/840, W	1425 × 125 × 50	26.8	3920	4000	< 23
121-200K-25GGE/840, W	1425 × 125 × 50	39.1	5390	4000	< 24.2
121-200K-30GEE/840, W	1705 × 125 × 50	32.1	4710	4000	-
121-200K-30GGE/840, W	1705 × 125 × 50	46.9	6470	4000	-
121-200K-40GEE/840, W	2265 × 125 × 50	42.8	6280	4000	-
121-200K-40GGE/840, W	2265 × 125 × 50	62.6	8630	4000	-

AnThese codes represent white luminaires with chromaticity temperature 4000K and opal diffuser.

Notes	Colour of the luminaires	● ● ●
	Colour Temperature	3000 K warm white 4000 K cool white
	Optic system	Microprisma Opal diffuser
	Connection of the luminaires	ON/OFF DALI ON/OFF + 1h emergency ON/OFF + 3h emergency
	Ra	80 90

Luminaires come complete with all necessary accessories.

Zuli



Assembly



Light distribution




Energy class

energy_class_g

Marks

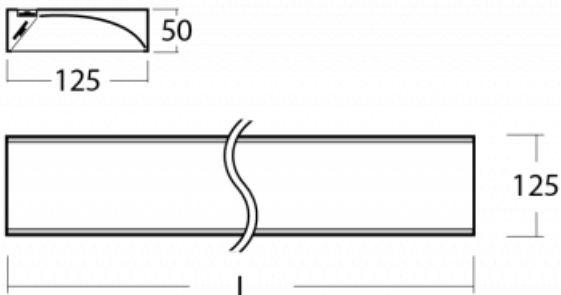
Code	Dimensions l/w/h (mm)	Power of the luminaire (W)	Luminous flux (lm)	Colour Temperature (K)	UGR
121-230M-20GEE/840, W	1145 × 125 × 50	24.6	2910	4000	< 16.5
121-230M-20GGE/840, W	1145 × 125 × 50	33.8	3780	4000	< 17.4
121-230M-25GEE/840, W	1425 × 125 × 50	30.7	3640	4000	< 16.5
121-230M-25GGE/840, W	1425 × 125 × 50	42.2	4730	4000	< 17.4
121-230M-30GEE/840, W	1705 × 125 × 50	36.9	4370	4000	< 16.5
121-230M-30GGE/840, W	1705 × 125 × 50	50.7	5670	4000	< 17.4
121-230M-40GEE/840, W	2276 × 125 × 50	49.2	5830	4000	< 16.5
121-230M-40GGE/840, W	2276 × 125 × 50	67.6	7560	4000	< 17.4

AnThese codes represent white luminaires with chromaticity temperature 4000K and optical aluminium louvre.

Notes	Colour of the luminaires	
	Colour Temperature	3000 K warm white 4000 K cool white
	Optic system	Matt parabolic louvre
	Connection of the luminaires	ON/OFF DALI
	Ra	80

Luminaires come complete with all necessary accessories.

Zuli



Assembly



Light distribution




Energy class

energy_class_g

Marks

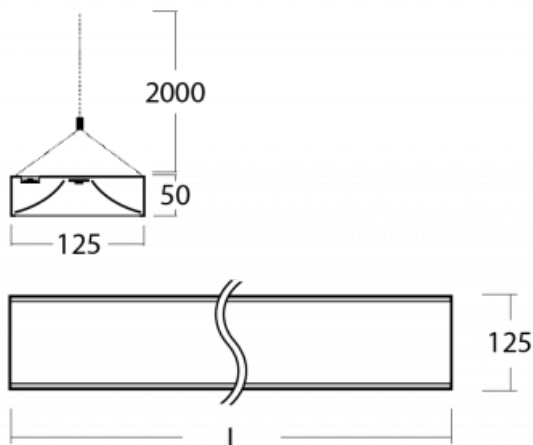
Code	Dimensions l/w/h (mm)	Power of the luminaire (W)	Luminous flux (lm)	Colour Temperature (K)	UGR
121-200D-20GEE/840, W	1145 × 125 × 50	24.1	2850	4000	-
121-200D-20GGE/840, W	1145 × 125 × 50	33.7	3770	4000	-
121-200D-25GEE/840, W	1425 × 125 × 50	30.1	3560	4000	-
121-200D-25GGE/840, W	1425 × 125 × 50	42.1	4710	4000	-

The indicated codes stand for a white luminaire with colour temperature of 4000K.

Notes	Colour of the luminaires	
	Colour Temperature	3000 K warm white 4000 K cool white
	Optic system	Asymmetric reflector
	Connection of the luminaires	ON/OFF DALI
	Ra	80

Luminaires come complete with all necessary accessories.

Zuli



Assembly



Light distribution




Energy class

energy_class_g

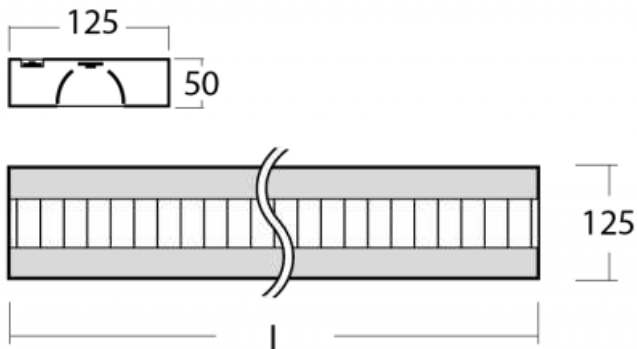
Marks

Code	Dimensions l/w/h (mm)	Power of the luminaire (W)	Luminous flux (lm)	Colour Temperature (K)	UGR
121-500K-20GEE/840, W	1145 × 125 × 50	21.4	3140	4000	< 23
121-500K-20GGE/840, W	1145 × 125 × 50	31.1	4310	4000	< 24.2
121-501K-20GEE/840, W	1145 × 125 × 50	32	4530	4000	< 20.6
121-501K-20GGE/840, W	1145 × 125 × 50	46.7	6220	4000	< 21.8
121-500K-25GEE/840, W	1425 × 125 × 50	26.8	3920	4000	< 23
121-500K-25GGE/840, W	1425 × 125 × 50	39.1	5390	4000	< 24.2
121-501K-25GEE/840, W	1425 × 125 × 50	42.8	6020	4000	< 20.3
121-501K-25GGE/840, W	1425 × 125 × 50	62.6	8260	4000	< 21.4
121-500K-30GEE/840, W	1705 × 125 × 50	32.1	4710	4000	-
121-500K-30GGE/840, W	1705 × 125 × 50	46.9	6470	4000	-
121-501K-30GEE/840, W	1705 × 125 × 50	53.5	7500	4000	-
121-501K-30GGE/840, W	1705 × 125 × 50	78.2	10300	4000	-
121-500K-40GEE/840, W	2265 × 125 × 50	42.8	6280	4000	-
121-500K-40GGE/840, W	2265 × 125 × 50	62.6	8630	4000	-
121-501K-40GEE/840, W	2265 × 125 × 50	74.9	10470	4000	-
121-501K-40GGE/840, W	2265 × 125 × 50	109.5	14370	4000	-

AnThese codes represent white luminaires with chromaticity temperature 4000K and opal diffuser.

Notes	Colour of the luminaires	
	Colour Temperature	3000 K warm white 4000 K cool white
	Optic system	Microprisma Opal diffuser
	Connection of the luminaires	ON/OFF DALI ON/OFF + 1h emergency Other type of dimming
	Ra	80

Luminaires come complete with all necessary accessories.

Zuli

Assembly

Light distribution

Energy class

energy_class_g

Marks

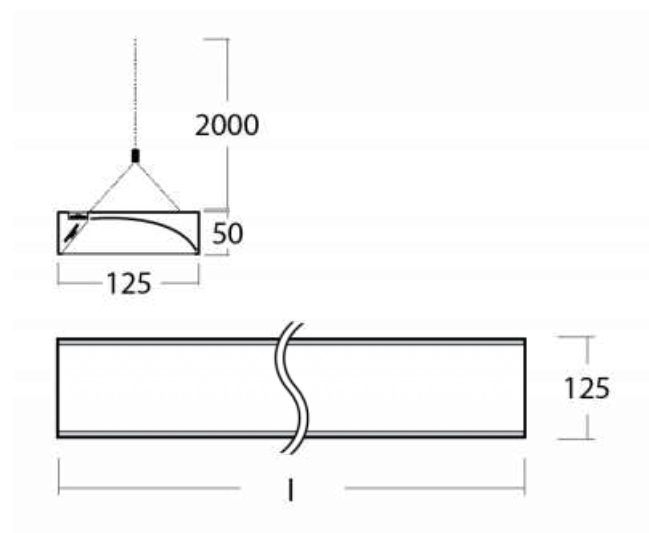
Code	Dimensions l/w/h (mm)	Power of the luminaire (W)	Luminous flux (lm)	Colour Temperature (K)	UGR
121-530M-20GEE/840, W	1145 × 125 × 50	24.6	2910	4000	< 16.5
121-531M-20GEE/840, W	1145 × 125 × 50	33.4	4300	4000	< 13.3
121-530M-20GGE/840, W	1145 × 125 × 50	33.8	3780	4000	< 17.4
121-531M-20GGE/840, W	1145 × 125 × 50	47.2	5780	4000	< 14
121-530M-25GEE/840, W	1425 × 125 × 50	30.7	3640	4000	< 16.5
121-530M-25GGE/840, W	1425 × 125 × 50	42.2	4730	4000	< 17.4
121-531M-25GEE/840, W	1425 × 125 × 50	44.5	5780	4000	< 12.9
121-531M-25GGE/840, W	1425 × 125 × 50	62.9	7770	4000	< 14
121-530M-30GEE/840, W	1705 × 125 × 50	36.9	4370	4000	< 16.5
121-530M-30GGE/840, W	1705 × 125 × 50	50.7	5670	4000	< 17.4
121-531M-30GEE/840, W	1705 × 125 × 50	55.6	7260	4000	< 12.7
121-531M-30GGE/840, W	1705 × 125 × 50	78.6	9760	4000	< 13.7
121-530M-40GEE/840, W	2276 × 125 × 50	49.2	5830	4000	< 16.5
121-530M-40GGE/840, W	2276 × 125 × 50	67.6	7560	4000	< 17.4
121-531M-40GEE/840, W	2276 × 125 × 50	77.8	10230	4000	< 12.4
121-531M-40GGE/840, W	2276 × 125 × 50	110	13740	4000	< 13.5

AnThese codes represent white luminaires with chromaticity temperature 4000K and optical aluminium louvre.

Notes	Colour of the luminaires	● ● ●
	Colour Temperature	3000 K warm white 4000 K cool white 2700 K - 6500 K Tunable White
	Optic system	Matt parabolic louvre
	Connection of the luminaires	ON/OFF DALI DALI DT8
	Ra	80 90

Luminaires come complete with all necessary accessories.


Zuli



Assembly	Light distribution
Energy class	Marks
energy_class_g	

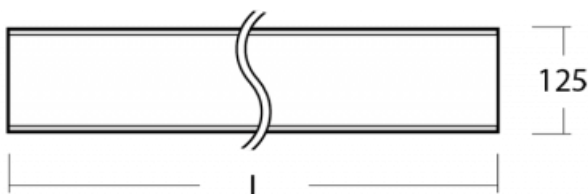
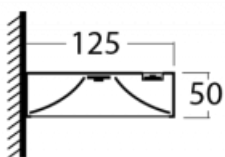
Code	Dimensions l/w/h (mm)	Power of the luminaire (W)	Luminous flux (lm)	Colour Temperature (K)	UGR
121-500D-20GEE/840, W	1145 × 125 × 50	24.1	2850	4000	-
121-500D-20GGE/840, W	1145 × 125 × 50	33.7	3770	4000	-
121-501D-20GEE/840, W	1145 × 125 × 50	36.1	4420	4000	-
121-501D-20GGE/840, W	1145 × 125 × 50	50.6	5840	4000	-
121-500D-25GEE/840, W	1425 × 125 × 50	30.1	3560	4000	-
121-500D-25GGE/840, W	1425 × 125 × 50	42.1	4710	4000	-
121-501D-25GEE/840, W	1425 × 125 × 50	48.2	5920	4000	-
121-501D-25GGE/840, W	1425 × 125 × 50	67.4	7820	4000	-

The indicated codes stand for a white luminaire with colour temperature of 4000K.

Notes	Colour of the luminaires	
	Colour Temperature	3000 K warm white 4000 K cool white
	Optic system	Asymmetric reflector
	Connection of the luminaires	ON/OFF DALI
	Ra	80

Luminaires come complete with all necessary accessories.

Zuli



Assembly



Light distribution



Energy class

energy_class_g

Marks

Code	Dimensions l/w/h (mm)	Power of the luminaire (W)	Luminous flux (lm)	Colour Temperature (K)	UGR
121-301K-10GEE/840, W	590 × 125 × 50	16.2	2120	4000	< 18.1
121-301K-10GGE/840, W	590 × 125 × 50	26.6	3330	4000	< 19.7
121-301K-10GHE/840, W	590 × 125 × 50	40.6	4830	4000	< 21
121-301K-15GEE/840, W	865 × 125 × 50	24.2	3180	4000	< 18.2
121-301K-15GGE/840, W	865 × 125 × 50	39.7	4990	4000	< 19.8
121-301K-15GHE/840, W	865 × 125 × 50	60.9	7250	4000	< 21.1

AnThese codes represent white luminaires with chromaticity temperature 4000K and opal diffuser.

Notes	Colour of the luminaires	
	Colour Temperature	3000 K warm white 4000 K cool white
	Optic system	Microprisma Opal diffuser
	Connection of the luminaires	ON/OFF DALI ON/OFF + 1h emergency ON/OFF + 3h emergency
	Ra	80

Luminaires come complete with all necessary accessories.

Accessories



Type of installation	Wall mounted
Light distribution	Direct-indirect
Colour of the luminaires	Black, Silver, White
Colour Temperature	3000 K warm white, 4000 K cool white
Material	Aluminium
Light source	LED MODUL
MacAdam Light source	2
Connection of the luminaires	ON/OFF DALI ON/OFF + 1h emergency ON/OFF + 3h emergency
Lifetime	L80/B20, L80/B10 50 000 hours
Warranty	60 months

Family

Zuli-S

We realize that there is beauty in simplicity, so we have created our Zuli-S system luminaire. The Zuli-S luminaire is based on the timeless shape that everyone has known for many years. The luminaires come with a very efficient LED light source, thanks to which the luminaires have a very high economical and, last but not least, ecological value, as they require a relatively small amount of energy. Zuli-S luminaires can be fitted with a parabolic louver made of polished aluminium sheet or an opal diffuser.

Luminaire family variants Zuli-S



Zuli-S
Assembly

Light distribution

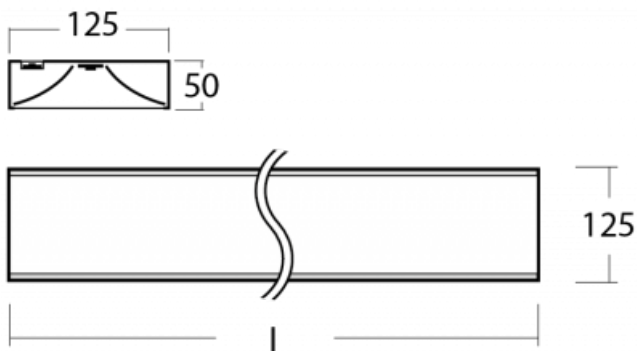
Energy class

energy_class_g

Marks

Notes	Colour of the luminaires	● ● ●
	Colour Temperature	3000 K warm white 4000 K cool white
	Optic system	Matt parabolic louvre
	Connection of the luminaires	ON/OFF DALI
	Ra	80

Luminaires come in parts. Their codes are specified in the description of the specific type of luminaire.

Zuli-S

Assembly

Light distribution


Energy class

energy_class_g

Marks

Code	Dimensions l/w/h (mm)	Power of the luminaire (W)	Luminous flux (lm)	Colour Temperature (K)	UGR
121S-200K-20GEE/840, W	1135 × 125 × 50	21.4	3140	4000	-
121S-500K-20GEE/840, W	1135 × 125 × 50	21.4	3140	4000	-
121S-200K-20GGE/840, W	1135 × 125 × 50	31.1	4310	4000	-
121S-500K-20GGE/840, W	1135 × 125 × 50	31.1	4310	4000	-
121S-501K-20GEE/840, W	1135 × 125 × 50	32	4530	4000	-
121S-501K-20GGE/840, W	1135 × 125 × 50	46.7	6220	4000	-
121S-200K-25GEE/840, W	1415 × 125 × 50	26.8	3920	4000	-
121S-500K-25GEE/840, W	1415 × 125 × 50	26.8	3920	4000	-
121S-200K-25GGE/840, W	1415 × 125 × 50	39.1	5390	4000	-
121S-500K-25GGE/840, W	1415 × 125 × 50	39.1	5390	4000	-
121S-501K-25GEE/840, W	1415 × 125 × 50	42.8	6020	4000	-
121S-501K-25GGE/840, W	1415 × 125 × 50	62.6	8260	4000	-
121S-200K-30GEE/840, W	1695 × 125 × 50	32.1	4710	4000	-
121S-500K-30GEE/840, W	1695 × 125 × 50	32.1	4710	4000	-
121S-200K-30GGE/840, W	1695 × 125 × 50	46.9	6470	4000	-
121S-500K-30GGE/840, W	1695 × 125 × 50	46.9	6470	4000	-
121S-501K-30GEE/840, W	1695 × 125 × 50	53.5	7500	4000	-
121S-501K-30GGE/840, W	1695 × 125 × 50	78.2	10300	4000	-
121S-200K-40GEE/840, W	2255 × 125 × 50	42.8	6280	4000	-
121S-500K-40GEE/840, W	2255 × 125 × 50	42.8	6280	4000	-
121S-200K-40GGE/840, W	2255 × 125 × 50	62.6	8630	4000	-
121S-500K-40GGE/840, W	2255 × 125 × 50	62.6	8630	4000	-
121S-501K-40GEE/840, W	2255 × 125 × 50	74.9	10470	4000	-
121S-501K-40GGE/840, W	2255 × 125 × 50	109.5	14370	4000	-

AnThese codes represent white luminaires with chromaticity temperature 4000K and opal diffuser.

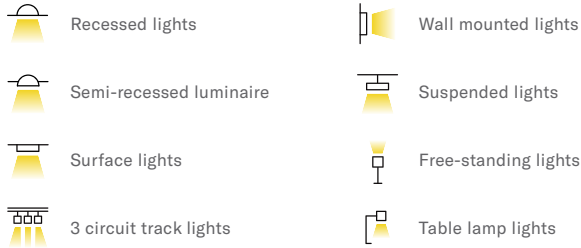
Notes	Colour of the luminaires	
	Colour Temperature	3000 K warm white 4000 K cool white
	Optic system	Microprisma Opal diffuser
	Connection of the luminaires	ON/OFF DALI ON/OFF + 1h emergency
	Ra	80

Luminaires come in parts. Their codes are specified in the description of the specific type of luminaire.

Accessories

Legend

Type of installation



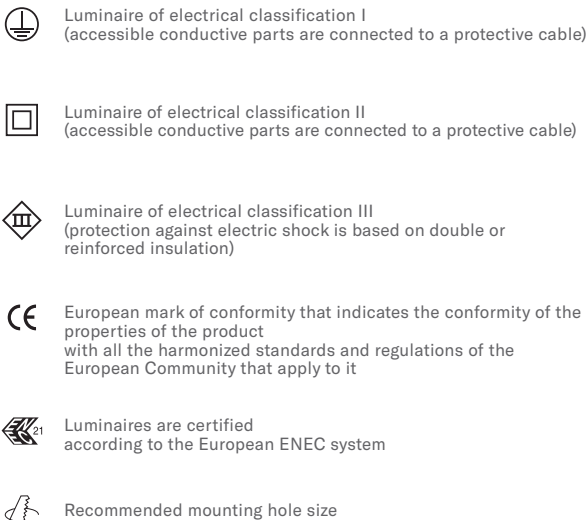
Light distribution



Light source



Marks



IPxy IP code indicating the degree of protection of live parts

EAC Eurasian Conformity

11S-501I-20GGE/840, W

11S-501I-20GGE/840, W

11S-501I-20GGE/840, W

11S-501I-20GGE/840, W

Optic system

Electrical connection

Colour












Optic system

B	Microprismatic system, low UGR	L	Plain aluminium reflector
C	Clear cover	M	Matt parabolic louvre
D	Asymmetric reflector	S	SPOT - narrow angle
E	Polished parabolic louvre, high LOR	U	MEDIUM - middle angle
F	FLOOD - wide angle	W	Wide beam angle
I	Microprismatic optical system	Z	Plastic louvre, low UGR
K	Opal diffuser		

Electrical connection


/BT	Luminaires controlled via Bluetooth technology	P	Sensor and electronic ballast
D	DALI dimmable	T	By switch dimmable (touch dimm)
E	Electronic ballast non-dimmable	TD	DALI or by switch (touch dimm) dimmable
M	Electronic ballast non-dimmable with 1h emergency	U	Dimmable luminaire with dimmer on the luminaire
M3	Electronic ballast non-dimmable with 3h emergency		

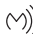
Colour

W	 RAL 9003	B	 RAL 9005	S	 TIGER 09/90530
1021	 RAL 1021	2000	 RAL 2000	3020	 RAL 3020
5015	 RAL 5015	6018	 RAL 6018	7016	 RAL 7016
9006	 RAL 9006	9010	 RAL 9010		

Značky typu

 Smart – Luminaire or the lighting system controlled by motion, daylight or via smart devices using Bluetooth technology

 Acoustic – Luminaire with acoustic absorption properties which reduce disturbing noise and improve the acoustics of the room

 Multiwatt – Luminaires with individually adjustable luminous flux using a special antenna or mobile application

UGR UGR – The luminaire suitable for office spaces